

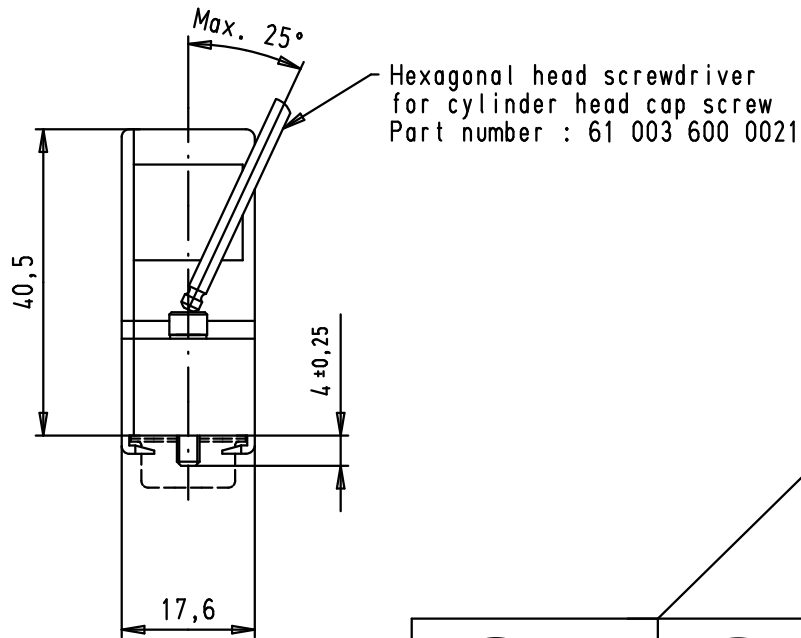
5

4

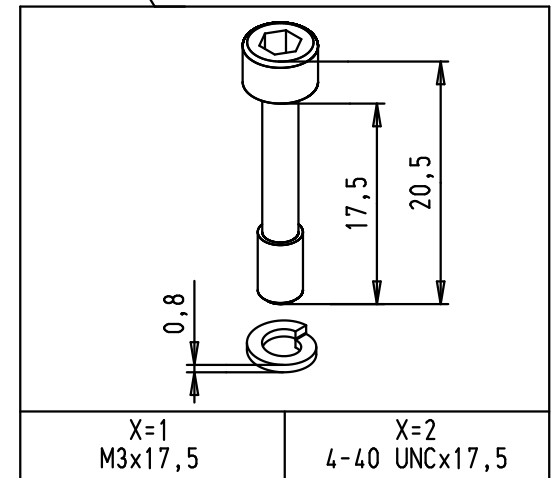
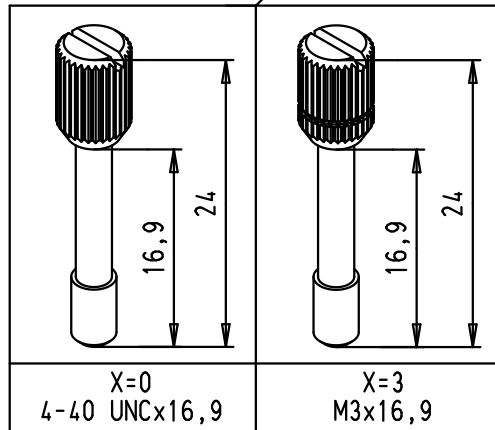
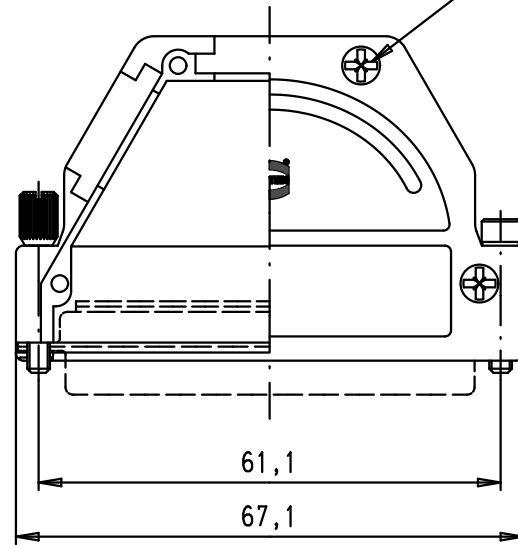
3

2

1



Cover screws (x4)  
M2,5x6,5  
Type Z posidriv  
Screwdriver head #1



NOTA :Full metal hood made  
with zinc diecast

61 03 001 X019

61 03 001 3019

61 03 001 0019

61 03 001 2019

61 03 001 1019

Part number

Knurled thumb screw

Cylinder socket head cap screw  
with spring washer [2,6 DIN 127B]

Screw type

M3 x 16,9

4-40 UNC x 16,9

4-40 UNC x 17,5

M3 x 17,5

screw size

Mod.

Dot.

Name

Dot.

Name

Detail.

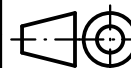
Insp.

Stand.

14/08/03

STRAUCH

HARTING Electronics GmbH & Co. KG  
D-32339 ESPELKAMP



All Dim. in mm  
Orig. Size DIN A 4



INDUCOM - 50 poles, full metal hood  
for D-Sub, angled/straight  
cable entry

TB 61 03 001 X019

Sub.

Maßstab/  
Scale

1:1

Blatt/ Page

1 / 1

# Mouser Electronics

Authorized Distributor

Click to View Pricing, Inventory, Delivery & Lifecycle Information:

[HARTING:](#)

[61030011019](#) [61030012019](#) [61030013019](#) [61030010019](#)