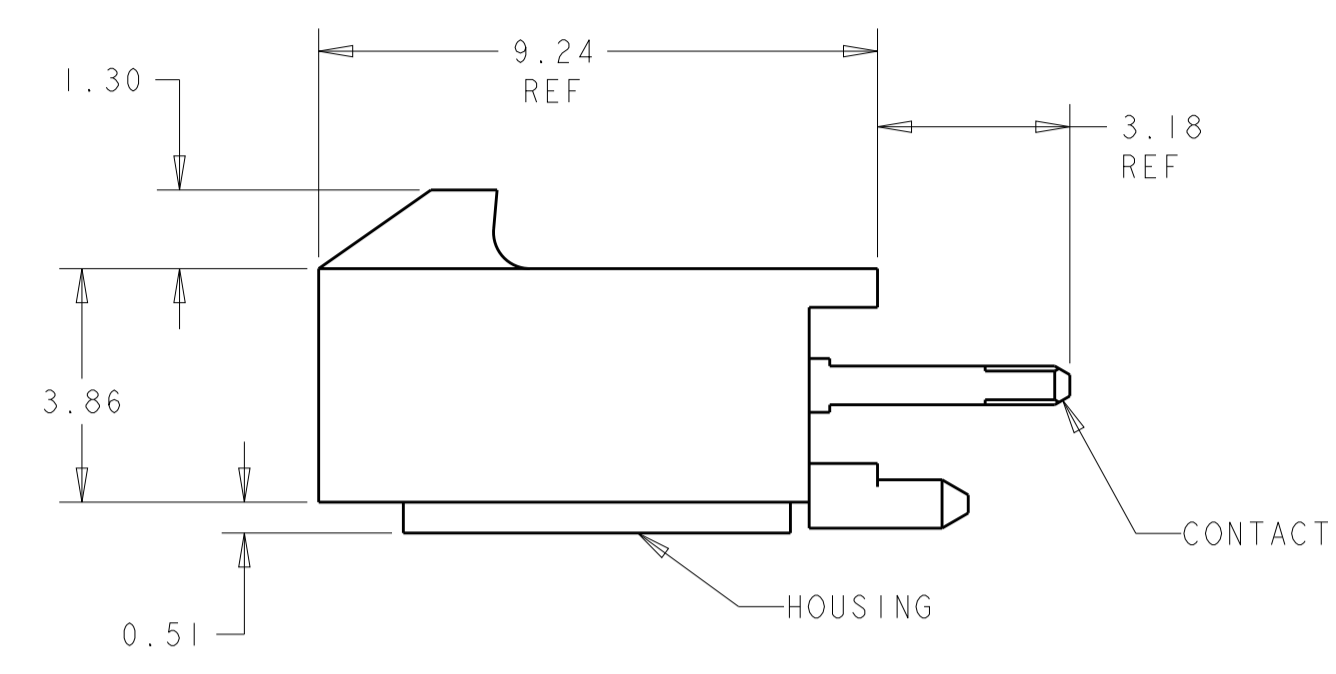
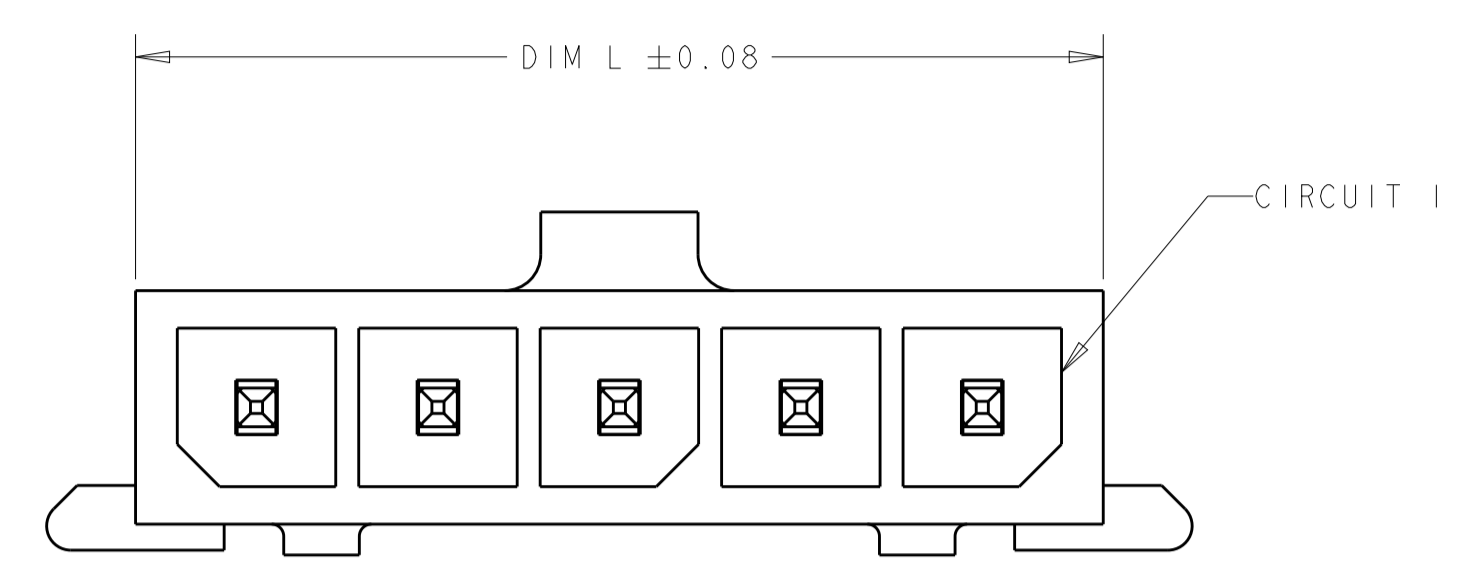
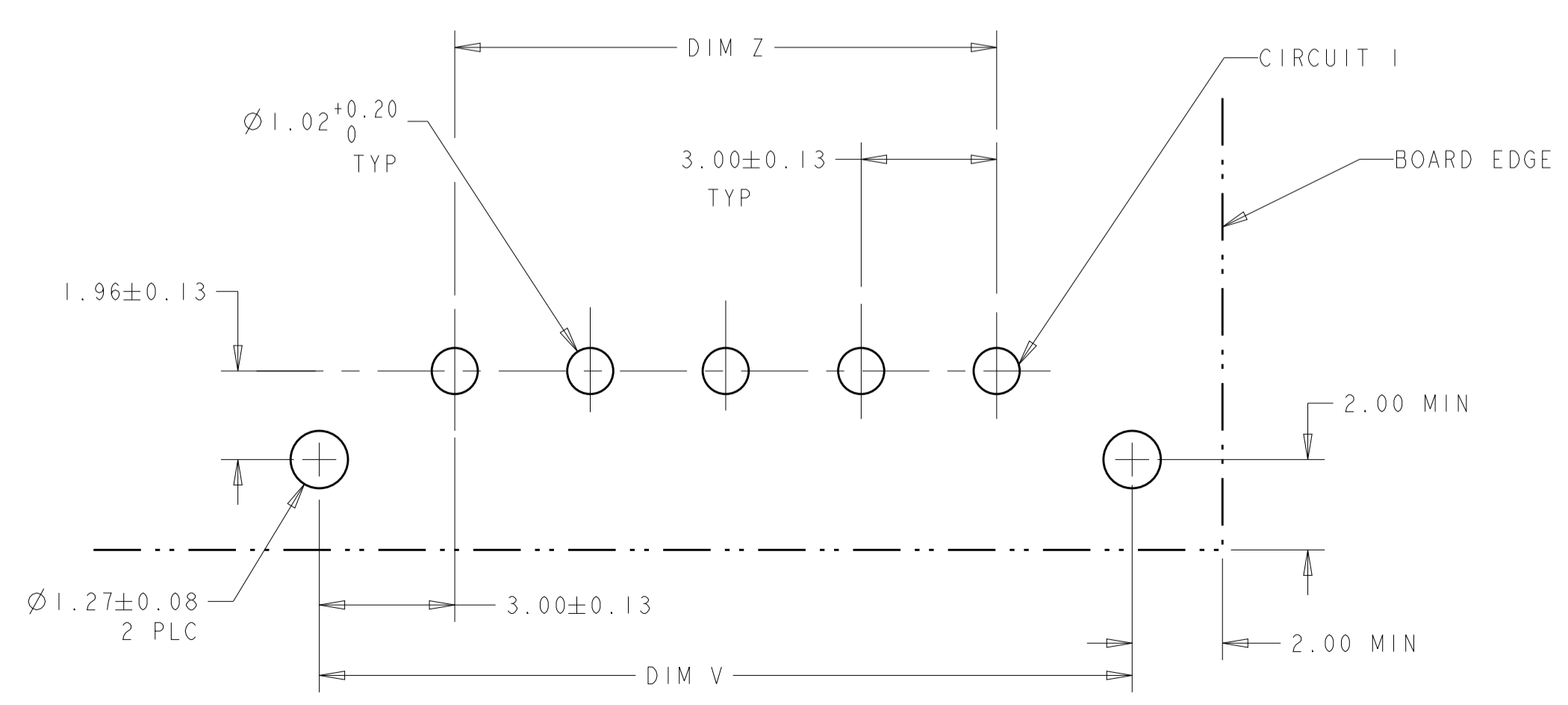
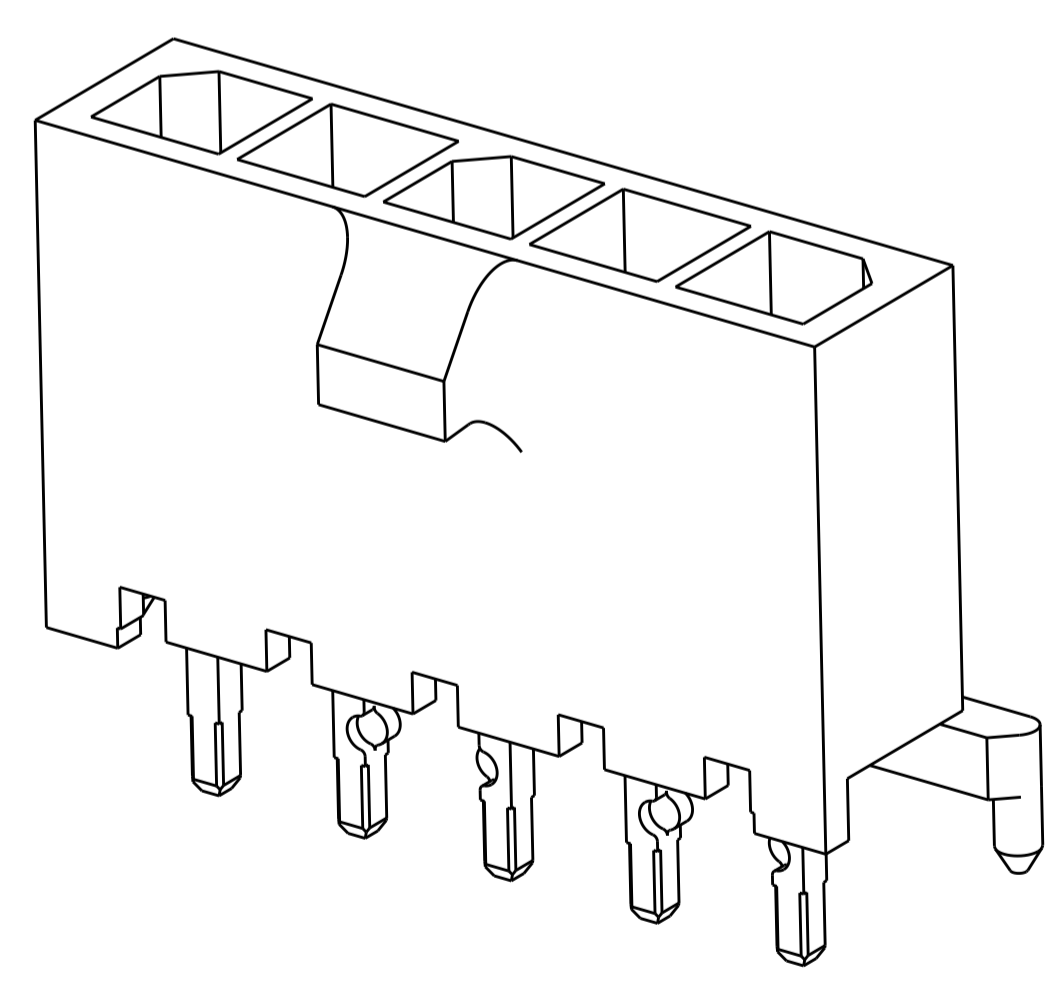
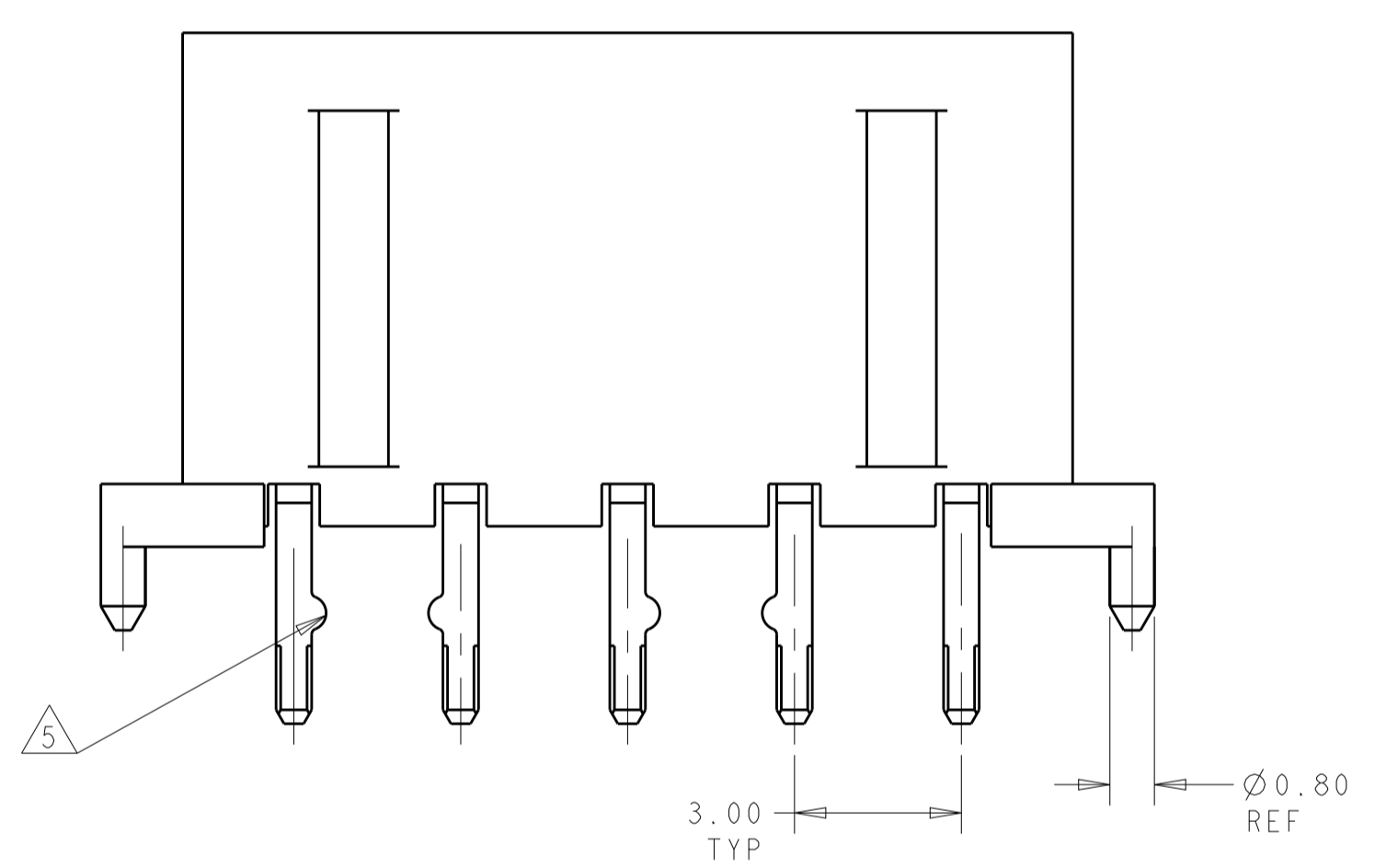


REVISIONS				
P.	LTN	DESCRIPTION	DATE	APP'D
B2		REVISED PER ECR-16-011494	20JUN2017	NK CX
B3		REVISED PER ECR-16-017083	29DEC2017	C.X D.Z



- 1 MATERIAL: CONTACTS - BRASS
HOUSING - UL 94V-0 RATED HIGH TEMP NYLON, COLOR BLACK.
- 2 PLATING: CONTACTS - 0.76µm MINIMUM GOLD ON MATING END,
2.54µm MINIMUM TIN LEAD ON SOLDER TAILS, BOTH OVER
1.27µm MINIMUM NICKEL.
- 4 RECOMMENDED PC BOARD THICKNESS OF 1.57.
- 5 RETENTION BUMP FEATURES FACE EACH OTHER, TYPICAL
ALL CONFIGURATIONS.
- 6 PLATING: CONTACTS - 0.76µm MINIMUM GOLD ON MATING END,
2.54µm MINIMUM MATTE TIN ON SOLDER TAILS, BOTH OVER
1.27µm MINIMUM NICKEL.



PCB LAYOUT COMPONENT SIDE 4

FINISH	CON W/RET BUMP	POS	DIM Z	DIM V	DIM L	NO. OF POSN	PART NUMBER
6		12,11,2,1	33.00	39.14	37.00	12	3-1445093-2
6		11,10,3,2	30.00	36.14	34.00	11	3-1445093-1
6		10,9,2,1	27.00	33.14	31.00	10	3-1445093-0
6		9,8,3,2	24.00	30.14	28.00	9	2-1445093-9
6		8,7,2,1	21.00	27.14	25.00	8	2-1445093-8
6		7,6,3,2	18.00	24.14	22.00	7	2-1445093-7
6		6,5,2,1	15.00	21.14	19.00	6	2-1445093-6
6		5,4,3,2	12.00	18.14	16.00	5	2-1445093-5
6		4,3,2,1	9.00	15.14	13.00	4	2-1445093-4
6		3,2	6.00	12.14	10.00	3	2-1445093-3
6		2,1	3.00	9.14	7.00	2	2-1445093-2

SUPERSEDED BY 3-1445093-2	2	12,11,2,1	33.00	39.14	37.00	12	1445093-2
SUPERSEDED BY 3-1445093-1	2	11,10,3,2	30.00	36.14	34.00	11	1445093-1
SUPERSEDED BY 3-1445093-0	2	10,9,2,1	27.00	33.14	31.00	10	1445093-0
SUPERSEDED BY 2-1445093-9	2	9,8,3,2	24.00	30.14	28.00	9	1445093-9
SUPERSEDED BY 2-1445093-8	2	8,7,2,1	21.00	27.14	25.00	8	1445093-8
SUPERSEDED BY 2-1445093-7	2	7,6,3,2	18.00	24.14	22.00	7	1445093-7
SUPERSEDED BY 2-1445093-6	2	6,5,2,1	15.00	21.14	19.00	6	1445093-6
SUPERSEDED BY 2-1445093-5	2	5,4,3,2	12.00	18.14	16.00	5	1445093-5
SUPERSEDED BY 2-1445093-4	2	4,3,2,1	9.00	15.14	13.00	4	1445093-4
SUPERSEDED BY 2-1445093-3	2	3,2	6.00	12.14	10.00	3	1445093-3
SUPERSEDED BY 2-1445093-2	2	2,1	3.00	9.14	7.00	2	1445093-2

THIS DRAWING IS A CONTROLLED DOCUMENT.		DWN J.ROOT 10OCT2000		TE Connectivity	
DIMENSIONS: mm		CHK K.WHITAKER 17-APR-2001			
TOLERANCES UNLESS OTHERWISE SPECIFIED:		APVD C. JONES 17-APR-2001		NAME	
0 PLC ±	1 PLC ±0.20	PRODUCT SPEC		VERTICAL THRU HOLE HEADER ASSY.	
2 PLC ±	3 PLC ±	APPLICATION SPEC		0.76 MIC GOLD CONTACTS, W/PCB PLZN	
4 PLC ±	ANGLES ±	WEIGHT		FEATURE, SGL ROW, MICRO MATE-N-LOK(TM)	
MATERIAL	FINISH	SIZE CAGE CODE DRAWING NO		RESTRICTED TO	
		A100779C=1445093			
CUSTOMER DRAWING		SCALE 8:1		SHEET 1 OF 1 REV B3	

Mouser Electronics

Authorized Distributor

Click to View Pricing, Inventory, Delivery & Lifecycle Information:

[TE Connectivity:](#)

[2-1445093-3](#)