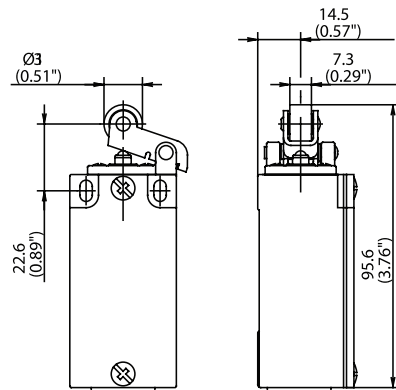


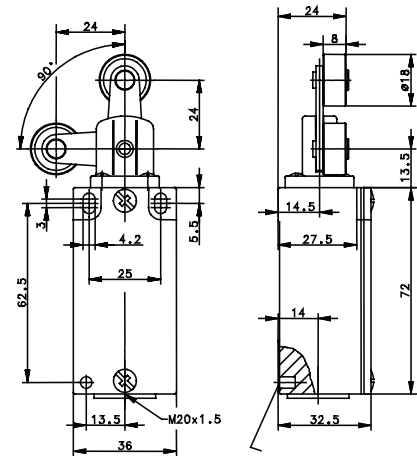
GC Series



HIW



DR



Switching Operation	Slow Action	Snap Action	Slow Action	Snap Action
1 NC / 1 NO Contacts	602.1120.057 GC-U1Z HIW 	602.1370.629 GC-SU1Z HIW 	-	602.1191.099 GC-SU1Z DR
2 NC Contacts	602.1820.175 GC-A2Z HIW 	-	-	-
2 NO Contacts	602.1820.157 GC-E2 HIW 	-	-	-
1 NC / 1 NO Contacts Overlapping	602.1320.058 GC-UV1Z HIW 	-	-	-

Replacement actuator: **391.2200.552** **391.2410.593**

Technical Information	Slow Action	Snap Action	Slow Action	Snap Action
Maximum Switching Voltage	240V	240V	240V	240V
Max. Switching Amps (up to)*	10A	10A	10A	10A
B10d (up to)*	20 Million	20 Million	20 Million	20 Million
Mechanical Service Life (up to)*	3 x 10 ⁶	10 x 10 ⁶	10 x 10 ⁶	10 x 10 ⁶
Switching Frequency	≤ 100/min	≤ 100/min	≤ 100/min	≤ 100/min
Operating Temperature	-30 °C to +80 °C	-30 °C to +80 °C	-30 °C to +80 °C	-30 °C to +80 °C
Protection Rating	IP65	IP65	IP65	IP65
Utilization Category (up to)*	AC-15, Ue/Ue 240V 3A	AC-15, Ue/Ue 240V 3A	AC-15, Ue/Ue 240V 3A	AC-15, Ue/Ue 240V 3A
Rate Insulation Voltage	400VAC	400VAC	400VAC	400VAC

* Depending on switching system - see technical information for details



Special features/variants (on request)

- Available with different actuator directions, steel roller and additional contacts:
2 NC / 1 NO overlapping contact (larger enclosure)
2 NC / 2 NO contact (larger enclosure)

Drawing dimensions in mm

Mouser Electronics

Authorized Distributor

Click to View Pricing, Inventory, Delivery & Lifecycle Information:

[Altech:](#)

[602.1191.099](#) [602.1370.629](#) [602.1820.157](#) [602.1120.057](#) [602.1320.058](#)