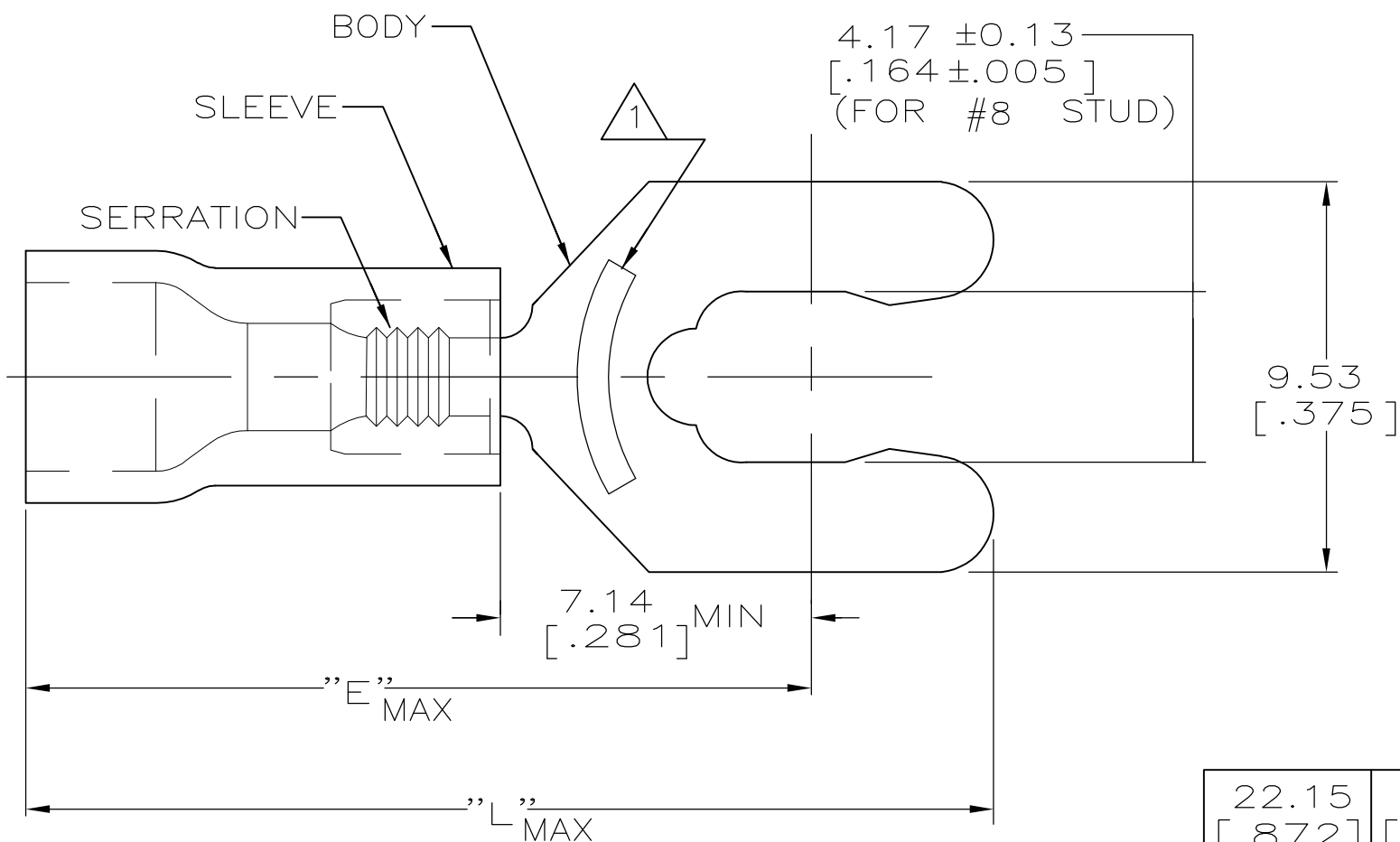


THIS DRAWING IS UNPUBLISHED. RELEASED FOR PUBLICATION  
 © COPYRIGHT - By - ALL RIGHTS RESERVED.

LOC	DIST	REVISIONS					
G	14	P	LTR	DESCRIPTION	DATE	DWN	APVD
		M1		REVISED PER ECO-11-004917	11MAR11	RK	HMR

<b>AMP</b> WIRE RANGE	Listed FILE E13288	LR7189 Certified
22-16 AWG SOLID OR STRANDED	22-16 AWG SOLID OR STRANDED	22-16 AWG SOLID OR STRANDED



- 1. STAMP 8S AMP 22-18\* APPROX AS SHOWN  
22-16 TERMINALS ARE STAMPED 22-18 IN  
ACCORDANCE WITH MILITARY SPEC MIL-T-7928  
COMMERCIAL WIRE RANGE IS 22-16
- 2. SEE TABLE FOR WIRE INSUL DIA
- 3. TONGUE MATL THK, 0.79±0.05 [.031±.002]
- 4. MATERIAL: BODY - BRASS PER ASTM B36  
SLEEVE - PVC, COLOR - RED

22.15 [.872]	17.70 [.697]	2.67-3.56 [.105-.140]	100	LOOSE PIECE, BOX	8-52950-1
23.39 [.921]	18.95 [.746]	3.81-5.08 [.150-.200]	2500	ON TAPE, REEL	52950-3
23.39 [.921]	18.95 [.746]	3.81-5.08 [.150-.200]	1000	LOOSE PIECE	52950-2
22.15 [.872]	17.70 [.697]	2.67-3.56 [.105-.140]	5000	ON TAPE, REEL	52950-1
22.15 [.872]	17.70 [.697]	2.67-3.56 [.105-.140]	1000	LOOSE PIECE	52950
L	E	WIRE INSUL DIA	QTY	PACKAGE TYPE	PART NO

**AMP INCORPORATED  
CUSTOMER SERVICE SYSTEMS**

FOR ADDITIONAL PRODUCT INFORMATION OR COPIES OF DRAWINGS AND TECHNICAL DOCUMENTS: PRODUCT INFORMATION CENTER 1-800-522-6752

FOR APPLICATION TOOLING ASSISTANCE CENTER: TOOLING INFORMATION 1-800-722-1111

FOR ORDER ENTRY: 1-800-526-5142

MAX RECOMMENDED OPERATING TEMPERATURE: 105°C [221°F]

VOLTAGE RATING: 600V MAX (1000V FIXTURE OR SIGN)

CIRCULAR MIL AREA: 0.26-1.65mm² [509-3260] SOLID OR STRANDED

THIS DRAWING IS A CONTROLLED DOCUMENT FOR AMP INCORPORATED. IT IS SUBJECT TO CHANGE AND THE CONTROLLING ENGINEERING ORGANIZATION SHOULD BE CONTACTED FOR THE LATEST REVISION.

THIS DRAWING IS A CONTROLLED DOCUMENT.

DIMENSIONS: mm [INCHES]

TOLERANCES UNLESS OTHERWISE SPECIFIED:

0 PLC ± -  
1 PLC ± -  
2 PLC ± 0.20 [.008]  
3 PLC ± -  
4 PLC ± -  
ANGLES ± -

MATERIAL: TIN PER ASTM B545

DWN L OLMEDA 26JUN95  
CHK M ELLIS 26JUN95  
APVD G NGO 26JUN95

**STE** TE Connectivity

NAME: TERMINAL, SPRING SPADE, SHORT, PLASTI-GRIP, WIRE SIZE: 22-16

PRODUCT SPEC: UL 486A

APPLICATION SPEC: -

WEIGHT: -

SIZE: A3 CAGE CODE: 00779 DRAWING NO: C-52950 RESTRICTED TO: -

CUSTOMER DRAWING SCALE: 6:1 SHEET: 1 OF 1 REV: M1

# Mouser Electronics

Authorized Distributor

Click to View Pricing, Inventory, Delivery & Lifecycle Information:

[TE Connectivity:](#)

[52950](#)