



Vertical

#### Typical Specifications

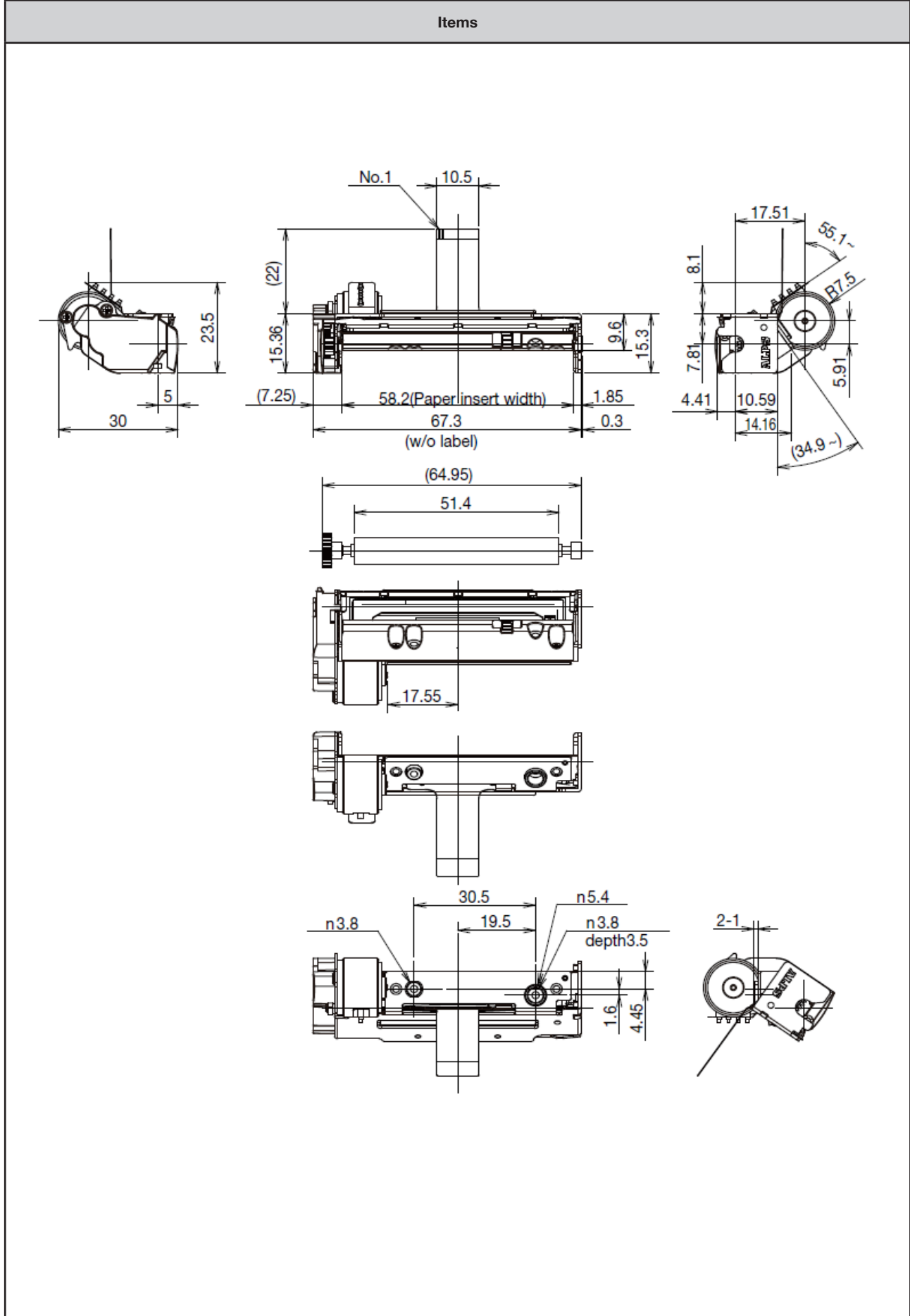
Items	Specifications
Paper setting	Easy loading
Printing method	Line thermal

#### Specifications

Items		Specifications
Number of dots per line		384 dots
Density of dot	Horizontal density	8 dots/mm
	Dot pitch	0.125mm
	Vertical density	8 (16) dots/mm
	Paper feed pitch	0.125mm/2 steps
Printing speed	Max speed	90mm/s
Printing width		48mm
Paper width		58mm+0-1
Paper thickness		-
Pulling force		0.49N (50gf) or more
Holding force		0.98N (100gf) or more
Sensor	Head temp. sensor	No
	Lock sensor	No
	Paper sensor	Reflective photo interrupter
Operating voltage	Head and motor drive	4.2V to 9.5V
	Head logic	2.7V to 5.25V
Current consumption	Head drive	3.3A/Head
	Motor drive	300mA/Phase
	Head logic	24mA (at 5V)
Temperature	Print quality	0 to 40°C
	Operating	-5 to 50°C
	Storage	-25 to 70°C
Head life	Abrasion resistance	50km
	Pulse activation	100Mil pulses
Mechanical dimensions	Width (W)	67.6
	Depth (D)	23.5
	Height (H)	30.0
Weight		approx. 34g
Recommended paper		Nippon Paper TF50KS-E2(Blumberg TF 00 2200)
Platen cover		No
Release lever		No
(Head) Pressed by		Plate spring
FPC location		Center
Motor diameter		φ 15
Motor resistance		10Ω
Head resistance		200Ω

**Dimensions**

Unit:mm



# Mouser Electronics

Authorized Distributor

Click to View Pricing, Inventory, Delivery & Lifecycle Information:

[ALPS:](#)

[PTMBL1E](#)