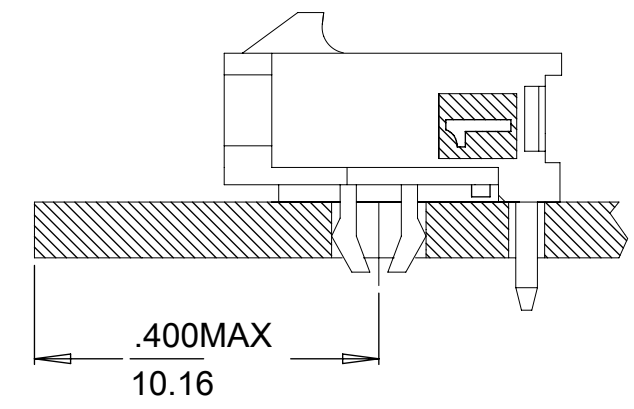
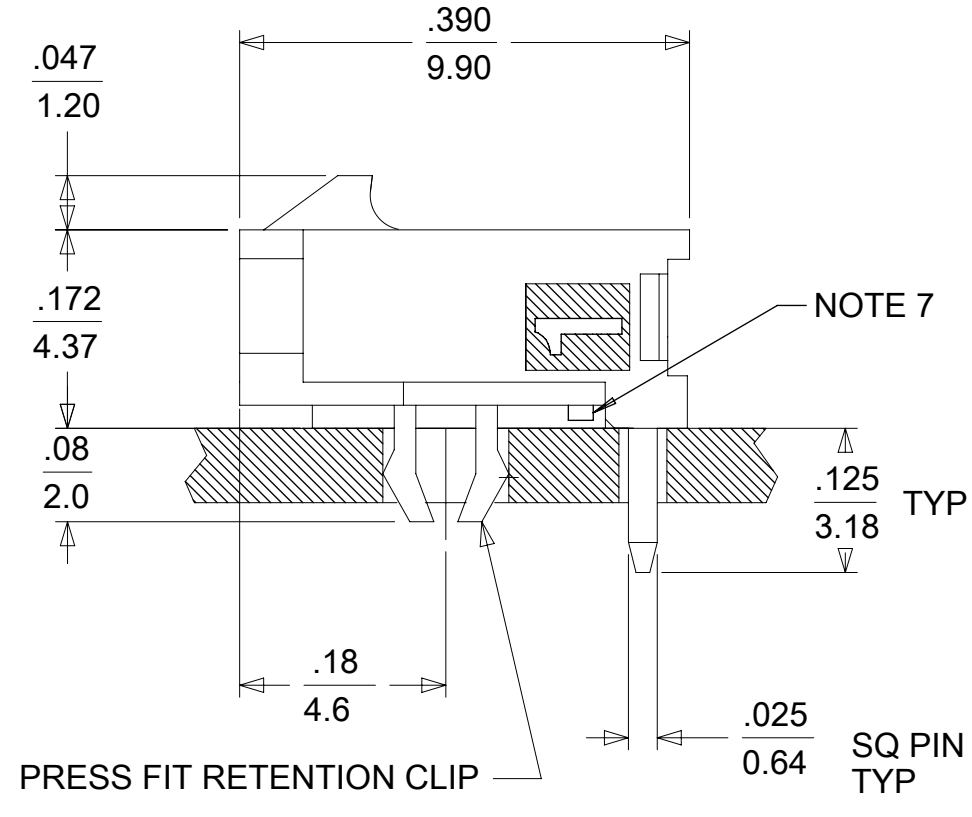
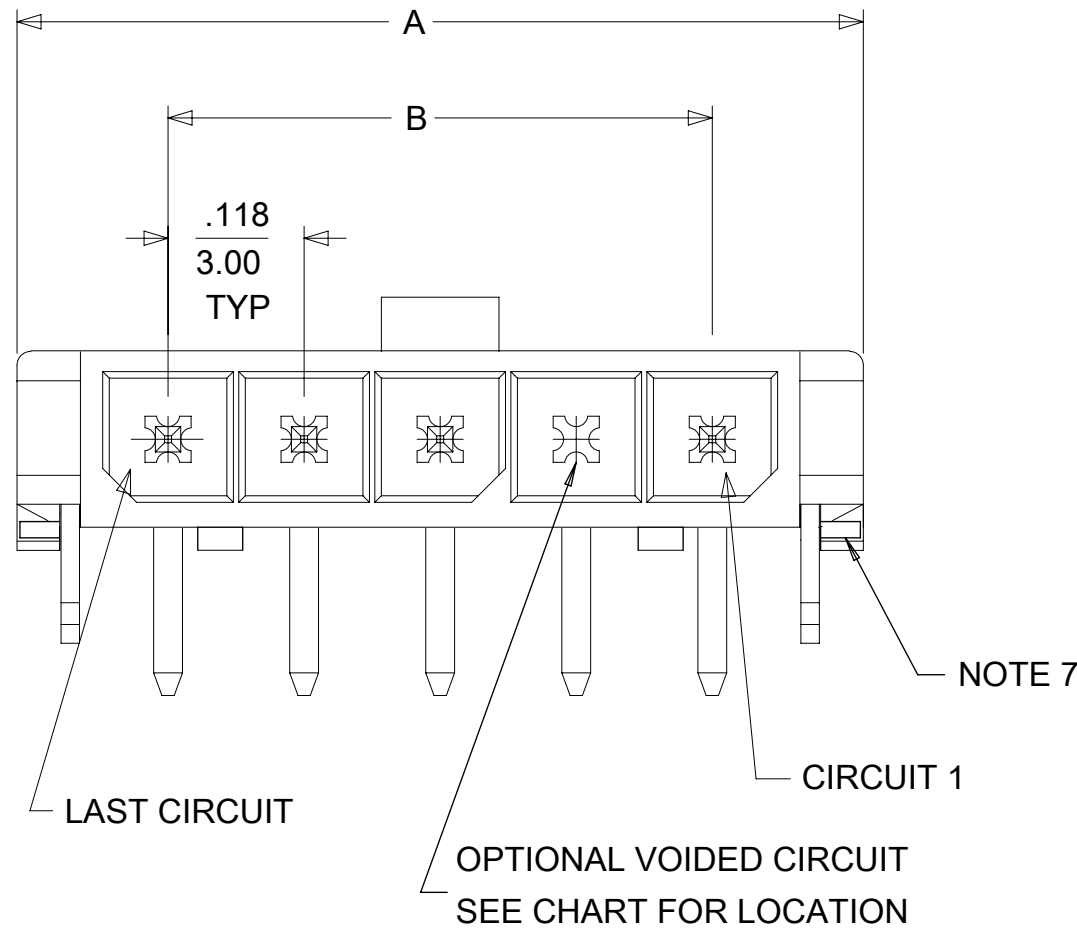


PCB LAYOUT: COMPONENT SIDE
RECOMMENDED PCB THICKNESS: .062/1.57



LOCATION DETAIL
SEE NOTE #6

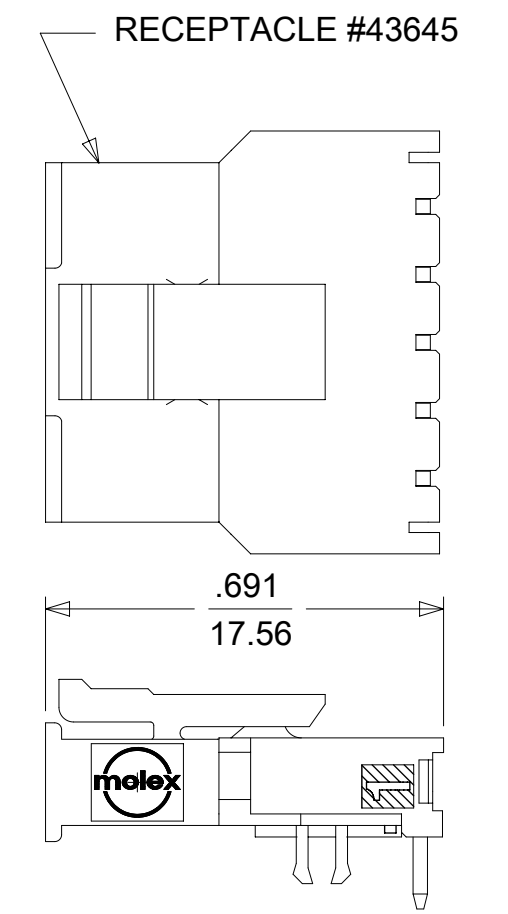


PRESS FIT RETENTION CLIP

CKTS	DIM A	DIM B	DIM C
2	.380 9.65	.118 3.00	.287 7.30
3	.498 12.65	.236 6.00	.405 10.30
4	.616 15.65	.354 9.00	.524 13.30
5	.734 18.64	.472 12.00	.642 16.30
6	.852 21.64	.591 15.00	.760 19.30
7	.970 24.64	.709 18.00	.878 22.30
8	1.088 27.64	.827 21.00	.996 25.30
9	1.206 30.63	.945 24.00	1.114 28.30
10	1.325 33.66	1.063 27.00	1.232 31.30
11	1.443 36.65	1.181 30.00	1.350 34.30
12	1.561 39.65	1.299 33.00	1.469 37.30

- NOTES:
- HOUSING MATERIAL: LIQUID CRYSTAL POLYMER, GLASS FILLED, UL94V-0, COLOR: BLACK
TERMINAL MATERIAL: BRASS ALLOY
 - FINISH:
A = .000060/(0.00152) MIN. REFLOWED MATTE TIN OVER
.000050/(0.00127) MIN. NICKEL OVERALL
(FINISH IS BRIGHT IN APPEARANCE, THICKNESS AS APPLIED PRIOR TO REFLOW)
B = .000015/(0.00038) MIN. SELECT GOLD IN CONTACT AREA
.000100/(0.00254) MIN. SELECT MATTE TIN ON SOLDER TAILS
BOTH OVER .000050/(0.00127) MIN. NICKEL OVERALL
C = .000030/(0.00076) MIN. SELECT GOLD IN CONTACT AREA
.000100/(0.00254) MIN. SELECT MATTE TIN ON SOLDER TAILS
BOTH OVER .000050/(0.00127) MIN. NICKEL OVERALL
D = .000100/(0.00254) MIN. MATTE TIN OVER
.000050/(0.00127) MIN. NICKEL OVERALL
 - PRODUCT SPECIFICATION: PS-43650
 - TRAY PACKAGED : SEE MOLEX DRAWING PK-70873-0321
 - MATES WITH MICRO FIT (3.0) RECEPTACLE SERIES 43645
 - TO AVOID INTERFERENCE BETWEEN RECEPTACLE AND PCB, HEADER MUST BE PLACED WITHIN .400/(10.16) MAX. FROM EDGE OF PCB, AS SHOWN IN LOCATION DETAIL.
 - METAL TAB MAY BE FLUSH WITH PCB.
 - PART CONFORMS TO CLASS "B" REQUIREMENTS OF COSMETIC SPECIFICATION' PS-45499-002.
 - TEXT ON PART IS FOR REFERENCE ONLY. TEXT AND TEXT LOCATION MAY VARY DEPENDING ON PART NUMBER AND/OR TOOL.

CKTS	FINISH A		FINISH B		FINISH C		FINISH D	
	MATERIAL NO:	VOID CKT	MATERIAL NO:	VOID CKT	MATERIAL NO:	MATERIAL NO:	VOID CKT	
02	43650-0203		43650-0204		43650-0205	43650-0259		
03	43650-0303		43650-0304		43650-0305	43650-0359		
04	43650-0403		43650-0404		43650-0405	43650-0459		
05	43650-0503		43650-0504		43650-0505	43650-0559		
06	43650-0603		43650-0604		43650-0605	43650-0659		
07	43650-0703		43650-0704		43650-0705	43650-0759		
08	43650-0803		43650-0804		43650-0805	43650-0859		
09	43650-0903		43650-0904		43650-0905	43650-0959		
10	43650-1003		43650-1004		43650-1005	43650-1059		
11	43650-1103		43650-1104		43650-1105	43650-1159		
12	43650-1203		43650-1204		43650-1205	43650-1259		
03			43650-1304	02				
07	43650-1703	05	43650-1704	03		43650-1759	05	
07			43650-2704	05				



MATED MICRO FIT CONNECTOR

THIS DRAWING CONTAINS INFORMATION THAT IS PROPRIETARY TO MOLEX ELECTRONIC TECHNOLOGIES, LLC AND SHOULD NOT BE USED WITHOUT WRITTEN PERMISSION

SYMBOLS: DIMENSION UNITS: IN/MM, SCALE: NTS, CURRENT REV/DESC: ADD XX04 VOIDS

GENERAL TOLERANCES (UNLESS SPECIFIED):

4 PLACES	±	±
3 PLACES	±	± 0.01
2 PLACES	±	± 0.25 ± 0.014
1 PLACE	±	± 0.36 ±
0 PLACES	±	±

ANGULAR TOL: ± 0.5 °

DRAFT WHERE APPLICABLE MUST REMAIN WITHIN DIMENSIONS

EC NO: 175483
DRWN: ANESSER 2018/04/23
CHK'D: SSOUSEK 2018/04/27
APPR: FSMITH 2018/04/27

INITIAL REVISION:
DRWN: SAMIEC 2000/07/07
APPR: FSMITH 2016/03/18

THIRD ANGLE PROJECTION

DRAWING: C-SIZE, SERIES: 43650

molex

MICROFIT(3.0) RIGHT ANGLE THRU HOLE CLIP SINGLE ROW HEADER / TRAY

PRODUCT CUSTOMER DRAWING

DOCUMENT NUMBER: SD-43650-002, DOC TYPE: PSD, DOC PART: 000, REVISION: F1

MATERIAL NUMBER: SEE CHART, CUSTOMER: GENERAL MARKET, SHEET NUMBER: 1 OF 1