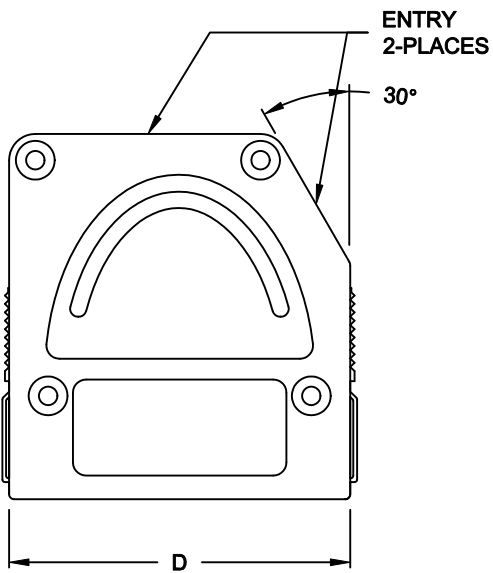
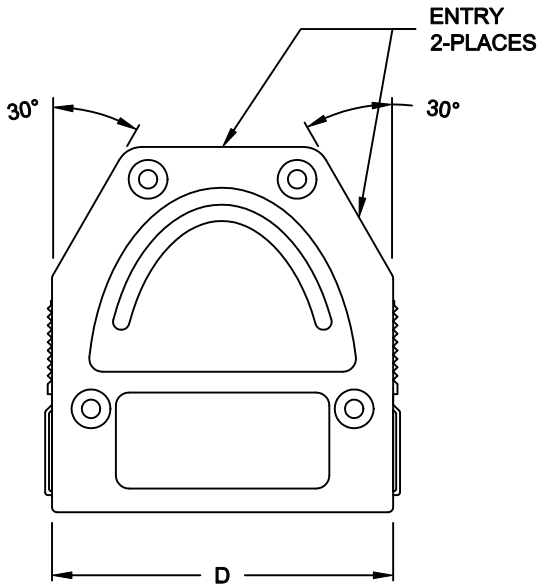


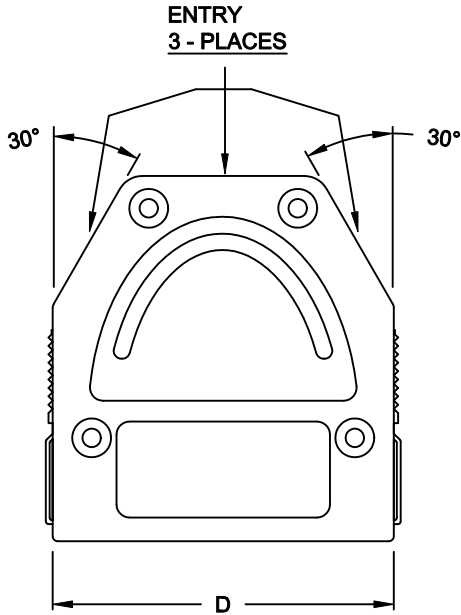
DESCRIPTION: QUICK RELEASE - BLACK & METALIZED PLASTIC



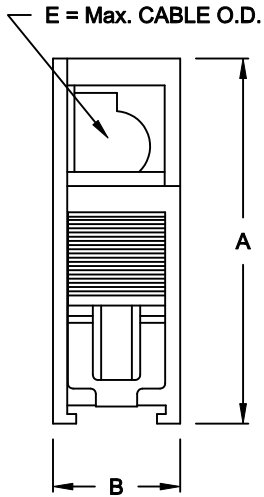
9 & 15 POSITION



25 POSITION



37 POSITION

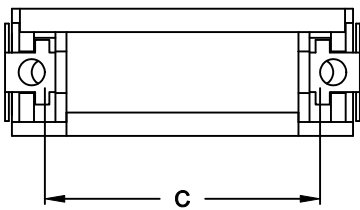


**SPECIFICATION:**

- MATERIAL
- BLACK PLASTIC: ABS PLASTIC, SICOFLEX, UL 94 V-0
- METALIZED PLASTIC: NICKEL OVER COPPER PLATING
- TEMP RATING: -55°C to +125°C

**BACKSHELL KIT INCLUDES:**

- (2) BACKSHELL HALVES
- (4) MOUNTING SCREWS
- (1) STRAIN RELIEF CLAMP
- (2) STRAIN RELIEF SCREWS



**955-YYY-YYYRYY1**

- SERIES \_\_\_\_\_
- POSITIONS \_\_\_\_\_
- 009 \_\_\_\_\_
- 015 \_\_\_\_\_
- 025 \_\_\_\_\_
- 037 \_\_\_\_\_
- MATERIAL \_\_\_\_\_
- 010 = PLASTIC
- 020 = METALIZED PLASTIC
- RoHS COMPLIANT \_\_\_\_\_
- R = HIGH TEMP. PROCESS
- COLOR \_\_\_\_\_
- 01 = BLACK
- 12 = METAL(IZED)
- PUT-UP \_\_\_\_\_
- 1 = KIT

DIMENSIONS (IN.)					
No. OF PINS	A	B	C	D	E
09	1.740	0.606	0.984	1.299	0.354
15	1.740	0.606	1.312	1.626	0.394
25	1.740	0.606	1.852	2.165	0.433
37	1.740	0.606	2.500	2.815	0.433

DO NOT SCALE FROM DRAWING



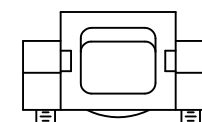
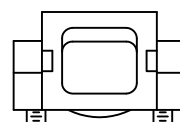
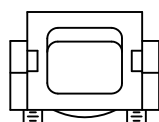
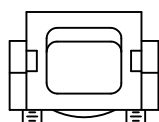
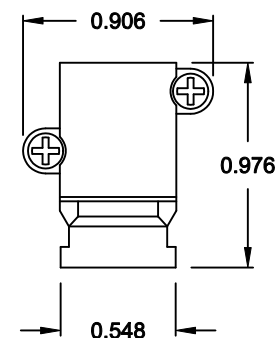
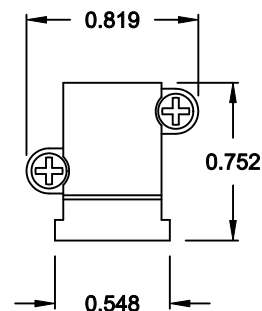
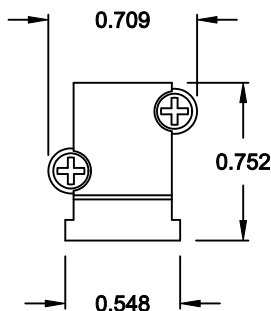
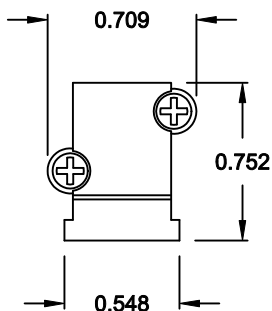
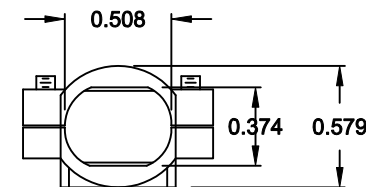
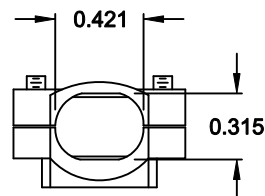
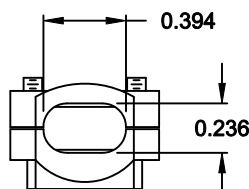
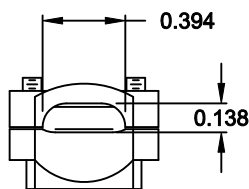
THESE DRAWINGS AND SPECIFICATIONS ARE THE PROPERTY OF NorComp AND SHALL NOT BE REPRODUCED, COPIED OR USED AS THE BASIS FOR THE MANUFACTURE OF SALE OF APPARATUS WITHOUT WRITTEN PERMISSION.

DRAWN: <b>C. SMITH</b>		DATE: <b>04-10-07</b>	
CHECKED:		DATE:	
SCALE: <b>1:1</b>	SHEET <b>1</b>	OF <b>2</b>	REV <b>3</b>
DWG NO. <b>955-YYY-YYYRYY1</b>			

**NorComp**

**RoHS COMPLIANT**

# CABLE CLAMPS ORDERED SEPARATELY



P/N 955-09-SR-4-7  
CABLE RANGE = 0.157 - 0.276

P/N 955-15-SR-7-10  
CABLE RANGE = 0.276 - 0.394

P/N 955-25-SR-9-12  
CABLE RANGE = 0.354 - 0.472

P/N 955-37-SR-11-14  
CABLE RANGE = 0.433 - 0.551

DO NOT SCALE FROM DRAWING



THESE DRAWINGS AND SPECIFICATIONS ARE THE PROPERTY OF NorComp AND SHALL NOT BE REPRODUCED, COPIED OR USED AS THE BASIS FOR THE MANUFACTURE OF SALE OF APPARATUS WITHOUT WRITTEN PERMISSION.

DRAWN: <b>C. SMITH</b>	DATE: <b>04-10-07</b>
CHECKED:	DATE:

# NorComp

SCALE: <b>1:1</b>	SHEET <b>2</b> OF <b>2</b>	REV <b>3</b>
DWG NO. <b>955-YYY-YYYRYY1</b>		

# RoHS COMPLIANT

# Mouser Electronics

Authorized Distributor

Click to View Pricing, Inventory, Delivery & Lifecycle Information:

[NorComp:](#)

[955-025-010R011](#) [955-015-010R011](#) [955-037-020R121](#) [955-009-020R121](#) [955-009-010R011](#) [955-037-010R011](#)  
[955-015-020R121](#) [955-025-020R121](#)