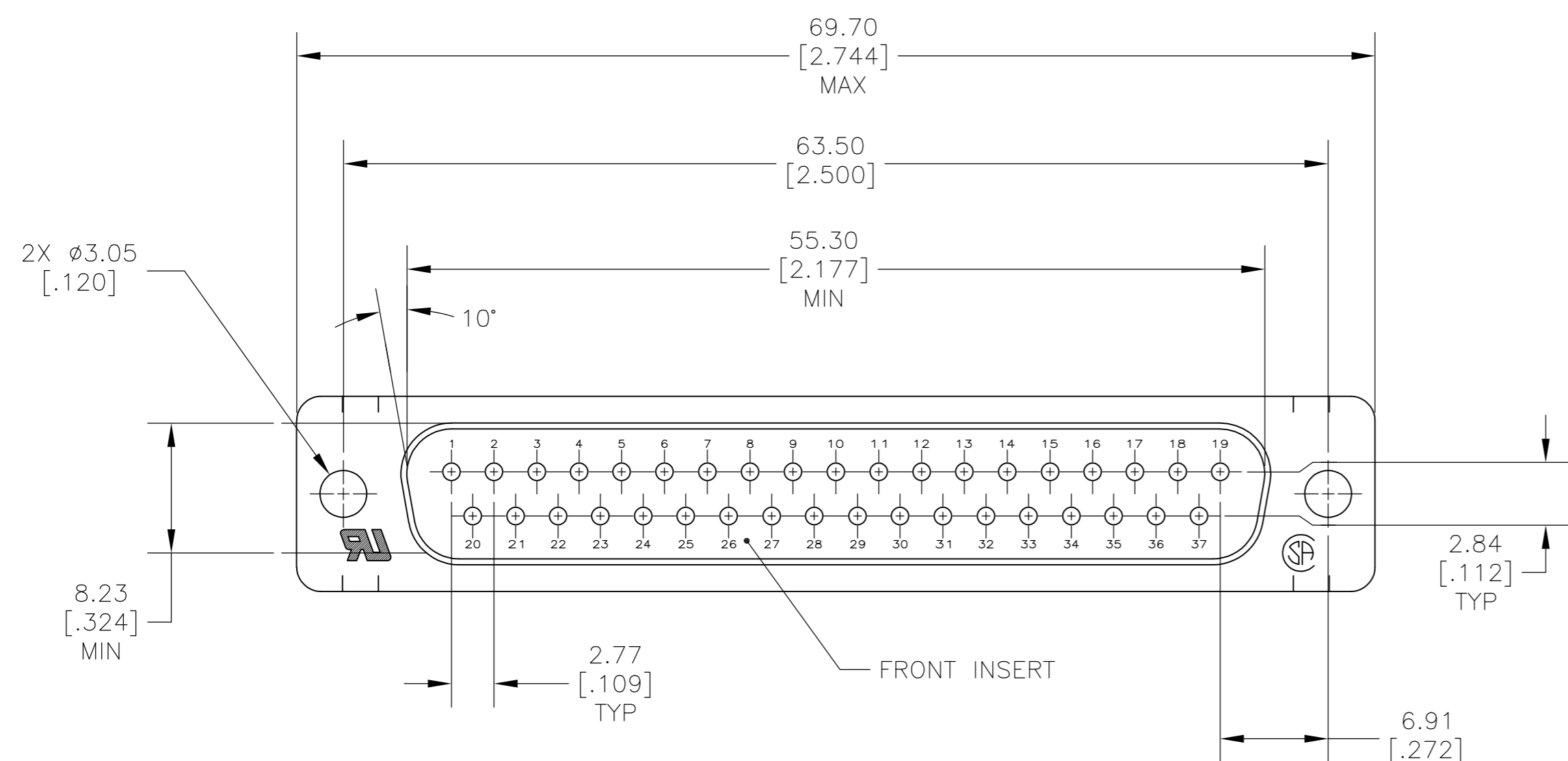


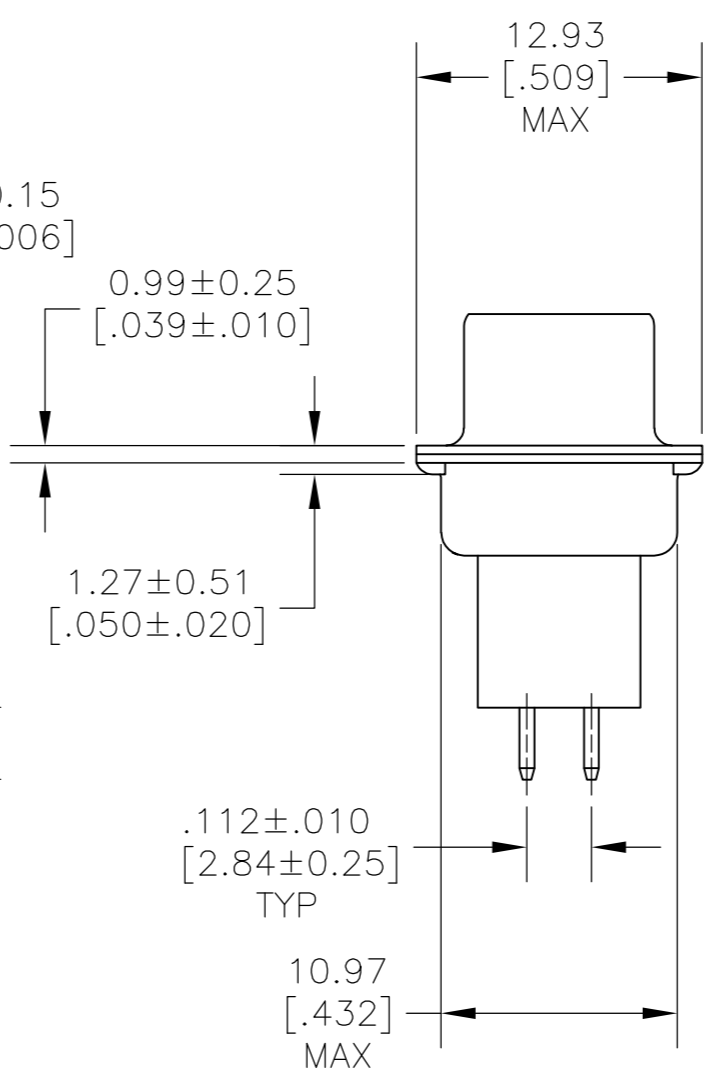
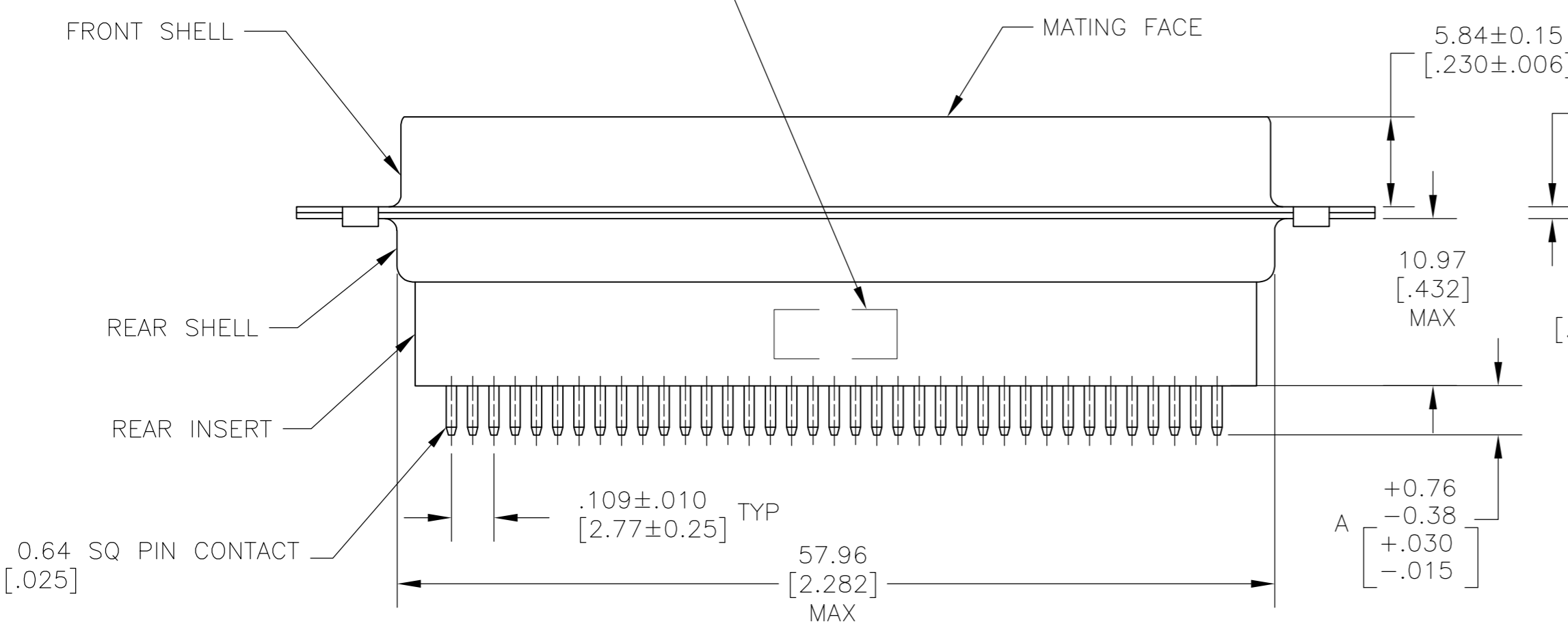
THIS DRAWING IS UNPUBLISHED. RELEASED FOR PUBLICATION
 © COPYRIGHT 2005 By - ALL RIGHTS RESERVED.

LOC		DIST		REVISIONS			
P	LTR	DESCRIPTION	DATE	DWN	APVD		
GP	00	AB	REVISED PER ECO-14-011808	09AUG2014	AP	SB	

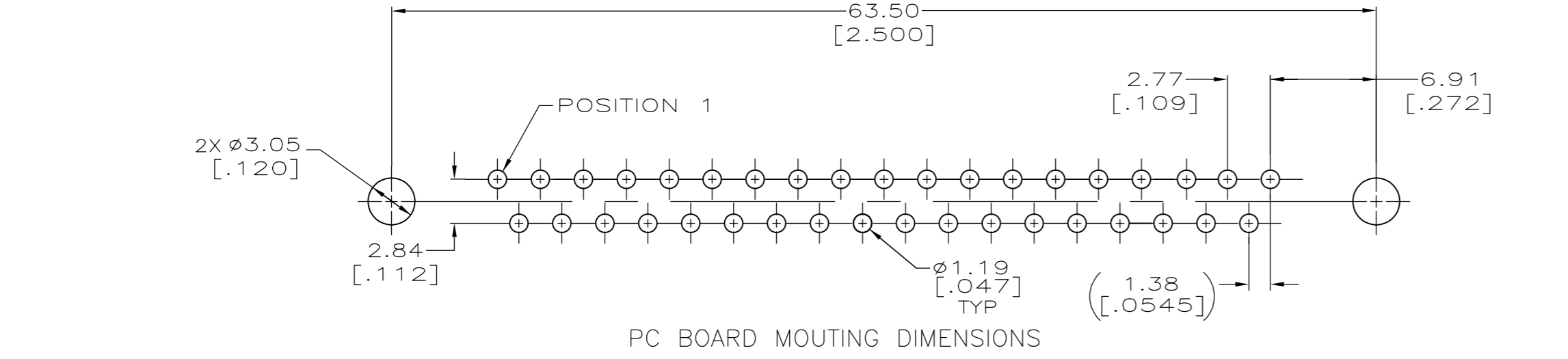


- ⚠ MOLDED PARTS: GLASS-FILLED PBT OR GLASS-FILLED NYLON, UL94V-0 RATED. COLOR: BLACK
SHELLS: CARBON STEEL. BLACK.
CONTACTS: BRASS.
- ⚠ SHELLS: 5.08µm [.000200] MIN ZINC WITH YELLOW CHROMATE COATING.
CONTACTS: GOLD PLATED FOR LENGTH OF 3.81 [.150] MIN FROM MATING END, 0.76µm [.000030] MIN GOLD IN MATED AREA, 2.54µm [.000100] MIN TIN-LEAD ON SOLDER END, BOTH OVER 1.27µm [.000050] MIN NICKEL.
OR
GOLD FLASH OVER PALLADIUM NICKEL PLATED FOR LENGTH OF 3.81 [.150] MIN FROM MATING END, 0.76µm [.000030] MIN TOTAL IN MATED AREA, 2.54µm [.000100] MIN TIN-LEAD ON SOLDER END, BOTH OVER 1.27µm [.000050] MIN NICKEL.
- 3. NOTE DELETED.
- 4. NOTE DELETED.
- 5. NOTE DELETED.
- ⚠ NOTE DELETED.
- ⚠ GOLD PLATED FOR LENGTH OF 3.81 [.150] MIN FROM MATING END, GOLD FLASH IN MATED AREA. 2.54µm [.000100] MIN TIN-LEAD ON SOLDER END, ALL OVER 1.27µm [.000050] MIN NICKEL.

AMP, PART NO & DATE CODE MARKED IN AREA INDICATED, ON FAR SIDE



SUPSD BY	REV	DESCRIPTION	DATE
205714-7	-	-	205714-8
	2	4.78 [.188]	205714-7
OBSOLETE	7	16.54 [.651]	205714-6
OBSOLETE	-	-	205714-5
SUPSD BY	7	10.85 [.427]	205714-4
SUPSD BY	7	10.85 [.427]	205714-3
SUPSD BY	7	3.18 [.125]	205714-2
SUPSD BY	7	3.18 [.125]	205714-1
CONTACT FINISH		A	PART NUMBER



THIS DRAWING IS A CONTROLLED DOCUMENT.		DWN J. POLIGNONE 01FEB07	 TE Connectivity
DIMENSIONS: mm [INCHES]		CHK E. BRIANT 01FEB07	
TOLERANCES UNLESS OTHERWISE SPECIFIED:		APVD E. BRIANT 01FEB07	
0 PLC ± - 1 PLC ± - 2 PLC ± 0.13 [.005] 3 PLC ± - 4 PLC ± - ANGLES ± -		NAME	
MATERIAL		PRODUCT SPEC 108-40025	PLUG ASSY, SIZE 4, 37 POS, VERTICAL, AMPLIMITE HDP
FINISH		APPLICATION SPEC 114-40013	RESTRICTED TO
MATERIAL		WEIGHT -	SIZE CAGE CODE DRAWING NO
FINISH		CUSTOMER DRAWING	A2 00779 C-205714
SCALE NTS		SHEET 1 of 1	REV AB

Mouser Electronics

Authorized Distributor

Click to View Pricing, Inventory, Delivery & Lifecycle Information:

[TE Connectivity:](#)

[205714-7](#)