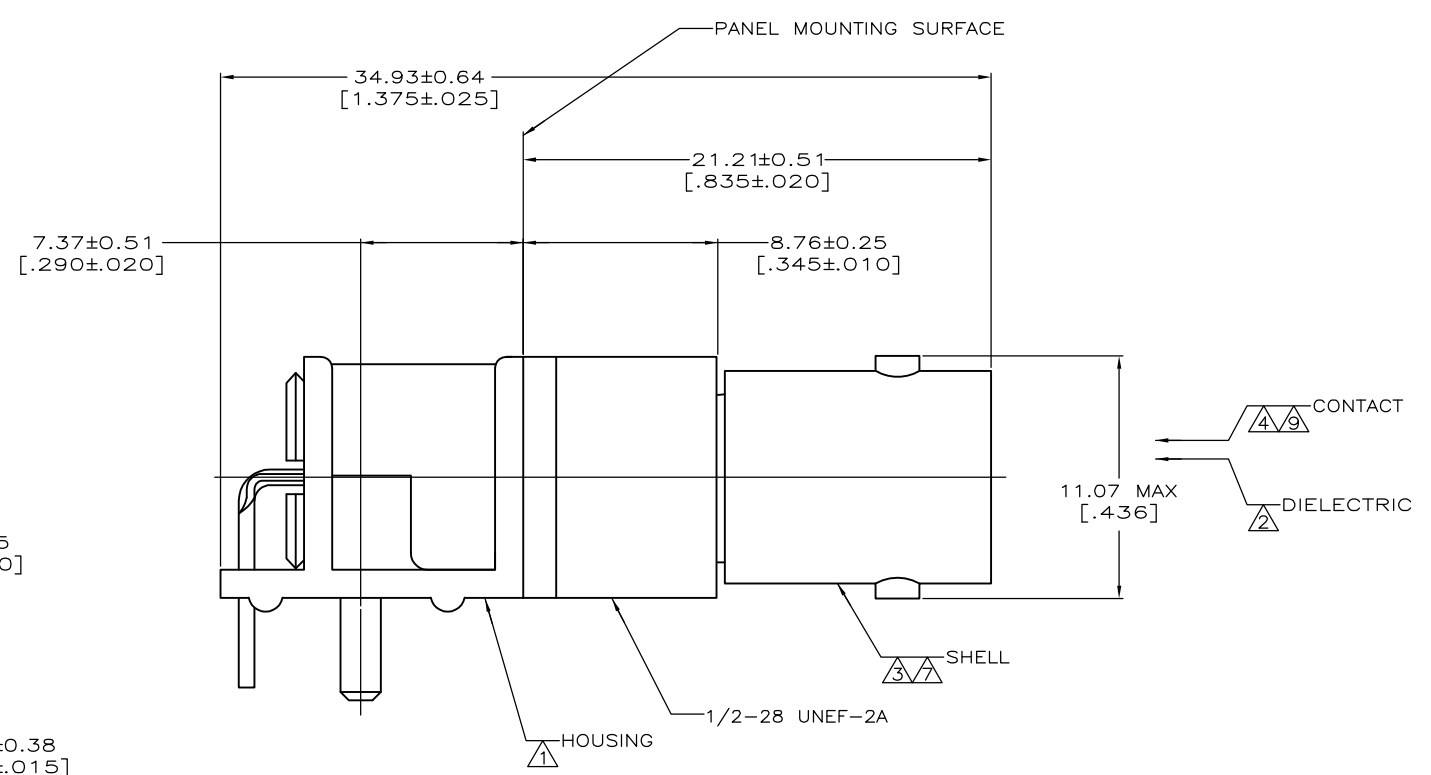
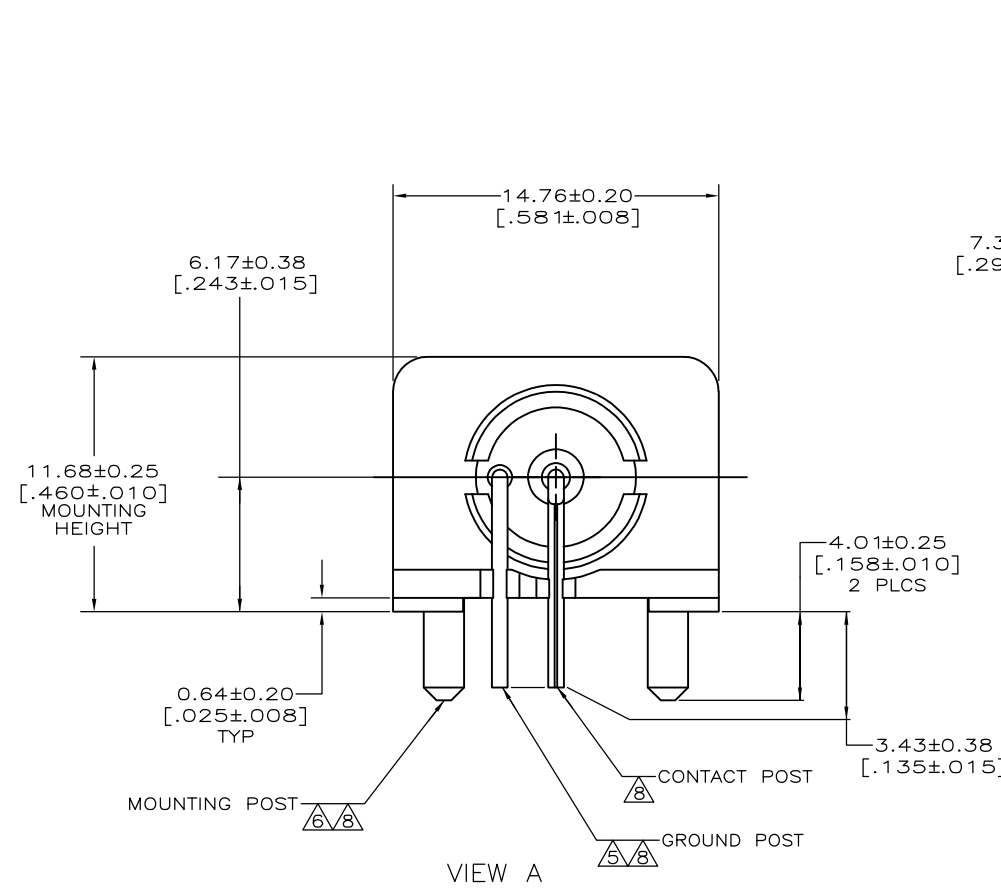
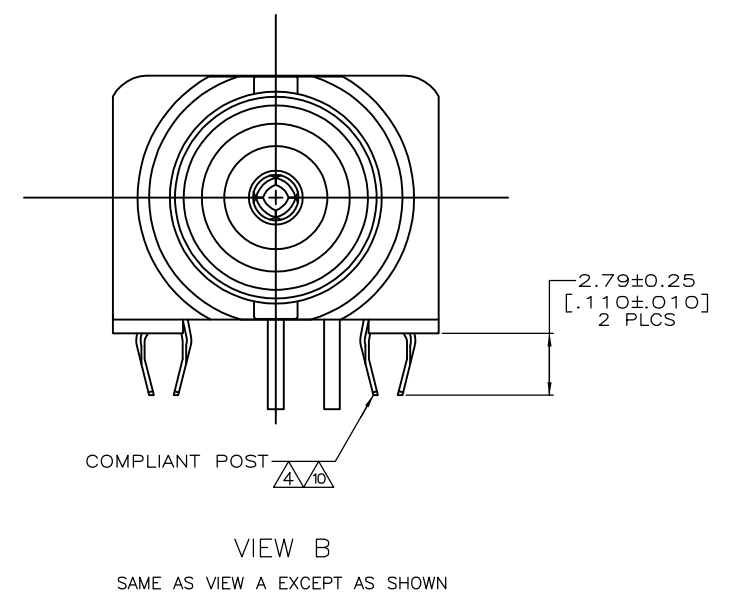
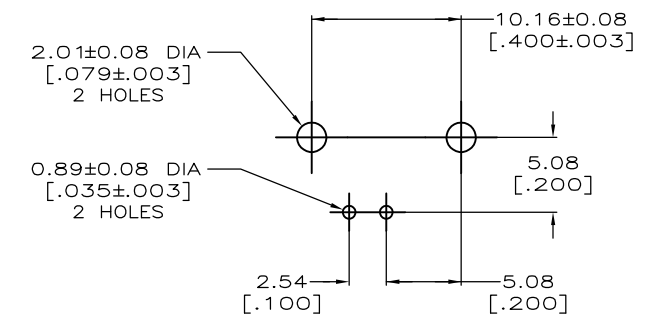
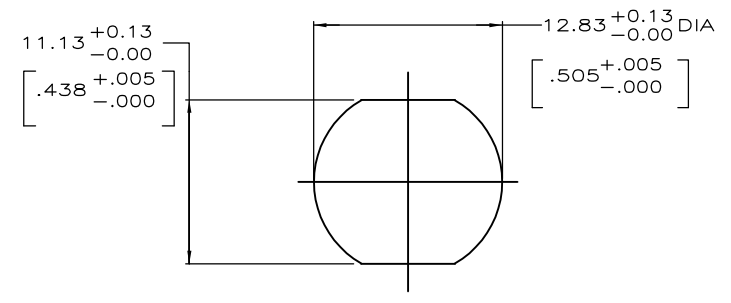


THIS DRAWING IS UNPUBLISHED. RELEASED FOR PUBLICATION
 © COPYRIGHT BY TYCO ELECTRONICS CORPORATION. ALL RIGHTS RESERVED.

LOC	DIST	REVISIONS					
AJ	16	P	LTR	DESCRIPTION	DATE	DWN	APVD
			D	REVISED PER ECO 08-009474	7/21/2008	DW	JL



- △ POLYESTER PBT PER MIL-M-24519, TYPE GPT-15F, UL94V-0 RATED, COLOR:BLACK
- △ POLYMETHYLPENTENE, GENERAL PURPOSE.
- △ ZINC PER QQ-Z-363.
- △ PHOSPHOR BRONZE PER QQ-B-750.
- △ BRASS PER ASTM-B-453.
- △ BRASS PER ASTM-B-16.
- △ NICKEL PLATE PER QQ-N-290, 3.81 μm [.000150] MINIMUM THICK.
- △ TIN PLATE PER ASTM-B-545, 3.81 μm [.000150] MINIMUM THICK.
- △ GOLD PLATE PER MIL-G-45204, 0.08 μm [.000003] MINIMUM THICK.
- △ 10 TIN PLATE PER ASTM-B-545.
- 11. SEE INSTRUCTION SHEET 2769.



OBSELETE	B	415046-2
	A	415046-1
	VIEW	PART NUMBER

THIS DRAWING IS A CONTROLLED DOCUMENT.		DWN	J. LIPPERT	8-7-95	Tyco Electronics Corporation Harrisburg, Pa 17105-3608				
DIMENSIONS: mm [INCHES]		CHK	M. TOMCHAK	8-7-95					
TOLERANCES UNLESS OTHERWISE SPECIFIED:		APVD	M. TOMCHAK	8-7-95	NAME				
0 PLC ± - 1 PLC ± - 2 PLC ± 0.05 [.002] 3 PLC ± - 4 PLC ± - ANGLES ± -		PRODUCT SPEC		108-1575					
MATERIAL		APPLICATION SPEC		SIZE			CAGE CODE	DRAWING NO	RESTRICTED TO
SEE NOTES 1 - 6		FINISH		WEIGHT		A3 00779		C-415046	-
SEE NOTES 7 - 10		CUSTOMER DRAWING			SCALE	6:1	SHEET	1 OF 1	REV
									D

Mouser Electronics

Authorized Distributor

Click to View Pricing, Inventory, Delivery & Lifecycle Information:

[TE Connectivity:](#)

[415046-1](#)