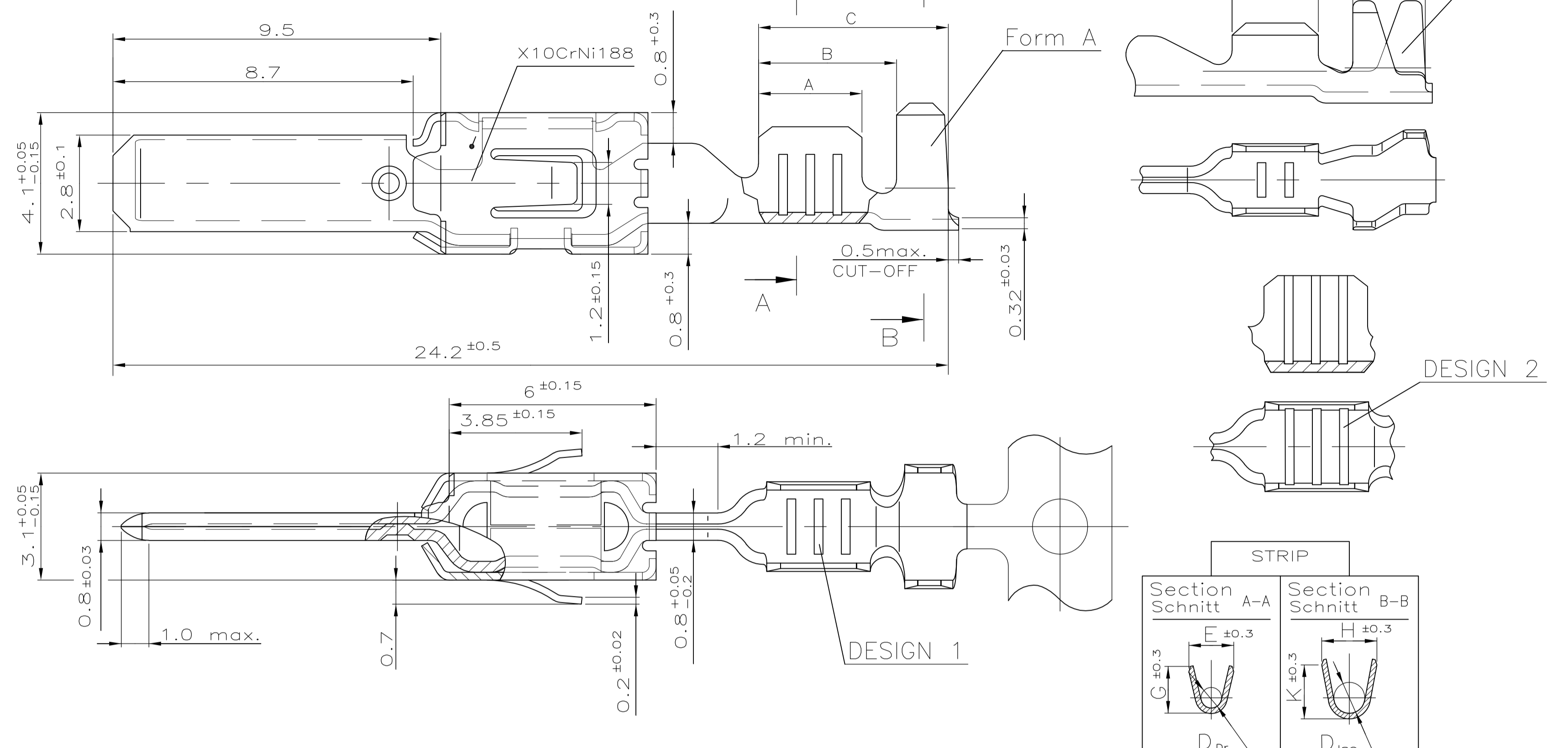


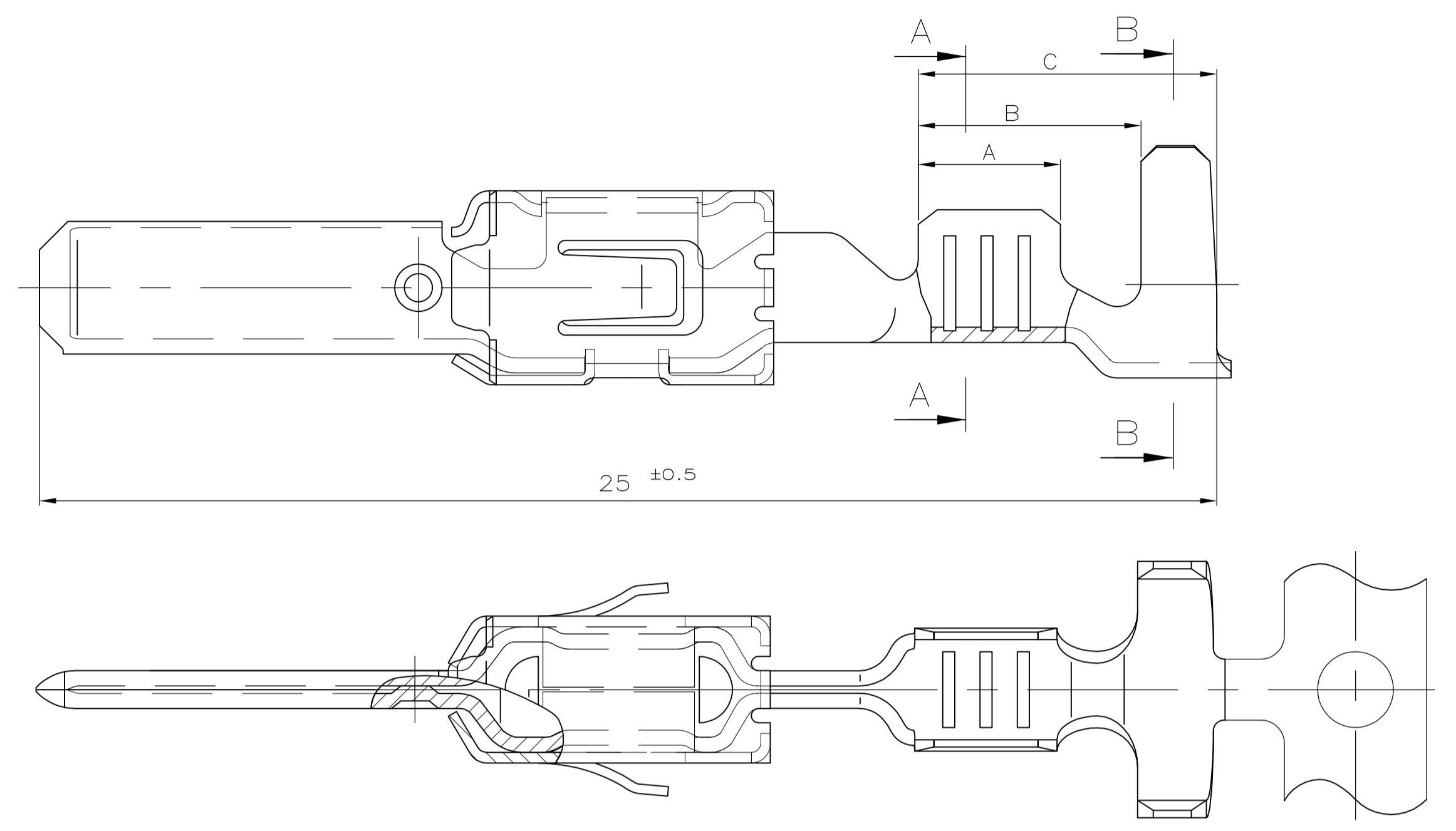
REV. NO.	DESCRIPTION	DATE	BY	APPV
A7	PNs and design 2 added.	21DEC2011	M.Schuster	
A8	PNs added.	06NOV2013	M.Merz	
A9	ECR-15-012070	13AUG2015	UBJH	BK

CONTACTS FOR FLR-CABLE
Kontakte fuer FLR-Leitung



Contacts for
Single Wire Sealing System: FLR-and FLK-Cable
Kontakte fuer Einzel-Dichtung-System: FLR und FLK-Leitung

Dimensions see Figure Contacts for FLR - Cable
Masse siehe Darstellung der Kontakte fuer FLR-Leitung



Order No. BESTELL- NR.	Rev.	Design Serrations	Wire Range Drahtgroessen Bereich (mm ²)	Insulation Ø Isolations Ø (mm)	Material Werkstoff	Surface Oberflaeche	Lenght Laenge	Wire crimp Drahtcrimp	Insul.crimp Iso'crimp	Notes
2-964302-2	A				CuFe 2	3				Single wire sealing system EDS
2-964302-1	C	1	>1.0-2.5	2.2-3.0	CuFe 2	vorverzinnt	A = 3.5 B = 5.2 C = 6.8	E = 3.6 G = 3.8 D _{Dr} = 1.8	H = 5.3 K = 5.0 D _{iso} = 3.5	
1-964302-3	C				CuSn 4	1				FLR - Cable / Leitung
4-964300-1	A				CuNi18Zn20					
2-964300-2	A	1	0.5-1.0	1.4-2.7	CuFe 2	3	A = 3.0 B = 4.7 C = 6.3	E = 2.5 G = 2.7 D _{Dr} = 1.2	H = 5.1 K = 4.8 D _{iso} = 3.3	
2-964300-1	C				CuFe 2	vorverzinnt				Form A
1-964300-3	C				CuSn 4	1				
2-2141876-2	A				CuFe 2	3	A = 2.5 B = 4.7 C = 6.3	E = 2.4 G = 2.3 D _{Dr} = 1.0	H = 4.7 K = 4.5 D _{iso} = 3.2	Form A
2-2141876-1	A	2	0.35	3.4	CuFe 2	vorverzinnt				
1-2141876-3	A				CuSn 4	1				Form B
2-964298-1	C	1	0.2-0.5	1.2-2.3	CuFe 2	vorverzinnt	A = 2.5 B = 4.7 C = 6.3	E = 2.1 G = 2.1 D _{Dr} = 0.8	H = 4.7 K = 4.5 D _{iso} = 3.2	
1-964298-3	C				CuSn 4	1				
2-964296-2	B				CuFe 2	3	A = 3.3 B = 4.3 C = 5.8	E = 3.6 G = 3.8 D _{Dr} = 1.8	H = 4.7 K = 4.9 D _{iso} = 2.6	Form A
2-964296-1	C	1	>1.0-2.5	2.2-3.0	CuFe 2	vorverzinnt				
1-964296-3	C				CuSn 4	1				
2-964294-2	A				CuFe 2	3	A = 3.0 B = 4.0 C = 5.5	E = 2.5 G = 2.7 D _{Dr} = 1.2	H = 3.7 K = 3.9 D _{iso} = 1.8	Form A
2-964294-1	B	1	0.5-1.0	1.4-2.1	CuFe 2	vorverzinnt				
1-964294-3	B				CuSn 4	1				
2-2141874-1	A				CuFe 2	vorverzinnt	A = 2.5 B = 3.5 C = 5.6	E = 2.4 G = 2.3 D _{Dr} = 1.0	H = 2.7 K = 2.8 D _{iso} = 1.4	Form B
1-2141874-3	A	2	0.35	1.15-1.6	CuSn 4	1				
2-964292-1	B				CuFe 2	vorverzinnt	A = 2.5 B = 3.5 C = 5.6	E = 2.1 G = 2.1 D _{Dr} = 0.8	H = 2.7 K = 2.8 D _{iso} = 1.4	Form B
1-964292-3	B	1	0.2-0.5	1.15-1.6	CuSn 4	1				
Order No. BESTELL- NR.	Rev.	Design Serrations	Wire Range Drahtgroessen Bereich (mm ²)	Insulation Ø Isolations Ø (mm)	Material Werkstoff	Surface Oberflaeche	Lenght Laenge	Wire crimp Drahtcrimp	Insul.crimp Iso'crimp	Crimp Dimension Crimpabmessungen (mm)

ORDER NO. BESTELL- NR.	Insulation Ø Isolations Ø	Colour Farbe
963292-1	2.7-3.0	yellow gelb
963293-1	2.0-2.7	redbrown rotbraun
963294-1	1.2-2.1	blue blau

- 1 Body electro tin plated over nickel 0.2 µm min.
Kontaktkoerper gal. verzinnt ueber Nickel 0.2 µm min.
Contact area selectiv gold over nickel 0.8µm min.
Kontaktzone selectiv vergoldet ueber Ni 0.8µm min.
Wire crimp area electro tin plated
1 µm min. over nickel
Drahtcrimpbereich gal. verzinnt 1 µm min. ueber Ni
- 2 According insulation Ø is to choose the
single wire seal
Entsprechend dem Isolationsdurchmesser ist die
Einzel-Dichtung auszuwaehlen
- 3 Contact Area min. 3µm Pre-silver plated
Kontaktzone min. 3µm vorversilbert

THIS DRAWING IS A CONTROLLED DOCUMENT. DIESE ZEICHNUNG IST EIN KONTROLLIERTES DOKUMENT.		DIN 05NOV2001 Abraham,G.		TE Connectivity	
DIMENSIONS: MASSEINHEITEN mm		TOLERANCES UNLESS OTHERWISE SPECIFIED: ALLIGENTOLERANZEN		APVD 05NOV2001 Meierhofer,T.	
0 PLC ± 0.2 mm 1 PLC ± - 2 PLC ± - 3 PLC ± - 4 PLC ± - ANGLES / WINKEL - ° -		PRODUCT SPEC PRODUKTSPEZ 108-18063		NAME	
MATERIAL		APPLICATION SPEC VERARBEITUNGSSPEZ 114-18051		PRODUCT GROUP DRAWING TAB 2.8 x 0.8 MM TYPE A Produkt-Gruppen-Zeichnung Flachstecker 2.8 x 0.8 mm Typ A	
WEIGHT GEWICHT		SCALE MASSSTAB 0:1		RESTRICTED TO KUPFER	
CUSTOMER DRAWING / KUNDENZEICHNUNG		DRAWING NO. ZEICHNUNGS-NR A1 00779		SHEET BLATT 1 von 1	
		SCALE MASSSTAB 0:1		REV AV9	

Mouser Electronics

Authorized Distributor

Click to View Pricing, Inventory, Delivery & Lifecycle Information:

[TE Connectivity:](#)

[1-964294-3](#)