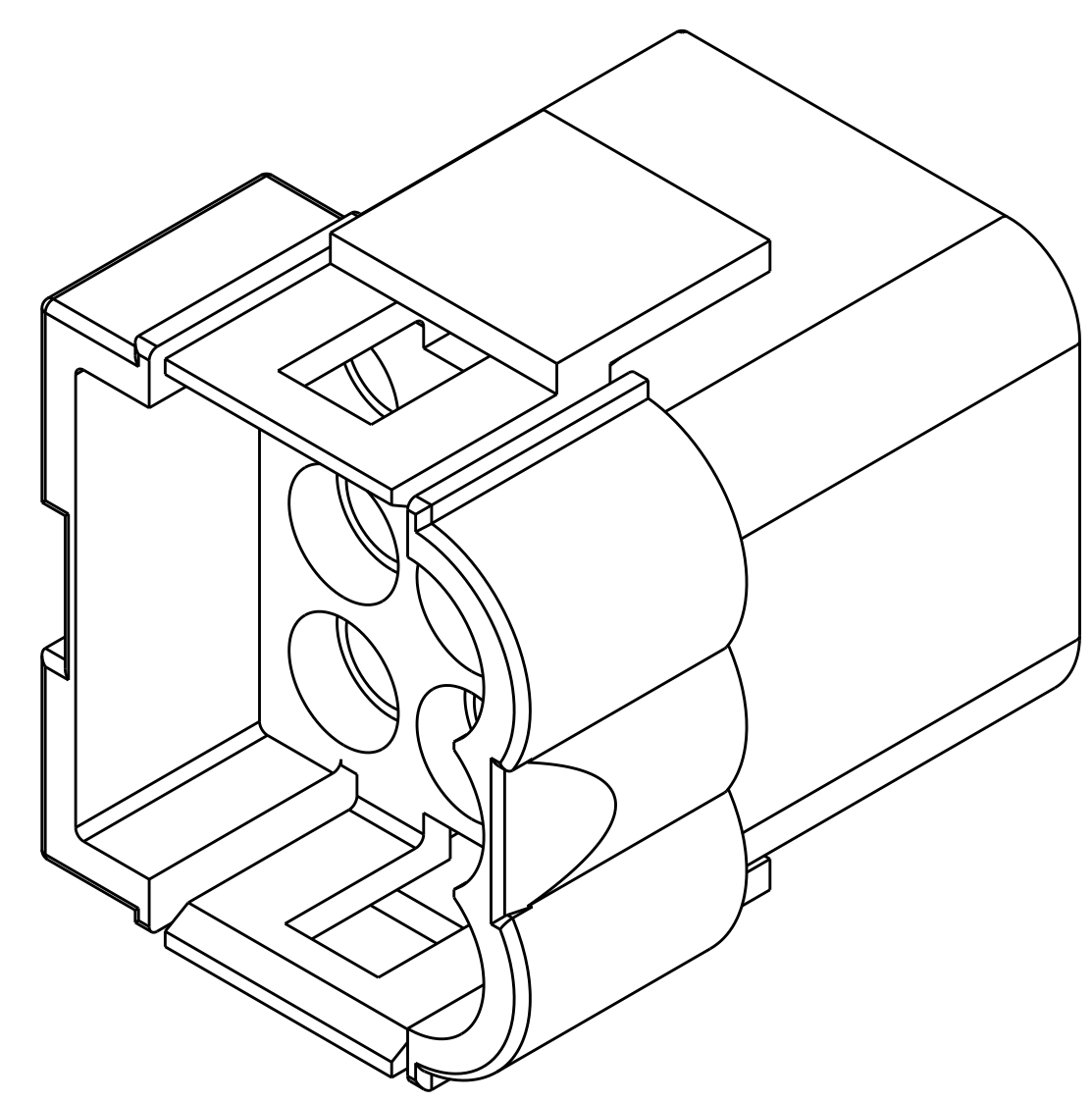
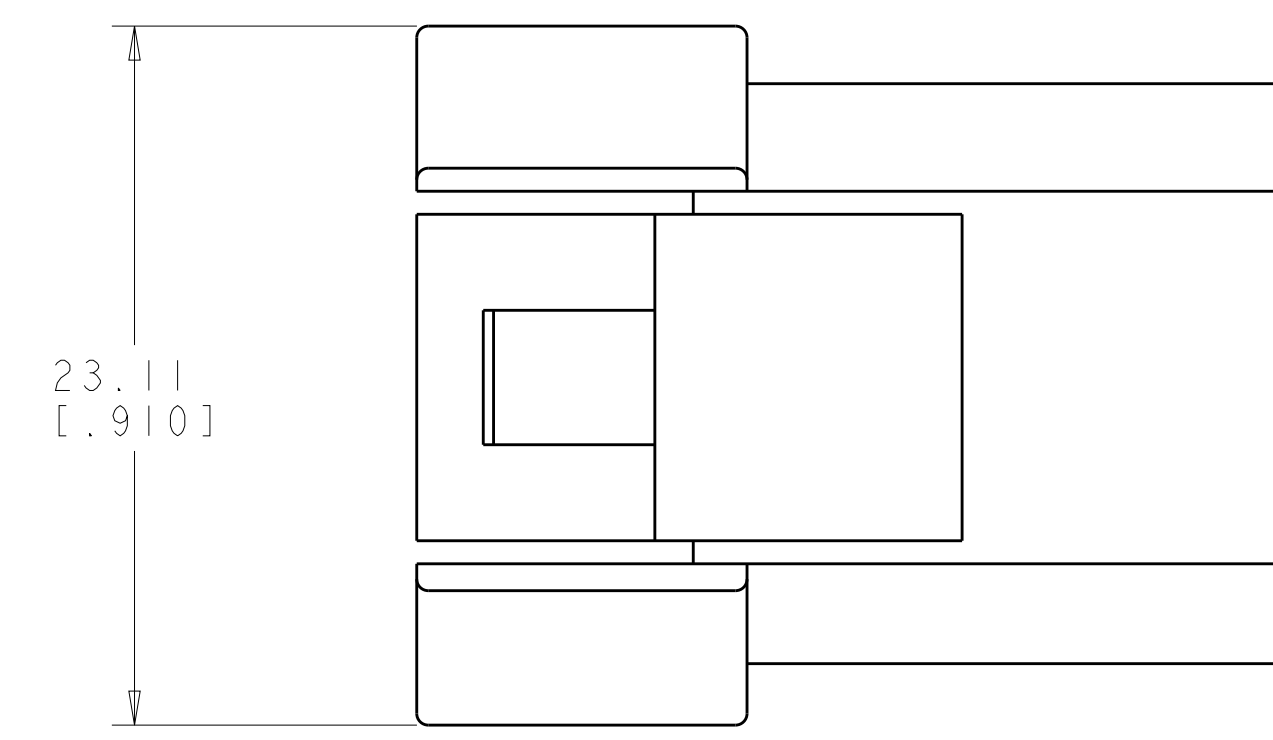
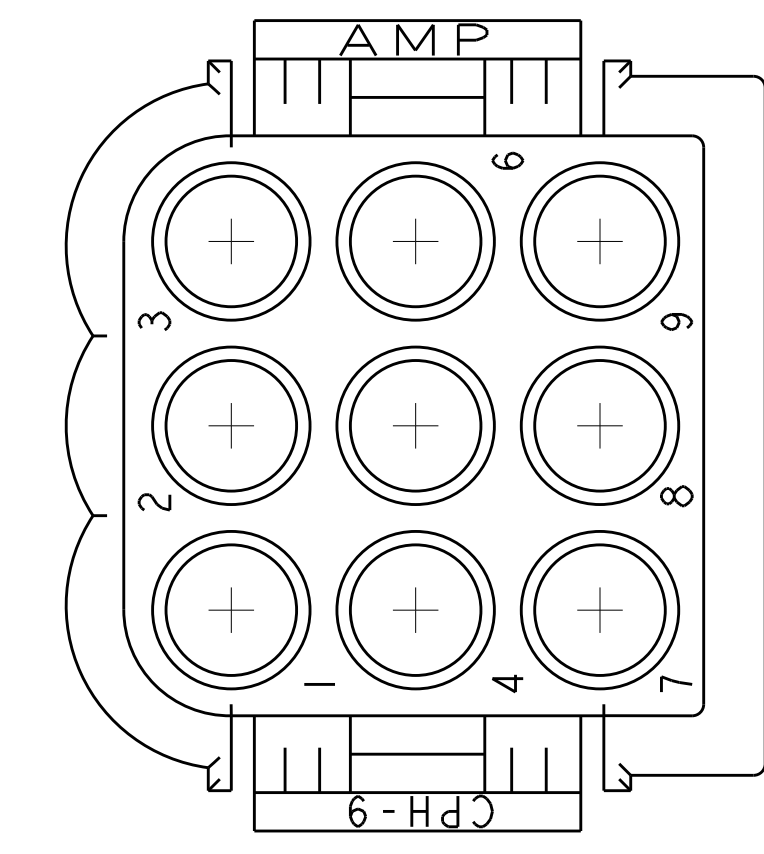
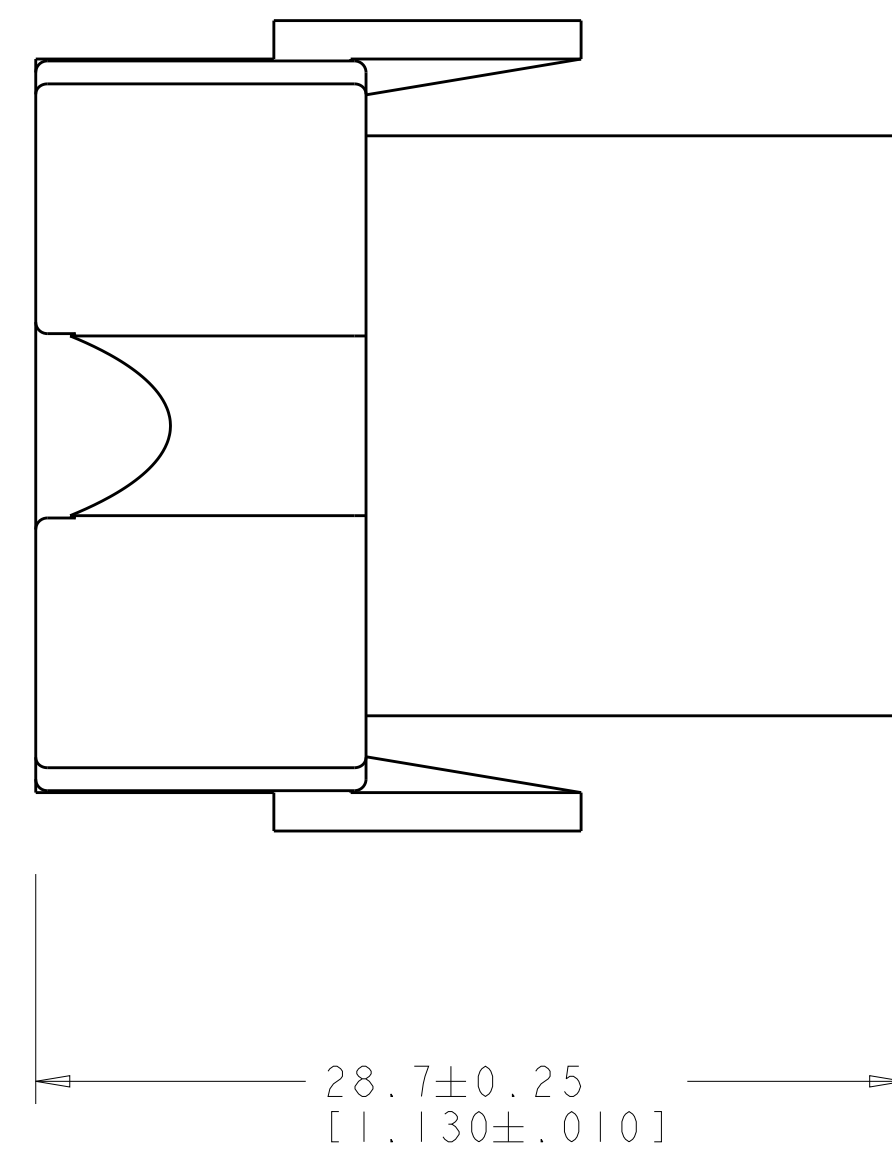
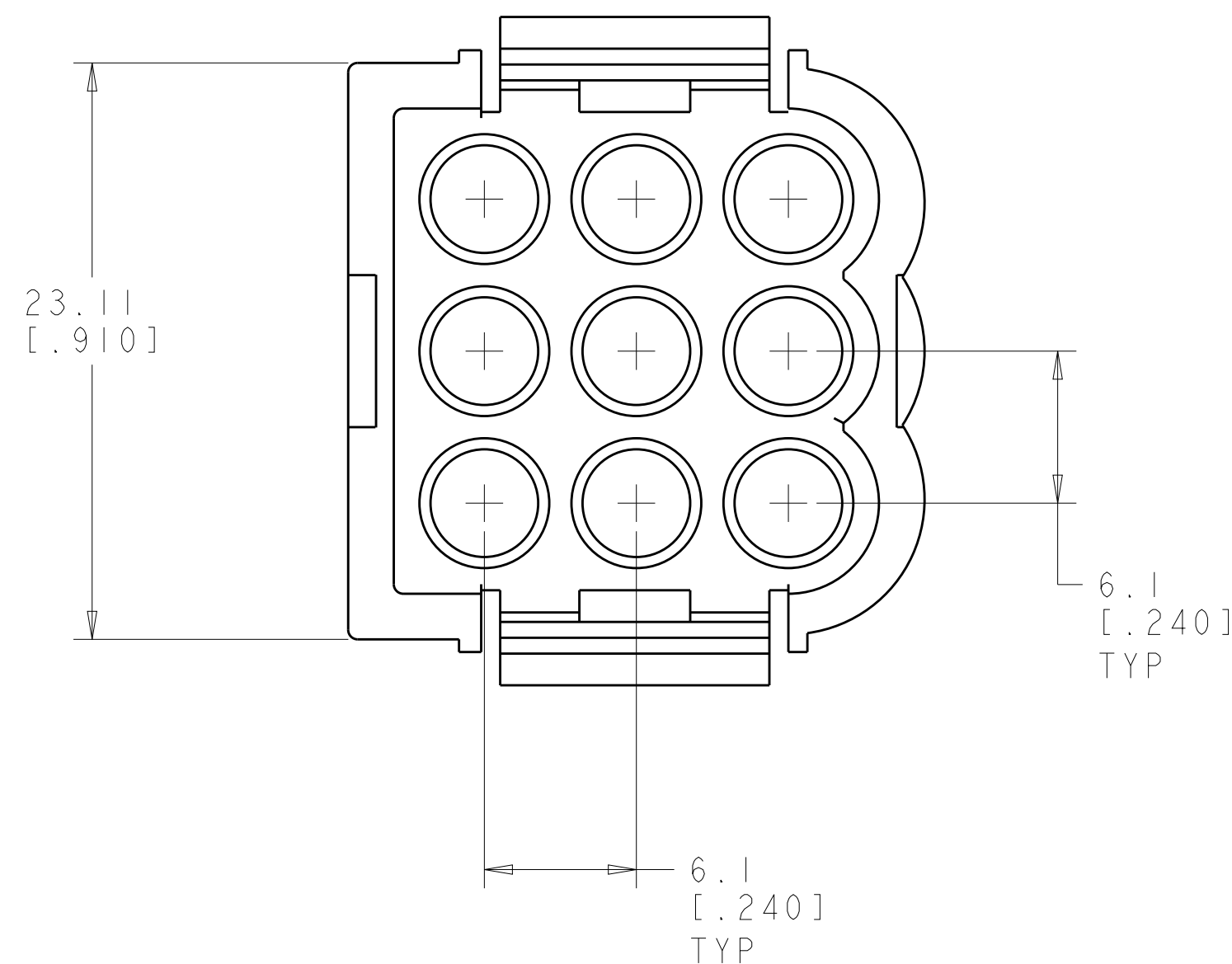


LOC		DIST		REVISIONS			
P	LTN	DESCRIPTION	DATE	DWN	APVD		
N3		REVISED PER ECO-11-005027	18MAR2011	RK	HMR		
N4		REVISED PER ECO-14-017403	24MAY2017	CX	DZ		



THIS DRAWING IS A CONTROLLED DOCUMENT.		DWN	R. WHITAKER	15MAY2007
DIMENSIONS: mm [INCHES]		CHK	C. CASH	15MAY2007
TOLERANCES UNLESS OTHERWISE SPECIFIED:		APVD	C. CASH	15MAY2007
0 PLC	±	NAME		
1 PLC	±	CAP.		
2 PLC	±0.13 (1.005)	9 CIRCUIT,		
3 PLC	±	.140 MATE-N-LOK(TM)		
4 PLC	±	RESTRICTED TO		
ANGLES	±	SIZE	A100779	C=480673
FINISH	±40°/30°	WEIGHT	-	
MATERIAL	NYLON	CUSTOMER DRAWING		
	UL 94V-2	SCALE	4:1	SHEET 1 OF 1 REV N4

0.321 IN ³	NATURAL	1-480673-0
VOLUME	COLOR	PART NUMBER

