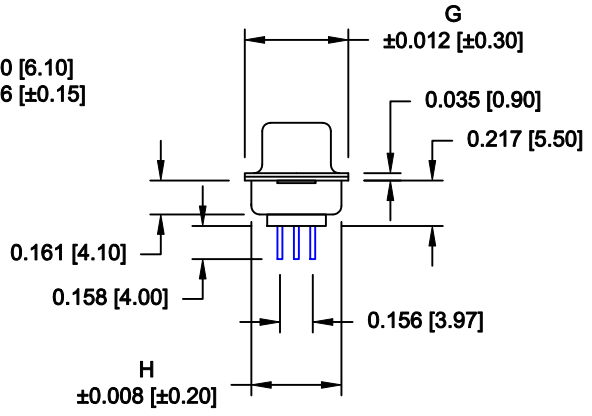
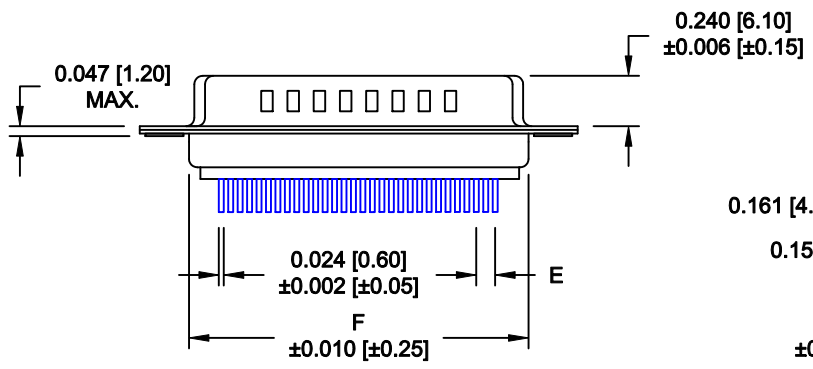


No. OF PINS	DIMENSIONS							
	A	B	C	D	E	F	G	H
15	1.213	0.984	0.666	0.329	0.090	0.756	0.496	0.429
	30.80	24.99	16.92	8.36	2.29	19.20	12.60	10.90
26	1.541	1.312	0.970	0.329	0.090	1.091	0.496	0.429
	39.15	33.32	24.65	8.36	2.29	27.70	12.60	10.90
44	2.087	1.852	1.512	0.329	0.090	1.618	0.496	0.429
	53.00	47.04	38.40	8.36	2.29	41.10	12.60	10.90



680-YYY-113RYY1

- SERIES \_\_\_\_\_
- POSITIONS \_\_\_\_\_
- 015 \_\_\_\_\_
- 026 \_\_\_\_\_
- 044 \_\_\_\_\_
- GENDER \_\_\_\_\_
- 1 = MALE
- TERMINATION \_\_\_\_\_
- 1 = VERTICAL DIP SOLDER
- SHELL PLATING \_\_\_\_\_
- 3 = NICKEL (GROUND INDENTS)
- RoHS COMPLIANT (260°C) \_\_\_\_\_
- HARDWARE OPTIONS \_\_\_\_\_
- 00 = NO HARDWARE
- 01 = .098" CLINCH NUT (BOARD SIDE)
- 02 = .236" CLINCH NUT (BOARD SIDE)
- 03 = .236" CLINCH NUT (MATING SIDE)
- 05 = .237 4-40 BOARD LOCK
- PLATING OPTIONS \_\_\_\_\_
- 1 = GOLD FLASH
- 2 = 30u" GOLD

**MATERIAL:**

- SHELL: STEEL, NICKEL PLATED
- INSULATOR: PBT, UL 94V-O RATED, +30% FIBER-GLASS OR NYLON-66
- CONTACT: BRASS, GOLD PLATED OVER NICKEL
- SEALING MATERIAL: F08 FLEXIBLE ADHESIVE

**ELECTRICAL:**

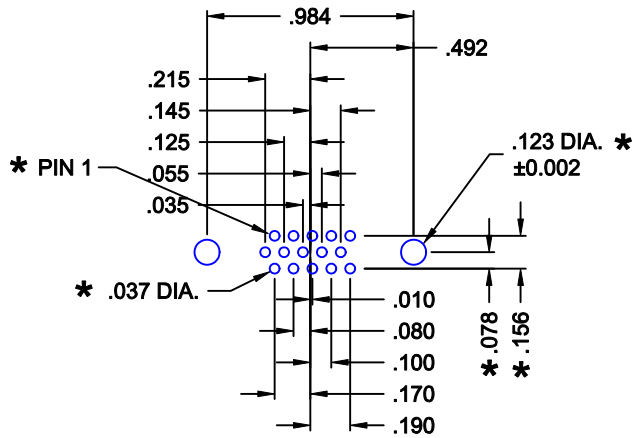
- CURRENT RATING: 5 AMPS
- CONTACT RESISTANCE: 15 mOhms Max.
- INSULATION RESISTANCE: 1,000 MOhms min.
- VOLTAGE: 500VAC FOR 1 MINUTE
- TEMPERATURE: -50° C TO 100° C

**MEETS IP66 STANDARDS**  
(SEE PAGE 4 FOR SEALING DETAILS)

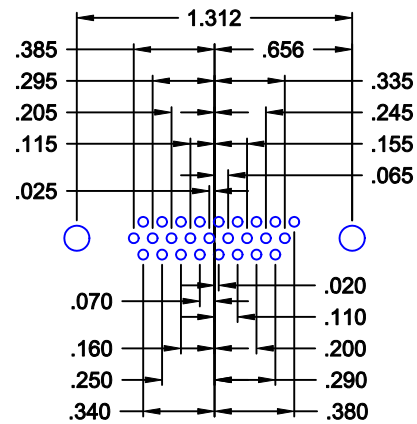
**DO NOT SCALE FROM DRAWING**

**RoHS COMPLIANT**

	THESE DRAWINGS AND SPECIFICATIONS ARE THE PROPERTY OF NorComp AND SHALL NOT BE REPRODUCED, COPIED OR USED AS THE BASIS FOR THE MANUFACTURE OF SALE OF APPARATUS WITHOUT WRITTEN PERMISSION.		DRAWN: <b>M. SIGMON</b>	DATE: <b>08-23-11</b>
			CHECKED:	DATE:
<b>NorComp</b>		SCALE: <b>1 : 1</b>	SHEET <b>1</b> OF <b>4</b>	REV <b>1</b>
		DWG NO. <b>680-YYY-113RYY1</b>		



15 POSITION

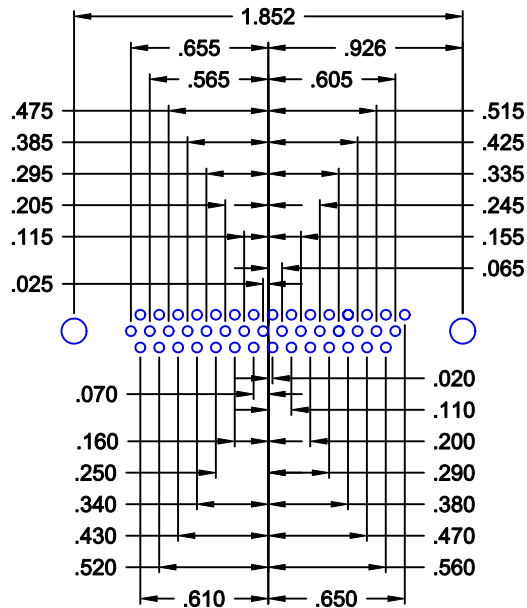


26 POSITION

180 SERIES  
HIGH DENSITY  
VERTICAL

HOLE PATTERN SHOWN  
ARE FOR MALE

\* TYP. ON ALL SIZES



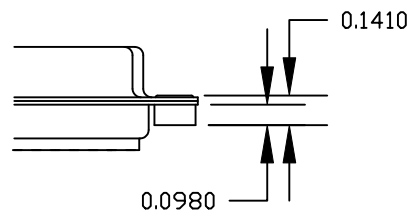
44 POSITION

DO NOT SCALE FROM DRAWING

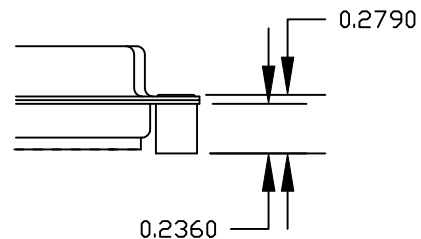
	THESE DRAWINGS AND SPECIFICATIONS ARE THE PROPERTY OF NorComp AND SHALL NOT BE REPRODUCED, COPIED OR USED AS THE BASIS FOR THE MANUFACTURE OF SALE OF APPARATUS WITHOUT WRITTEN PERMISSION.		DRAWN: <b>M. SIGMON</b>	DATE: <b>08-23-11</b>	
			CHECKED:	DATE:	
<h1>NorComp</h1>			SCALE:	SHEET <b>2</b> OF <b>4</b>	REV <b>1</b>
			DWG NO. <b>680-YYY-113RYY1</b>		

**ALL CLINCH-NUTS ARE 4-40 INTERNAL THREADS**

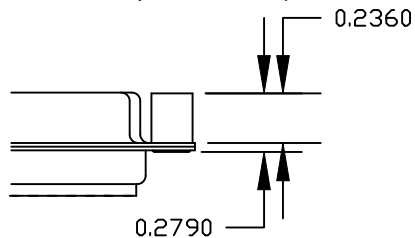
01X ..... 0.098" (BOARD SIDE) - CN1



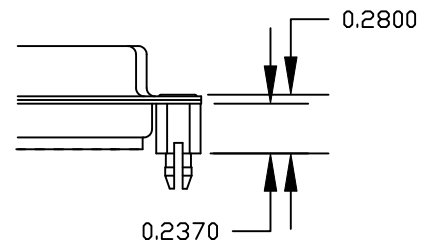
02X ..... 0.236" (BOARD SIDE) - CN2



03X..... 0.236" (MATING SIDE) - CN8



05X ..... 0.237" (BOARD SIDE) - CN10



**DO NOT SCALE FROM DRAWING**



THESE DRAWINGS AND SPECIFICATIONS ARE THE PROPERTY OF NorComp AND SHALL NOT BE REPRODUCED, COPIED OR USED AS THE BASIS FOR THE MANUFACTURE OF SALE OF APPARATUS WITHOUT WRITTEN PERMISSION.

DRAWN:  
**M. SIGMON**

DATE:  
**08-23-11**

CHECKED:

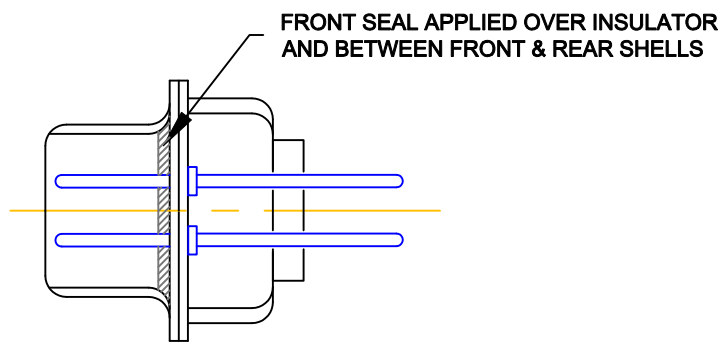
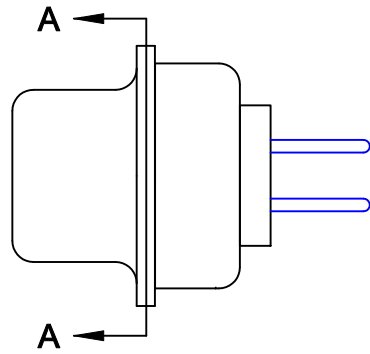
DATE:

**NorComp**

SCALE: SHEET **3** OF **4** REV **1**


DWG NO. **680-YYY-113RYY1**

**RoHS COMPLIANT**



DETAIL A-A

DO NOT SCALE FROM DRAWING

	THESE DRAWINGS AND SPECIFICATIONS ARE THE PROPERTY OF NorComp AND SHALL NOT BE REPRODUCED, COPIED OR USED AS THE BASIS FOR THE MANUFACTURE OF SALE OF APPARATUS WITHOUT WRITTEN PERMISSION.		DRAWN: <b>M. SIGMON</b>	DATE: <b>08-23-11</b>	
			CHECKED:	DATE:	
<h1>NorComp</h1>			SCALE:	SHEET <b>4</b> OF <b>4</b>	REV <b>1</b>
			DWG NO. <b>680-YYY-113RYY1</b>		

RoHS COMPLIANT

# Mouser Electronics

Authorized Distributor

Click to View Pricing, Inventory, Delivery & Lifecycle Information:

## NorComp:

[680-015-103L001](#) [680-015-103L011](#) [680-015-103L021](#) [680-015-103L031](#) [680-015-113R001](#) [680-015-113R011](#)  
[680-015-113R021](#) [680-015-113R031](#) [680-015-113R051](#) [680-026-103L001](#) [680-026-103L011](#) [680-026-103L021](#) [680-](#)  
[026-103L031](#) [680-026-113R001](#) [680-026-113R011](#) [680-026-113R021](#) [680-026-113R031](#) [680-026-113R051](#) [680-](#)  
[044-103L001](#) [680-044-103L011](#) [680-044-103L021](#) [680-044-103L031](#) [680-044-113R001](#) [680-044-113R011](#) [680-044-](#)  
[113R021](#) [680-044-113R031](#) [680-044-113R051](#)