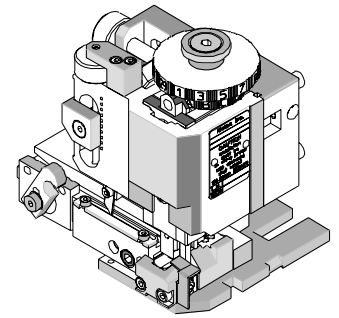




FineAdjust Applicator Specification Sheet Part No. 63860-6000



FEATURES

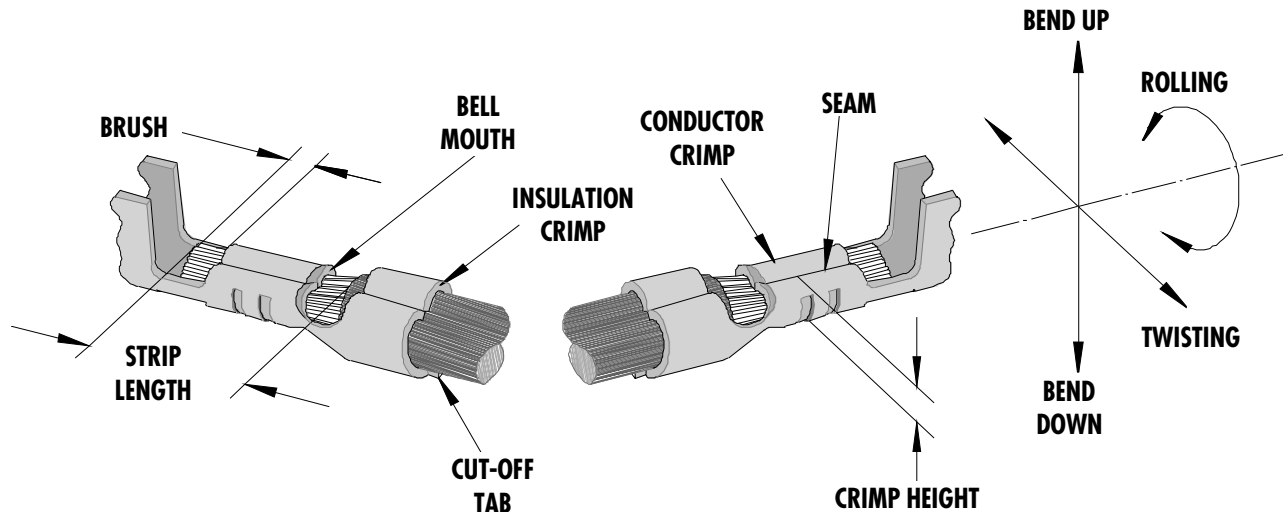
- Directly adapts to most automatic wire processing machines
- Quick punch removal with the push of a button for fast and easy tooling change
- Applicator designed to industry standard mounting and shut height 135.80mm (5.346")
- Quick set-up time; plus the crimp height, track and feed adjustments can be set without removing the applicator from the press
- Fine adjustment allows users to achieve target with little effort by adjusting in increments of .015mm (.0006") for conductor crimp height and .063mm (.0025") for insulation height
- Independent adjustment rings allow users to quickly adjust the conductor or insulation crimp height without affecting each other

SCOPE

Products: 2.50mm (.098") Pitch Splash Proof Crimp Terminal, 20-22 AWG.

| Terminal Series No. | Terminal Order No. | Wire Size | | Insulation Diameter | | Strip Length | |
|---------------------|--------------------|-----------|-----------------|---------------------|-----------|--------------|-----------|
| | | AWG | mm ² | mm | In. | mm | In. |
| 50038 | 50038-8000 | 20-22 | 0.50-0.35 | 1.50-1.90 | .059-.075 | 2.00-2.50 | .078-.098 |
| 50039 | 50039-8000 | 20-22 | 0.50-0.35 | 1.50-1.90 | .059-.075 | 2.00-2.50 | .078-.098 |

DEFINITION OF TERMS



The above terminal drawing is a generic terminal representation. It is not an image of a terminal listed in the scope.

CRIMP SPECIFICATION

| Terminal Series No. | Bell mouth | | Cut-off Tab Max. | | Conductor Brush | |
|---------------------|------------|-----------|------------------|------|-----------------|-----------|
| | mm | In. | mm | In. | mm | In. |
| 50038 | 0.00-0.30 | .000-.012 | 0.30 | .012 | 0.10-0.90 | .004-.035 |
| 50039 | 0.00-0.30 | .000-.012 | 0.30 | .012 | 0.10-0.90 | .004-.035 |

| Terminal Series No. | Bend up | Bend down | Twist | Roll | Punch Width mm (Ref) | | | | Seam |
|---------------------|--------------|-----------|--------------|------|----------------------|------|------------|------|---|
| | | | | | Conductor | | Insulation | | |
| | Degree (Max) | | Degree (Max) | | mm | In | mm | In | |
| 50038 | 2 | 0 | 3 | 10 | 1.40 | .055 | 1.80 | .070 | Seam shall not be open and no wire allowed out of the crimping area |
| 50039 | 2 | 0 | 3 | 10 | 1.40 | .055 | 1.80 | .070 | |

After crimping, the conductor profile should measure the following.

| Terminal Order No. | Wire Size | | Conductor Crimp Height | | Pull Force Min. | |
|--------------------|-----------|-----------------|------------------------|-----------|-----------------|------|
| | AWG | mm ² | mm | In. | N | Lb. |
| 50038-8000 | 20 | 0.50 | 0.96-1.06 | .038-.042 | 53.3 | 12.0 |
| | 22 | 0.35 | 0.94-0.99 | .037-.039 | 48.9 | 11.0 |
| 50039-8000 | 20 | 0.50 | 0.96-1.06 | .038-.042 | 53.3 | 12.0 |
| | 22 | 0.35 | 0.94-0.99 | .037-.039 | 48.9 | 11.0 |

Pull Force should be measured with no influence from the insulation crimp.

The above specifications are guidelines to an optimum crimp.

PARTS LIST

| FineAdjust Applicator 63860-6000 | | | | |
|--|-----------------|------------------------|--------------------------|-----------------|
| Item | Order No | Engineering No. | Description | Quantity |
| Perishable Tooling | | | | |
| | 63860-6070 | 63860-6070 | Tool Kit (All "Y" Items) | REF |
| 1 | 63444-1407 | 63444-1407 | Conductor Punch | 1 Y |
| 2 | 63445-1431 | 63445-1431 | Conductor Anvil | 1 Y |
| 3 | 63446-1808 | 63446-1808 | Insulation Punch | 1 Y |
| 4 | 63445-1810 | 63445-1810 | Insulation Anvil | 1 Y |
| 5 | 63443-0002 | 63443-0002 | Cut-Off Plunger | 1 Y |
| 6 | 63443-0012 | 63443-0012 | Front Plunger Retainer | 1 Y |
| Other Components | | | | |
| 7 | 11-18-4083 | 60707-8 | Front Cover | 1 |
| 8 | 11-24-1067 | 4996-4 | Cut-off Plunger Spring | 1 |
| 9 | 11-40-4039 | 8302-5 | Front Plunger Striker | 1 |
| 10 | 63443-0009 | 63443-0009 | Scrape Chute | 1 |
| 11 | 63443-0021 | 63443-0021 | Lower Tooling Key | 1 |
| 12 | 63443-2406 | 63443-2406 | Anvil Mount | 1 |
| 13 | 63443-4005 | 63443-4005 | Wire Stop | 1 |
| 14 | 63443-6003 | 63443-6003 | Rear Cover | 1 |
| Frame | | | | |
| 15 | 63800-4901 | 63800-4901 | Top | 1 |
| 16 | 63801-3281 | 63801-3281 | Base | 1 |
| 17 | 63801-4650 | 63801-4650 | Track | 1 |
| Hardware | | | | |
| 18 | N/A | N/A | M3 by 6 Long SHCS | 2** |
| 19 | N/A | N/A | M4 by 6 Long SHCS | 1** |
| 20 | N/A | N/A | M4 by 12 Long BHCS | 2** |
| 21 | N/A | N/A | M4 by 16Lg SHCS | 1** |
| 22 | N/A | N/A | M4 by 20 Long SHCS | 1** |
| 23 | N/A | N/A | M4 by 50 Long SHCS | 1** |
| 24 | N/A | N/A | 3mm by 6 Long Roll Pin | 1** |
| 25 | N/A | N/A | #10-32 by 1/4" Long BHCS | 1** |
| ** Available from an industrial supply company such as MSC (1-800-645-7270). | | | | |

Assembly Drawing

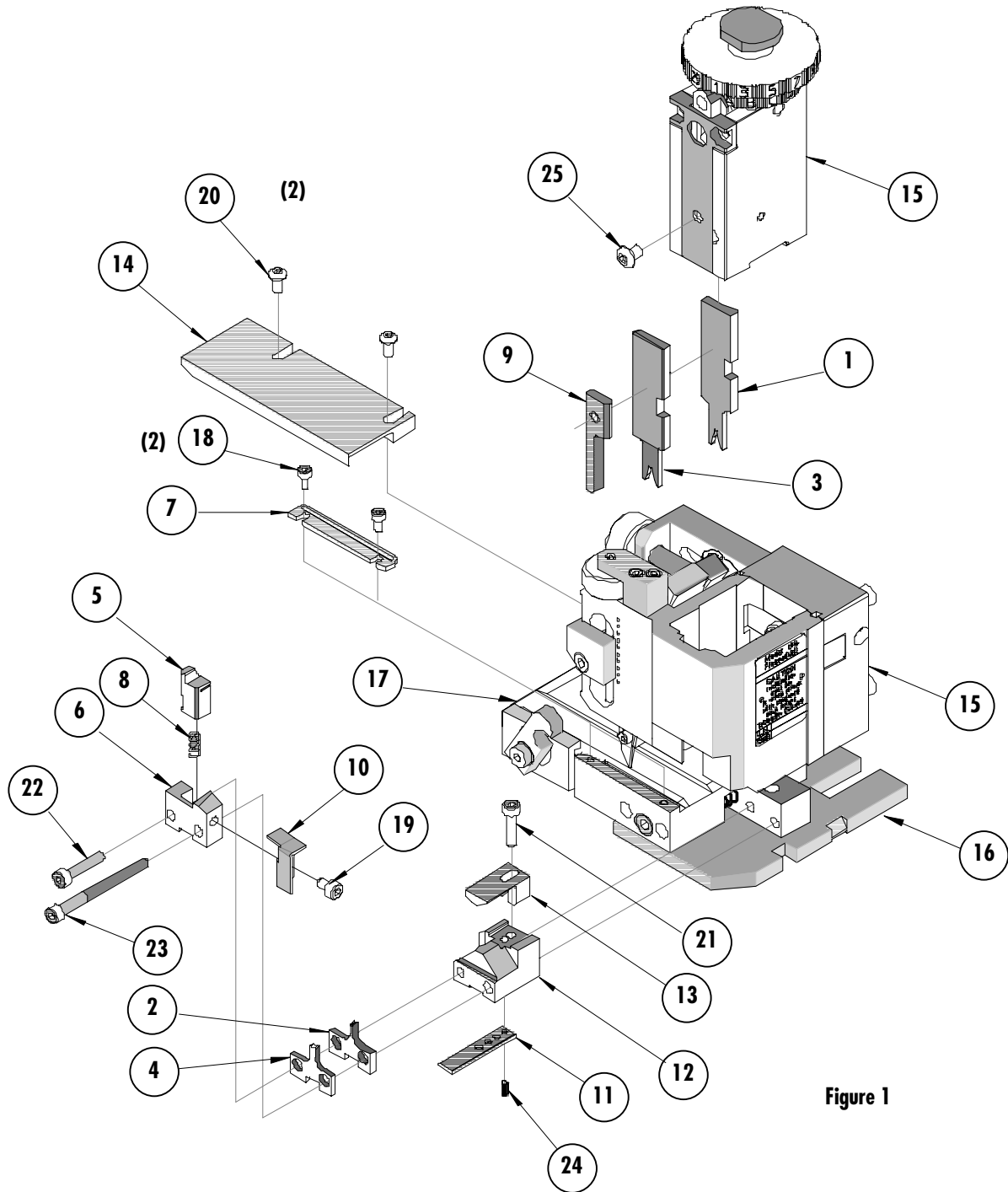


Figure 1

NOTES

1. Molex recommends an extra perishable tooling kit be maintained at your facility.
2. Verify tooling alignment by manually cycling the press and Applicator before crimping under power. Check that all screws are tight.
3. Slugs, Terminals, Dirt and Oil should be kept clear of work area.
4. Wear safety glasses at all times.
5. For recommended maintenance refer to the FineAdjust Manual.

CAUTION: This applicator should only be used in a press with a shut height of 135.8mm (5.346"). Tooling damage could result at a lower setting.

CAUTION: To prevent injury never operate this Applicator without the guards supplied with the press or wire-processing machine in place. Reference the press or wire processing manufacturer's instruction manual.

CAUTION: Molex crimp specifications are valid only when used with Molex terminals, applicators and tooling.

Americas Headquarters

Lisle, Illinois 60532 U.S.A.
1-800-78MOLEX
amerinfo@molex.com

Far East North Headquarters

Yamato, Kanagawa, Japan
81-462-65-2324
feninfo@molex.com

Far East South Headquarters

Jurong, Singapore
65-6-268-6868
fesinfo@molex.com

European Headquarters

Munich, Germany
49-89-413092-0
eurinfo@molex.com

Corporate Headquarters

2222 Wellington Ct.
Lisle, IL 60532 U.S.A.
630-969-4550
Fax: 630-969-1352

Visit our Web site at <http://www.molex.com>

Mouser Electronics

Authorized Distributor

Click to View Pricing, Inventory, Delivery & Lifecycle Information:

[Molex:](#)

[63860-6070](#)