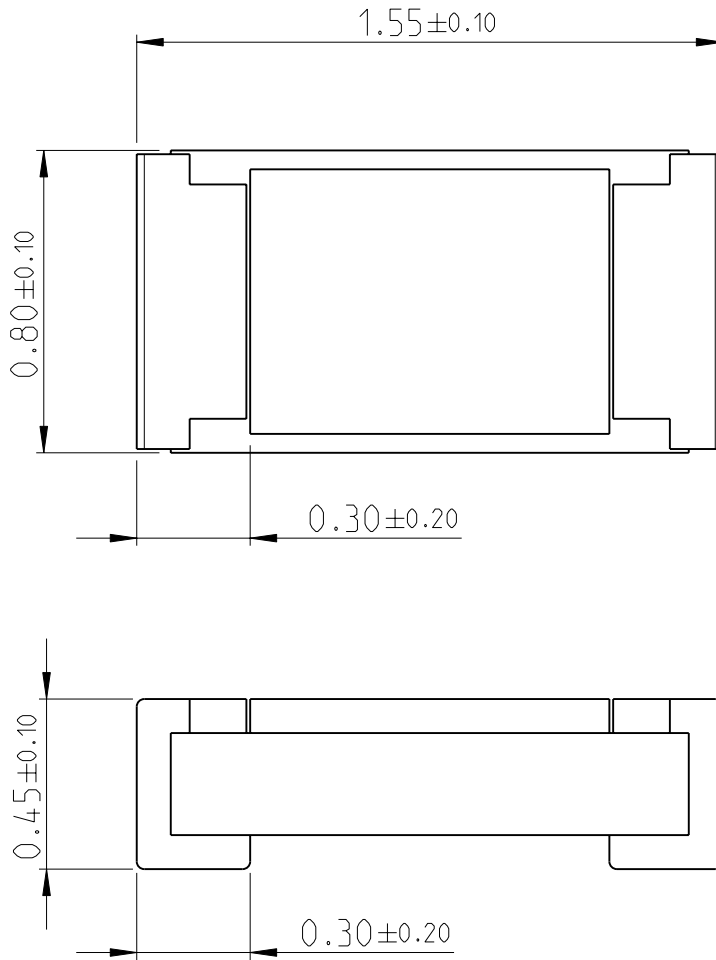
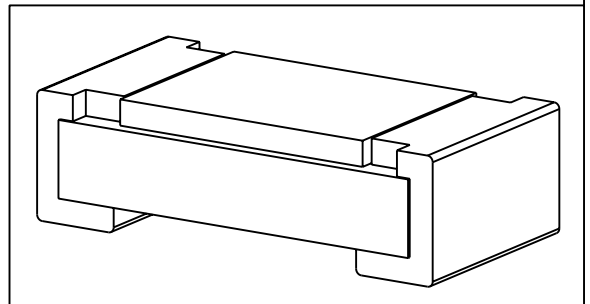


LOC	DIST	REVISIONS					
-	-	P	LTR	DESCRIPTION	DATE	DWN	APVD
		BA		NEW DRAWING	25APR2012	KR	St.P



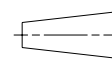


FOR FURTHER INFORMATION SEE DATA SHEET FOR
SMD HIGH POWER PRECISION RESISTORS - RP73 SERIES

RoHS Compliant



20
 RELEASED FOR PUBLICATION
 ALL RIGHTS RESERVED.
 BY -
 COPYRIGHT 20

DIMENSIONS:	DWN	25APR2012	MATERIAL	FINISH			
mm	RAGHAVENDRA K		-	-			
TOLERANCES UNLESS OTHERWISE SPECIFIED:	CHK	25APR2012	 TE Connectivity				
0 PLC ±	ALLAN P						
1 PLC ±0.5	APVD	25APR2012					
2 PLC ±0.13	STEPHEN.P		NAME HIGH POWER PRECISION CHIP RESISTORS - TYPE RP73P 0603 SERIES				
3 PLC ±0.013	PRODUCT SPEC		SIZE	CAGE CODE	DRAWING NO	RESTRICTED TO	
4 PLC ±0.0001	APPLICATION SPEC		A 4	00779	C-2176090	-	
ANGLES ±	WEIGHT	0.002 Gram	SCALE		SHEET	OF	REV
 	CUSTOMER DRAWING		40:1	1	1	BA	

Mouser Electronics

Authorized Distributor

Click to View Pricing, Inventory, Delivery & Lifecycle Information:

[TE Connectivity:](#)

[3-2176090-2](#)