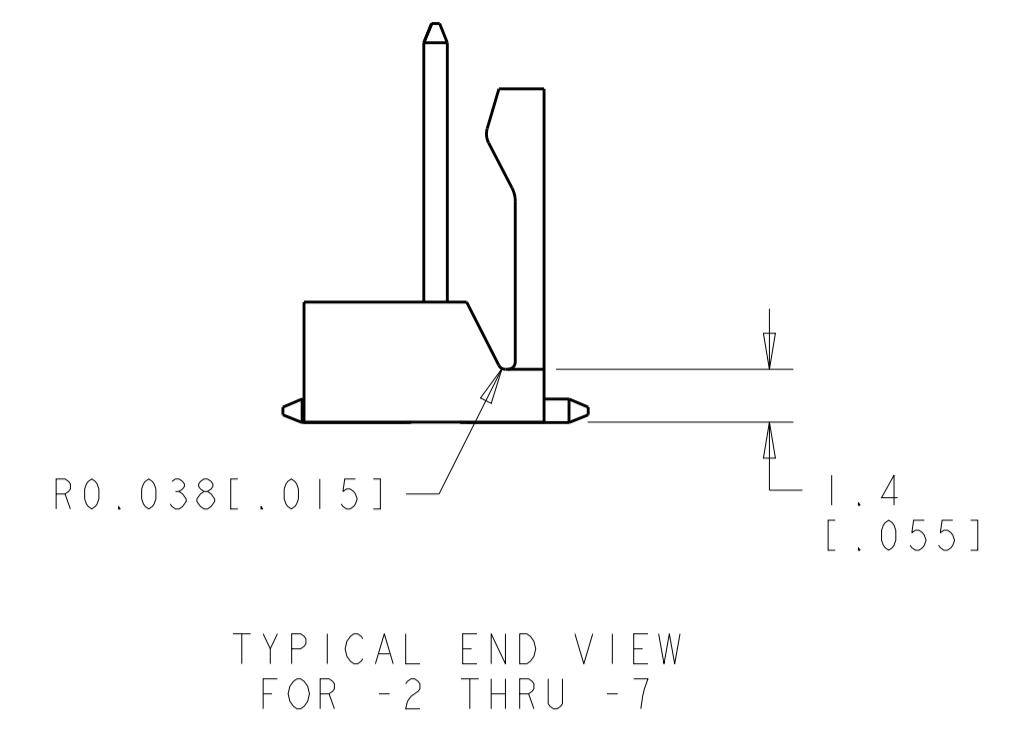
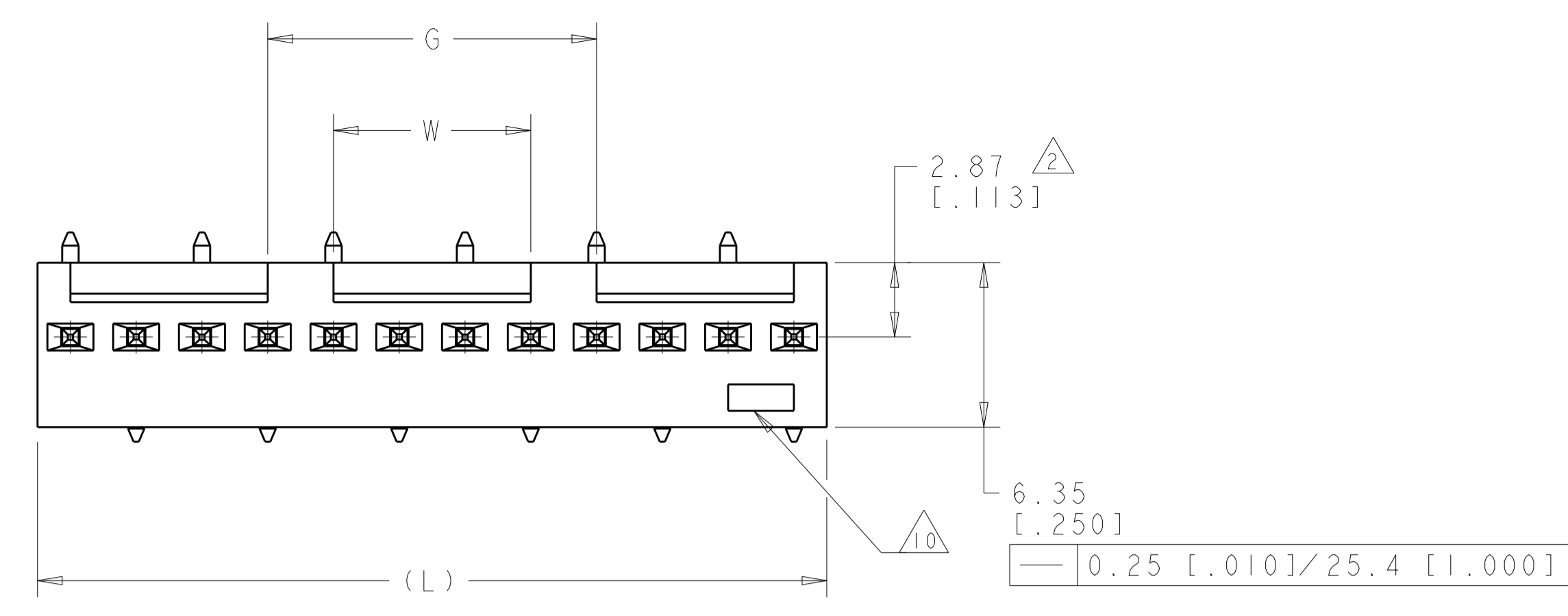
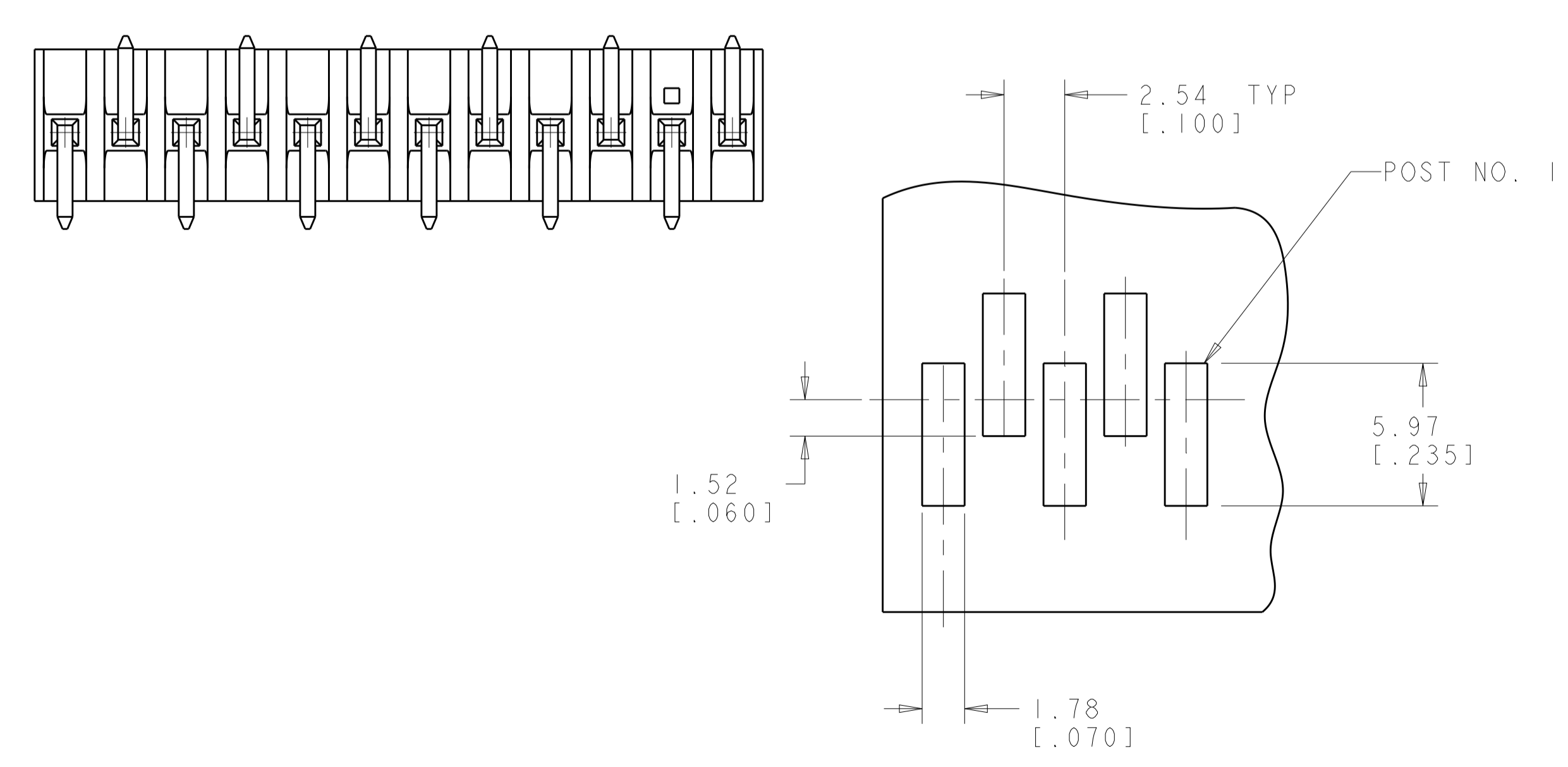
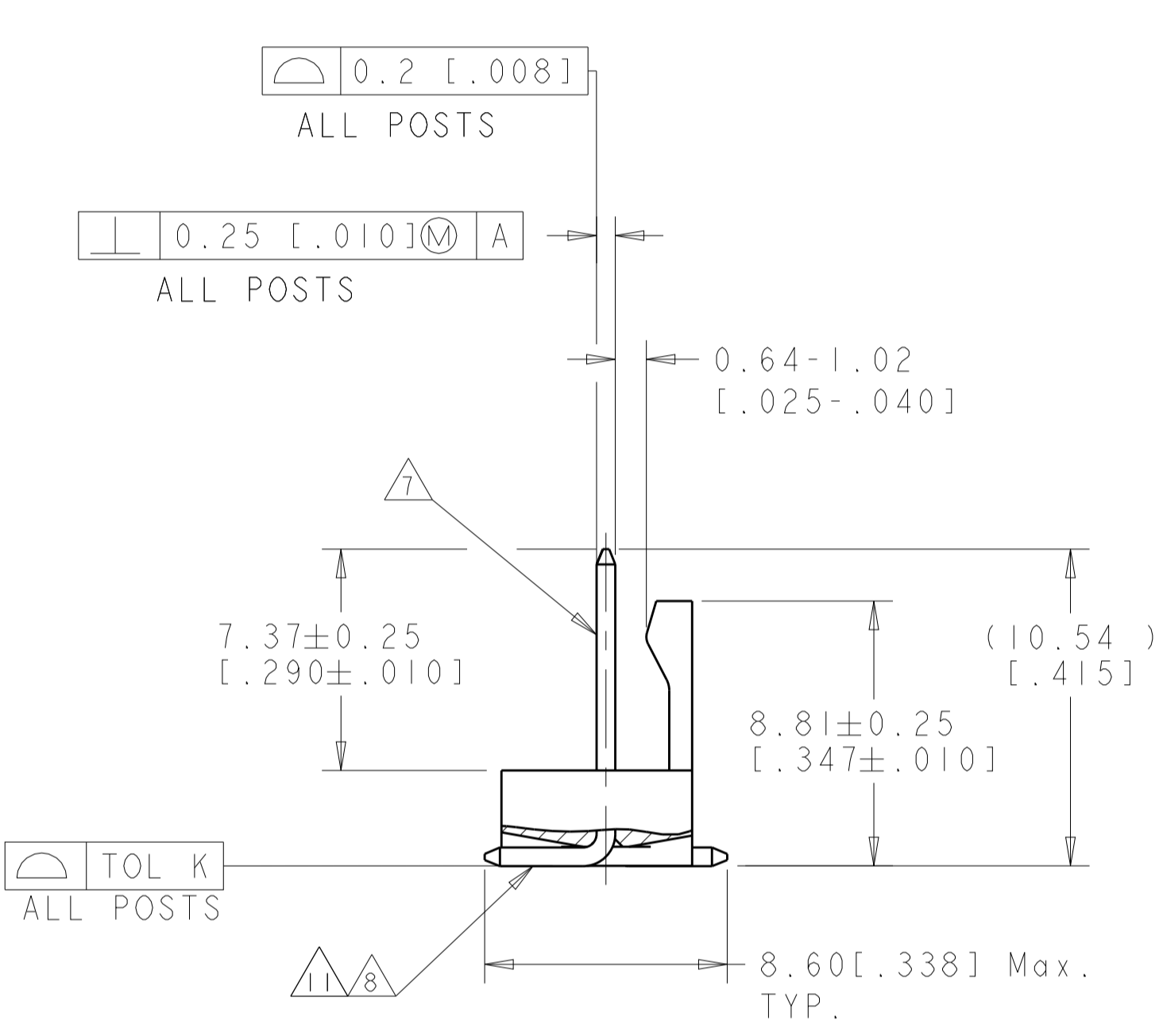
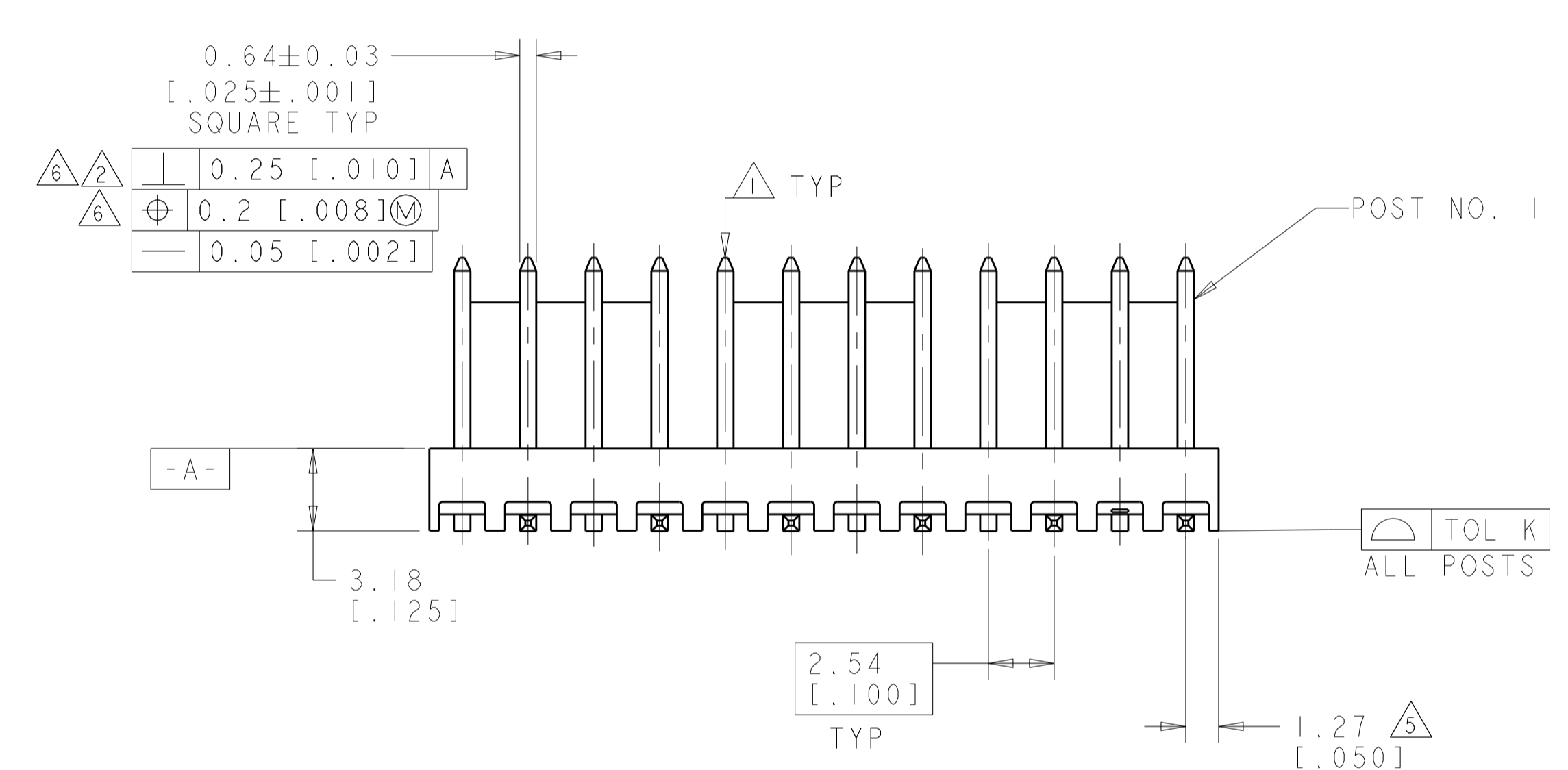


LOC	DIST	REVISIONS					
		P	LTN	DESCRIPTION	DATE	DWN	APVD
CM	00	P1		REVISED PER ECO-13-010175	20JUN2013	DZ	YHM
		P2		REVISED PER ECR-14-010237	24AUG2014	O.C	D.Z



- △ POST WITHSTAND 13 NEWTONS (3 LBS) MIN AXIAL FORCE IN DIRECTION SHOWN WITHOUT DISLODGING.
- △ MEASURED AT -A-.
- 3. PARTS COMPLY WITH SOLDERABILITY SPEC 109-11-2.
- △ MATERIAL:
HOUSING: NYLON, 4/6, UL94V-0, HIGH TEMP, BLACK.
POST - COPPER ALLOY (SEE TABLE FOR PLATING).
- △ COORDINATE DIMENSION APPLIES FROM CENTER OF ACTUAL FEATURE.
- △ POSTS TO BE MEASURED WHEN STRIP HELD FLAT.
- △ PLATING: GOLD PLATE AREA, 0.00076 [0.00030] GOLD OR 0.00008 [0.00003] MIN GOLD FLASH OVER 0.00068 [0.00027] PALLADIUM NICKEL, PER TE CONNECTIVITY'S DISCRETION, ALL SIDES, OVER NICKEL UNDERPLATE, .00127 [0.00050] MIN, ALL SIDES AND ENTIRE LENGTH OF POST.
- △ BRIGHT TIN/LEAD (93/7) PLATE AREA, 0.00381-0.00889 [0.000150-.000350] THICK, ALL FOUR SIDES, 3.56 [0.140] MIN.
- 9. DIMENSIONS IN BRACKETS ARE IN INCHES.
- △ TE LOGO, UL, AND CSA TRADEMARKS TO APPEAR ON THIS SURFACE.
- △ MATTE TIN PLATE AREA, 0.00381-0.00889 [0.000150-.000350] THICK, ALL FOUR SIDES, 3.56 [0.140] MIN.
- △ OBSOLETE PARTS.



- △ SUPERSEDED BY 4-647168-2
- △ SUPERSEDED BY 4-647168-1
- △ SUPERSEDED BY 4-647168-0
- △ SUPERSEDED BY 3-647168-9
- △ SUPERSEDED BY 3-647168-7
- △ SUPERSEDED BY 3-647168-5
- △ SUPERSEDED BY 3-647168-2

△△	0.15 [0.006]	7.62 [0.300]	12.70 [0.500]	30.48 [1.200]	12	4-647168-2	
	0.15 [0.006]	-	10.16 [0.400]	27.94 [1.100]	11	4-647168-1	
	0.15 [0.006]	-	7.62 [0.300]	25.40 [1.000]	10	4-647168-0	
	0.15 [0.006]	-	5.08 [0.200]	22.86 [0.900]	9	3-647168-9	
	0.15 [0.006]	-	2.54 [0.100]	20.32 [0.800]	8	3-647168-8	
	0.15 [0.006]	-	-	17.78 [0.700]	7	3-647168-7	
	0.15 [0.006]	-	-	15.24 [0.600]	6	3-647168-6	
	0.15 [0.006]	-	-	12.70 [0.500]	5	3-647168-5	
	0.15 [0.006]	-	-	10.16 [0.400]	4	3-647168-4	
	0.15 [0.006]	-	-	7.62 [0.300]	3	3-647168-3	
△△	0.15 [0.006]	-	5.08 [0.200]	22.86 [0.900]	2	3-647168-2	
	0.20 [0.008]	12.70 [0.500]	20.32 [0.800]	38.10 [1.500]	15	1-647168-5	
	0.15 [0.006]	7.62 [0.300]	12.70 [0.500]	30.48 [1.200]	12	1-647168-2	
	0.15 [0.006]	-	10.16 [0.400]	27.94 [1.100]	11	1-647168-1	
	0.15 [0.006]	-	7.62 [0.300]	25.40 [1.000]	10	1-647168-0	
	0.15 [0.006]	-	5.08 [0.200]	22.86 [0.900]	9	647168-9	
	0.15 [0.006]	-	2.54 [0.100]	20.32 [0.800]	8	647168-8	
	0.15 [0.006]	-	-	17.78 [0.700]	7	647168-7	
	0.15 [0.006]	-	-	15.24 [0.600]	6	647168-6	
	0.15 [0.006]	-	-	12.70 [0.500]	5	647168-5	
△△	0.15 [0.006]	-	-	10.16 [0.400]	4	647168-4	
	0.15 [0.006]	-	-	7.62 [0.300]	3	647168-3	
	0.15 [0.006]	-	-	5.08 [0.200]	2	647168-2	
	POST FINISH	TOL K	W	G	L	NO OF POSN	PART NO

THIS DRAWING IS A CONTROLLED DOCUMENT. DWN: R. WHITAKER 4-NOV-2001
 CHK: D. BOSSI 14-NOV-2001
 APVD: D. BOSSI 14-NOV-2001

DIMENSIONS: mm [INCHES]
 TOLERANCES UNLESS OTHERWISE SPECIFIED:
 0 PLC ±
 1 PLC ±0.131 [0.005]
 2 PLC ±
 3 PLC ±
 4 PLC ±
 ANGLES ±30°

MATERIAL: △
 FINISH: △

APVD: D. BOSSI 14-NOV-2001
 NAME: A-100 HEADER ASSEMBLY, SURFACE MOUNT, FRICTION LOCK, .025 SQUARE STRAIGHT POST, .000030 GOLD
 PRODUCT SPEC: APPLICATION SPEC
 SIZE: A100779
 CAGE CODE: 647168
 WEIGHT: -
 CUSTOMER DRAWING: SCALE: N/A SHEET: 1 OF 1 REV: P2

TE Connectivity

Mouser Electronics

Authorized Distributor

Click to View Pricing, Inventory, Delivery & Lifecycle Information:

[TE Connectivity:](#)

[4-647168-0](#)