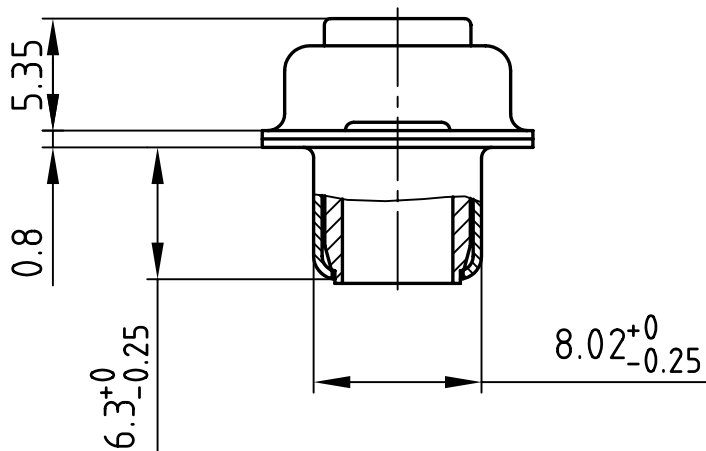
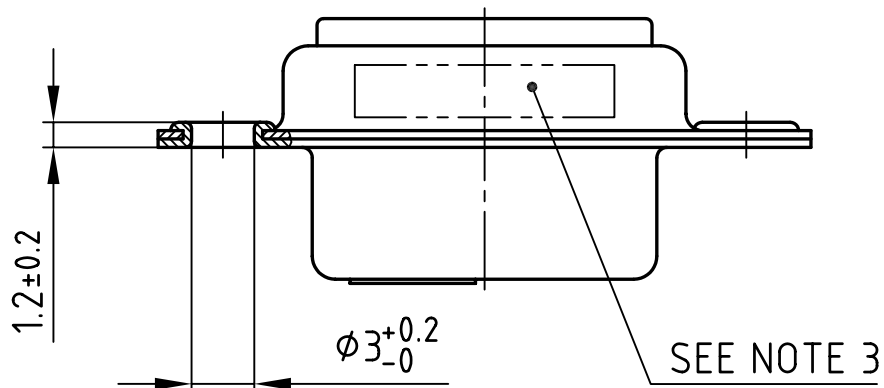
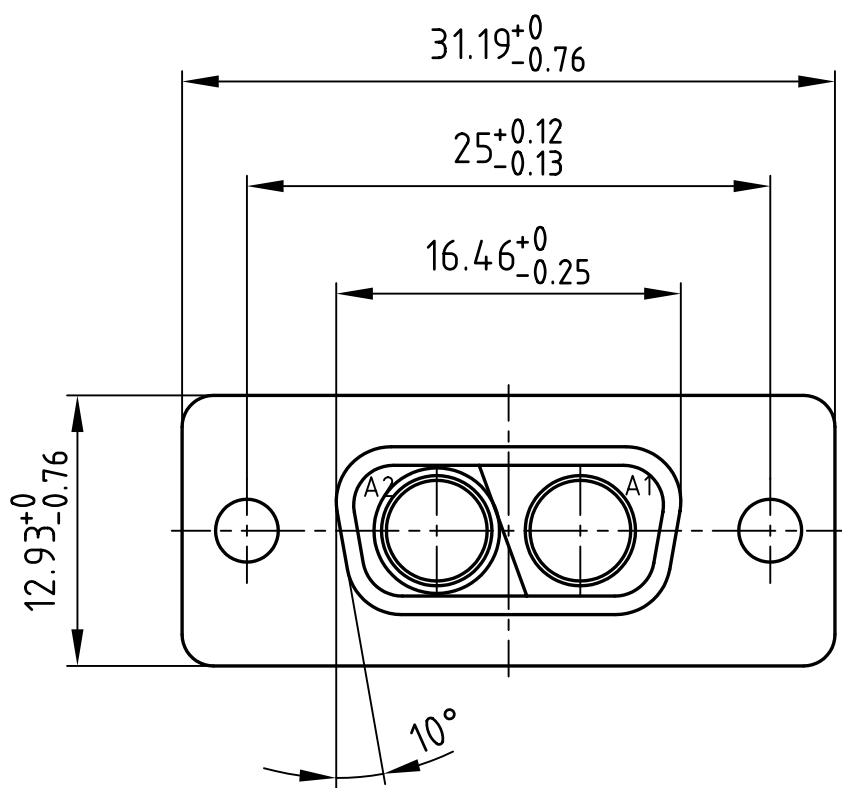


used for: D-SUB COMBINATION



Directive 2002/95/EC
"RoHS"
Compliant

APPROVAL # FREIGABE # DEBLOCAGE # AUTOR/ZACION # APPROVAL	
CUSTOMER APPROVAL DATE:	
NAME:	TITLE:
COMPANY NAME:	
APPROVAL # FREIGABE # DEBLOCAGE # AUTOR/ZACION # APPROVAL	

NOTES:

1. METALSHELLS: STEEL: TIN PLATED
2. INSULATORS: PBT GF UL 94 V-0; GREEN
3. CONNECTOR IS PART MARKED: PART-NO. CONEC ABC

THIS DRAWING MAY NOT BE COPIED OR REPRODUCED IN ANY WAY, AND MAY NOT BE PASSED ON TO A THIRD PARTY WITHOUT WRITTEN PERMISSION.
 OWNERSHIP AND COPYRIGHT OF CONEC GmbH
 DO NOT ALTER CAD DRAWING BY HAND

1998	date	name
drawn	17.09.	Barcinski
appd.	17.09.	Mickenbecker
norm		
d-old		

tolerance	dim. in mm
scale:	2:1
material:	SEE NOTES
title:	D-SUB COMBINATION FEMALE 2W2CS WITHOUT CONTACTS
dwg no:	AutoCAD/REL.13
	DIN-A 4
	sh: 1/1
part no:	13K1IJ3A 302W2CSXX99A10X



Mouser Electronics

Authorized Distributor

Click to View Pricing, Inventory, Delivery & Lifecycle Information:

[CONEC:](#)

[302W2CSXX99A10X](#)