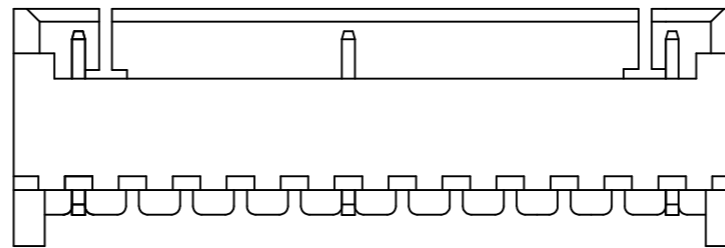
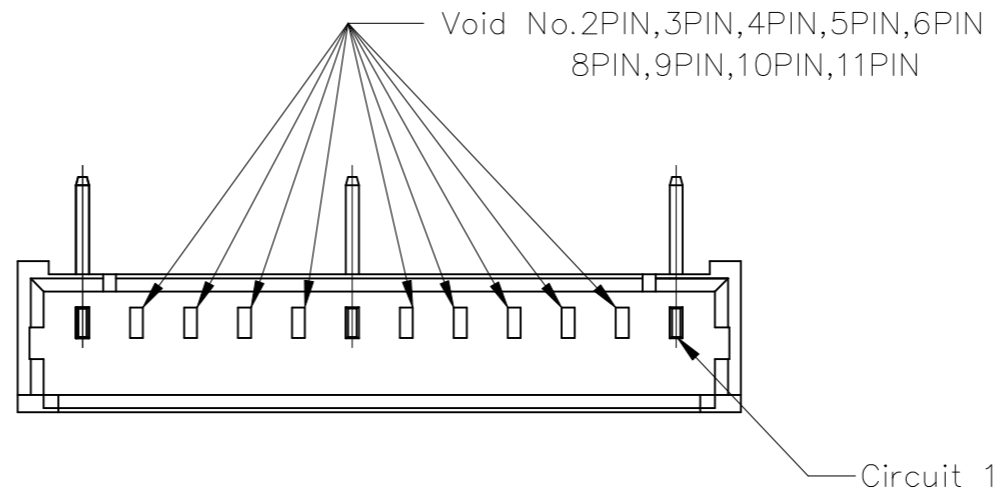


NOTES:

- SPECIFICATIONS
 Current Rating: 1A AC,DC
 Voltage Rating: 125V AC,DC
 Temperature Range: -40°C ~ +105°C
 Contact Resistance: 20mΩ Max.
 Insulation Resistance: 100MΩ Min.
 Withstanding Voltage: 500V AC/minute
- Material & finish:
 Housing: Natural Thermoplastic, UL94V-0
 Terminal: Phosphor Bronze
 Plating of contact area: Matte Tin or gold plating over Nickel
 Plating of solder area: Tin plated over Nickel
- Crimping application hand tool P/N: 10118656-1000
- Product specification: GS-12-675
- Packaging specification: GS-14-1593
- Ordering Information & Dimensions:
 10114831- X X X XX X LF
 Material: 1: LCP
 VOID: NORMAL
 1: SEE SHEET 2
 pin code from 02~15(D=2.0mm)
 pin code from 32~45(D=2.3mm)
 Plating:
 0: Matte Tin
 1: Gold Flash
 2: 15u" Gold ON CONTACT AREA
 3: 30u" Gold ON CONTACT AREA
 Packaging:
 1: Tape & Reel

Part No.		Dimensions			
D=2.0mm	D=2.3mm	POS	A	B	C
10114831-xxx02LF	10114831-xxx32LF	2	1.25±0.10	4.25	3.05
10114831-xxx03LF	10114831-xxx33LF	3	2.50±0.10	5.50	4.30
10114831-xxx04LF	10114831-xxx34LF	4	3.75±0.10	6.75	5.55
10114831-xxx05LF	10114831-xxx35LF	5	5.00±0.10	8.00	6.80
10114831-xxx06LF	10114831-xxx36LF	6	6.25±0.15	9.25	8.05
10114831-xxx07LF	10114831-xxx37LF	7	7.50±0.15	10.50	9.30
10114831-xxx08LF	10114831-xxx38LF	8	8.75±0.15	11.75	10.55
10114831-xxx09LF	10114831-xxx39LF	9	10.00±0.15	13.00	11.80
10114831-xxx10LF	10114831-xxx40LF	10	11.25±0.20	14.25	13.05
10114831-xxx11LF	10114831-xxx41LF	11	12.50±0.20	15.50	14.30
10114831-xxx12LF	10114831-xxx42LF	12	13.75±0.20	16.75	15.55
10114831-xxx13LF	10114831-xxx43LF	13	15.00±0.20	18.00	16.80
10114831-xxx14LF	10114831-xxx44LF	14	16.25±0.20	19.25	18.05
10114831-xxx15LF	10114831-xxx45LF	15	17.50±0.20	20.50	19.30

mat'l. code		surface ISO 1302		tolerance ISO 406/ISO 1101		projection		product family	
ltr		ecn no		dr		date		tolerances unless otherwise specified	
F		ELX-N-47289		JH		2023/01/17		angles	
								linear	
								.0±.5	
								.00±.25	
								.00±.010	
								0°±2'	
								scale 1:1	
				dr		Jeffrey.Huang		-	
				enr		Jeffrey.Huang		-	
				chr		TIM YAO		-	
				appd		TIM YAO		-	
sheet index		revision sheet		F		1~2		Amphenol FCI	
								dwg no	
								sheet1 of 2	
								size	
								A4	
								type	
								Product Customer Drawing	



10114831-XXXXX1LF

mat'l. code				surface ISO 1302 <input checked="" type="checkbox"/> ISO 406/ISO 1101		tolerance tolerances unless otherwise specified		projection 		product family -					
ltr				ecn no		dr		date		angles		linear		title WTB 1.25MM WAFER 90° DIP	
F				ELX-N-47289		JH		2023/01/17		0°±2'		.0±.5 .00±.25 .000±.010		mm	
sheet index				revision		F		1~2		dr		Jeffrey.Huang		-	
										engr		Jeffrey.Huang		-	
										chr		TIM YAO		-	
										appd		TIM YAO		-	
														scale 1:1	
														dwg no 10114831	
														sheet2 of 2	
														size A4	
														type Product Customer Drawing	