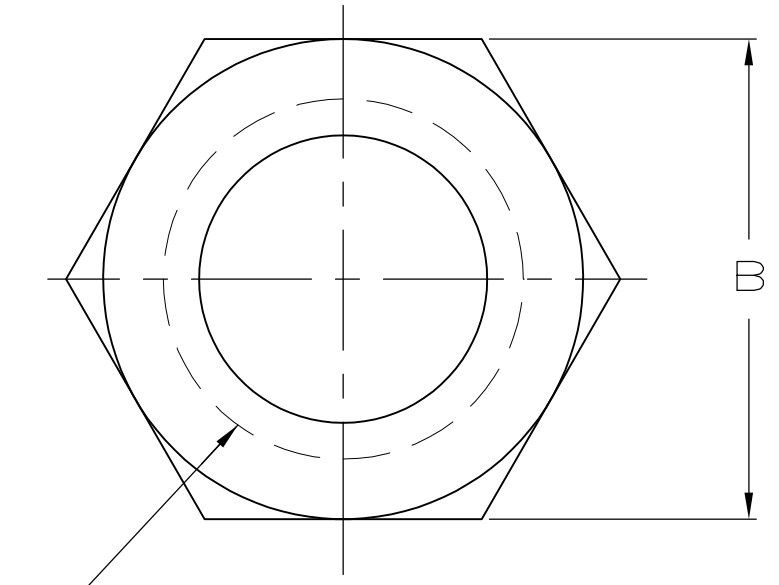
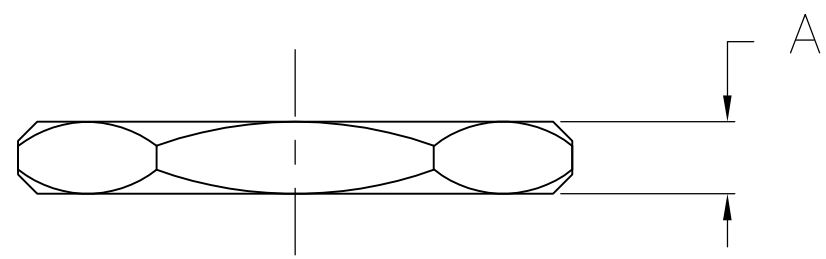


THIS DRAWING IS UNPUBLISHED. RELEASED FOR PUBLICATION
 © COPYRIGHT - By - ALL RIGHTS RESERVED.

REVISIONS				
P	LTR	DESCRIPTION	DATE	APVD
	H3	REVISED PER ECO-15-013169	16NOV2015	RZ RS



SEE TABLE FOR THREADS



- ① SILVER PL PER QQ-S-365, 2.54μm [.000100] MIN THICK.
- ② NICKEL PL PER QQ-N-290, 2.54μm [.000100] MIN THICK.
- ③ BRASS PER QQ-B-626
- ④ SEE SEPERATE RESTRICTED CUSTOMER DRAWING WITH THIS PART NUMBER.
- ⑤ BLACK NICKEL PLATE.

REPLACED BY 9-330249-0 OBSOLETE

B	A	THREADS	FINISH	PART NUMBER
.496±.008	3.18 [.125]	3/8-32 UNEF-2B	①	9-330249-0
.433±.006	1.91 [.075]	3/8-32 UNEF-2B	②	2-330249-2
.496±.008	1.91 [.075]	3/8-24 UNEF-2B	⑤	1-330249-8
.496±.008	2.36 [.093]	3/8-32 UNEF-2B	②	1-330249-7
-	-	-	-	1-330249-5
.496±.008	1.91 [.075]	3/8-24 UNEF-2B	②	1-330249-4
.496±.008	3.18 [.125]	3/8-32 UNEF-2B	②	1-330249-1
.496±.008	3.18 [.125]	3/8-32 UNEF-2B	①	330249

THIS DRAWING IS A CONTROLLED DOCUMENT.		DWN M. SNEED 6-26-91	STE TE Connectivity		
DIMENSIONS: INCHES		CHK R. HENRY 6-26-91			
TOLERANCES UNLESS OTHERWISE SPECIFIED:		APVD -	NAME JAM NUT		
0 PLC ± -		PRODUCT SPEC -	SIZE A3		
1 PLC ± -		APPLICATION SPEC -	CAGE CODE 00779	DRAWING NO C-330249	RESTRICTED TO -
2 PLC ± -		WEIGHT -	SCALE 5:1		
3 PLC ± 0.41 [.016]		CUSTOMER DRAWING			
4 PLC ± -		SHEET 1 OF 1			
ANGLES ± -		REV H3			
MATERIAL ①		FINISH SEE TABLE			

Mouser Electronics

Authorized Distributor

Click to View Pricing, Inventory, Delivery & Lifecycle Information:

[TE Connectivity:](#)

[1-330249-1](#)