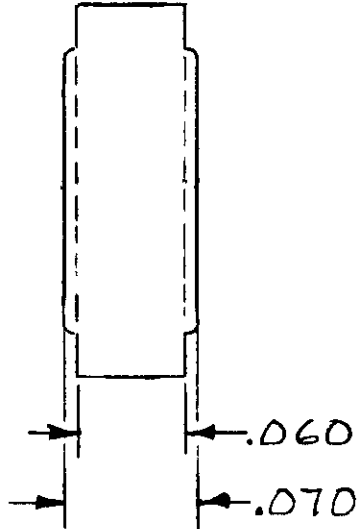
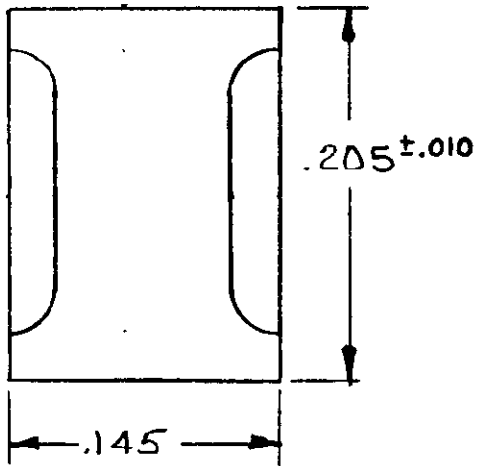


© COPYRIGHT 1975 BY AMP INCORPORATED, HARRISBURG, PA. ALL INTERNATIONAL RIGHTS RESERVED. AMP INCORPORATED PRODUCTS COVERED BY U. S. AND FOREIGN PATENTS AND /OR PATENTS PENDING.

REVISIONS			
LTR	DESCRIPTION	DATE	APPROVED
A	REV./AD0507	SLP 11/30/84	

UNPUBLISHED COPY NOT TO BE REPRODUCED NOR PUBLISHED WITHOUT WRITTEN PERMISSION OF AMP INCORPORATED.

530533-1 I.A.S SHOWN



UNLESS OTHERWISE SPECIFIED DIMENSIONS ARE IN INCHES. TOLERANCES ON: DECIMALS ± .005 ANGLES ±

CONTRACT NO
 DR *Reynolds* 10-3-75
 CHK *W. Smith* 10-3-75
 APPD *W. Bushney* 10-3-75
 APPD *R. Showman* 10-6-75



MATERIAL NYLON: GLASS FILLED.

FINISH COLOR - NATURAL

NAME PLUG KEYING HI-CURRENT CONNECTOR

SIZE	CODE IDENT NO	DRAWING NO
A	00779	530533
SCALE 10-1	SHEET	

Mouser Electronics

Authorized Distributor

Click to View Pricing, Inventory, Delivery & Lifecycle Information:

[TE Connectivity:](#)

[530533-1](#)