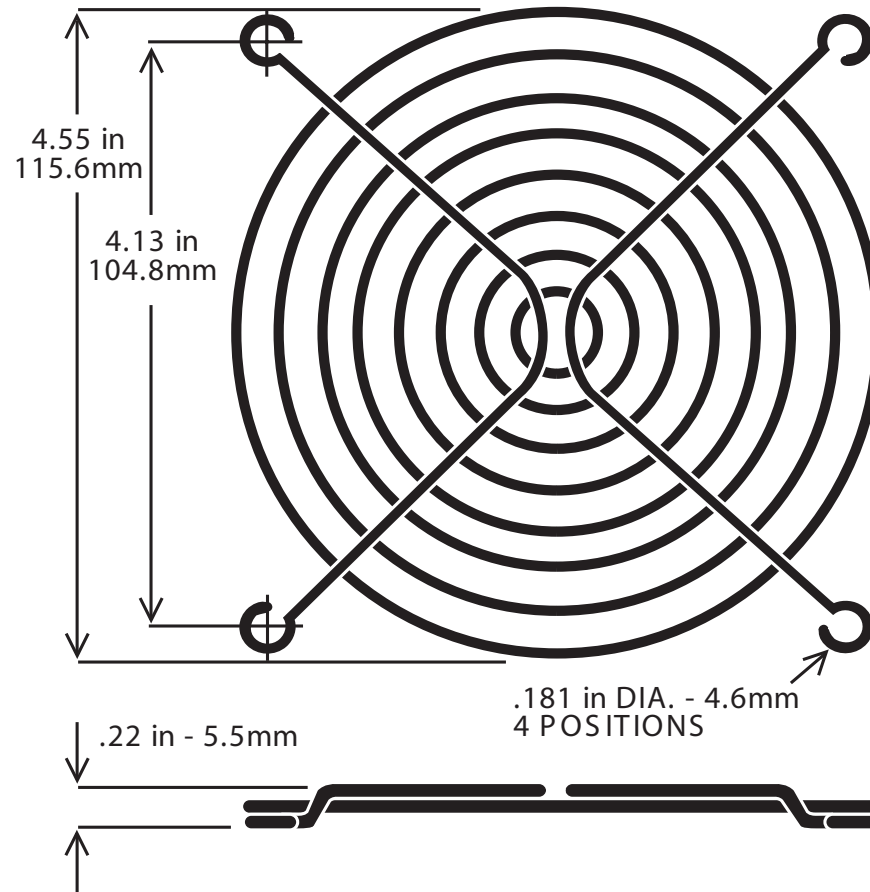


ADDA USA
714-674-7920

Part Number:
FG 120-W5

Material: C1008 Steel
Plating: Bright Nickel Chrome
(other plating styles are available upon request)
Ring Diameter: 1.8mm
Rib Diameter: 1.8mm



Mouser Electronics

Authorized Distributor

Click to View Pricing, Inventory, Delivery & Lifecycle Information:

[ADDA:](#)

[FG120-W5](#)