

REVISIONS			
LTR	DESCRIPTION	DATE	APPVD
G	(CL11) SEE CHANGE NOTICE ECN:C3955	9/1/16	Prescott

AC THREADED SERIES

AC C L 06 AF 18-1 S X (025)
 1 2 3 4 5 6 7 8 9

1	
SERIES	
AC	AMPHENOL INDUSTRIAL CONNECTORS
2	
CONTACT STYLE	
C	CRIMP CONTACTS
S	SOLDER CONTACTS
3	
MODIFIER	
L	LOW SMOKE ZERO HALOGEN INSERTS AND GROMMETS
4	
SHELL STYLE	
00	WALL MOUNT RECEPTACLE
01	IN LINE RECEPTACLE
02	BOX MOUNT RECEPTACLE
04	01 LESS BACK HARDWARE
05	06 LESS BACK HARDWARE
06	STRAIGHT PLUG
08	90° ANGLE PLUG

5	
CLASS	
A	GENERAL DUTY
E	ENVIRONMENTAL / WIRE BUNDLE
F	ENVIRONMENTAL / WIRE BUNDLE
R	ENVIRONMENTAL WITH GT R CLASS ADAPTER COMPRESSION SLEEVE AND GROMMET.
AD	GENERAL DUTY
AF	GENERAL DUTY
CF	ADAPTER, JACKETED CABLE CLAMP, ENVIRONMENTAL
LCFZ	LONG ADAPTER, INDIVIDUAL WIRE SEALING GROMMET, JACKETED CABLE CLAMP, ENVIRONMENTAL
PG	ENVIRONMENTAL / JACKETED CABLE
SB	ADAPTER, BACKSHELL FOR SHIELD BRAID & HEAT SHRINK/BOOT, INDIV WIRE GROMMET, ENVIRONMENTAL

6	
SHELL SIZE & ARRANGEMENT	
SEE L-11908/48-()	
7	
CONTACT GENDER	
P	PIN CONTACT
S	SOCKET CONTACT
R	RADSOK SOCKET
8	
ALTERNATE ROTATIONS	
W	SEE DRAWING 10-74800/899
X	
Y	
Z	
9	
VARIATIONS	
(003)	OLIVE DRAB CADMIUM PLATE
(023)	ELECTROLESS NICKEL PLATE
(024)	GREEN ZINC ALLOY PLATE
(025)	BLACK ZINC ALLOY PLATE
(B30)	GOLD PLATED CONTACTS
(G96)	BLACK ANODIZE HARD COAT
(L/C)	LESS CONTACTS

TABLE OF CONTENTS	
SHELL STYLE	PAGES
AC()00	2-4
AC()01	5-7
AC()02	8-9
AC()04)	10-11
AC()06	12-15
AC()08	16-18
NOTES	19
AN, MS DETAILS	20

SEE SHEET 19

NOTES:

THE USE OF THIS DOCUMENT IS UNLIMITED. HOWEVER, DOCUMENTS REFERENCED HEREON MAY CONTAIN LIMITED RIGHTS DATA.

N/A
N/A
NEXT ASSEMBLY

UNLESS OTHERWISE SPECIFIED	SPECIFICATIONS	POS	QTY	PART NUMBER	DESCRIPTION	NOTE
LINEAR DIMENSIONS ARE IN INCHES TOLERANCES: .XXXX = ±.0005 .XXX = ±.010 .XX = ±.03 .X = ±.1 ANGLES = ±2° OTHER STANDARDS PER 9-3800 AND DOD-D-1000 THIRD ANGLE PROJECTION	MATERIAL SPEC.	APPROVALS		DATE	AMPHENOL CORPORATION <small>SIDNEY, N.Y. 13838</small> AC THREADED SERIES	
	N/A	PREPARED	OLEKSIK	24-Jun-97		
	PROCESS SPEC.	SEE NOTES 6 AND 7, 9-9306	CHECKED	DEMATTEO	12/22/97	AC THREADED SERIES
			MATERIAL			
		APPROVED	OLEKSIK	12/23/97		
		APPROVED	GALLUSSER	12/23/97		
		PRO/ENG INFORMATION				
		ACSERIESPGI				
		SIZE	FSCM NO.	DOCUMENT NO.	REV.	
		C	77820	AC SERIES	G	
		SCALE: NONE	REF: N/A	SHEET 1 OF 20		

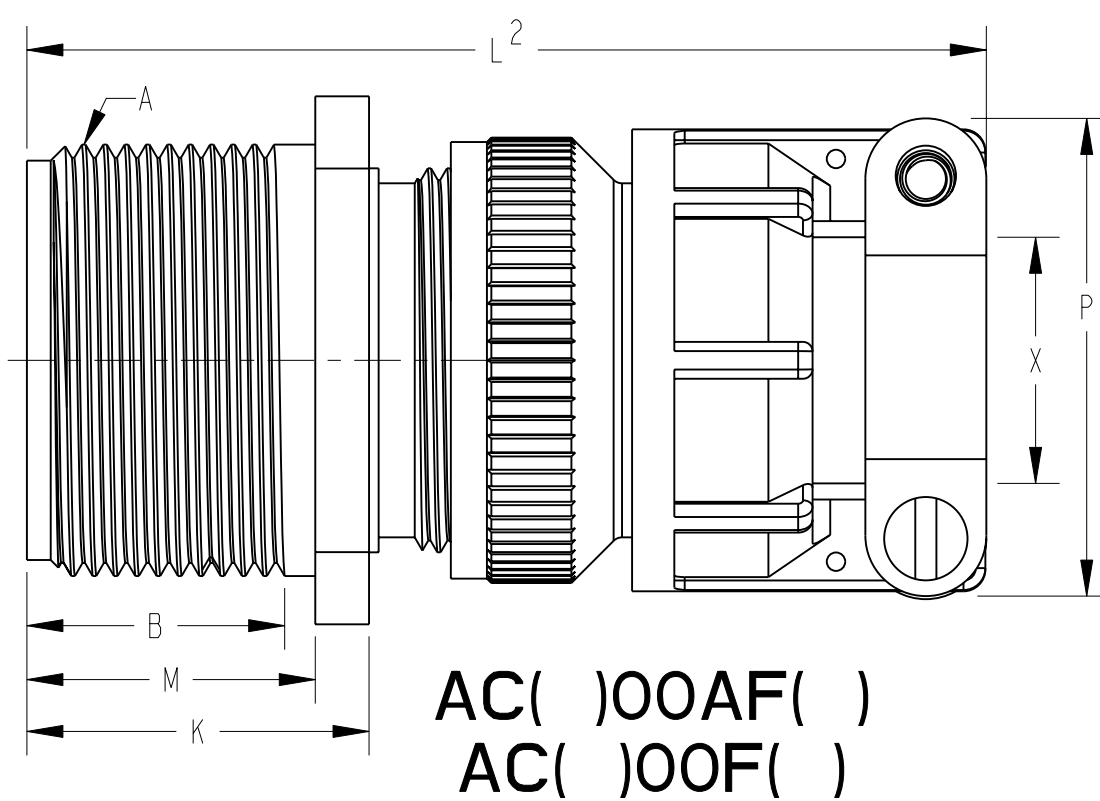
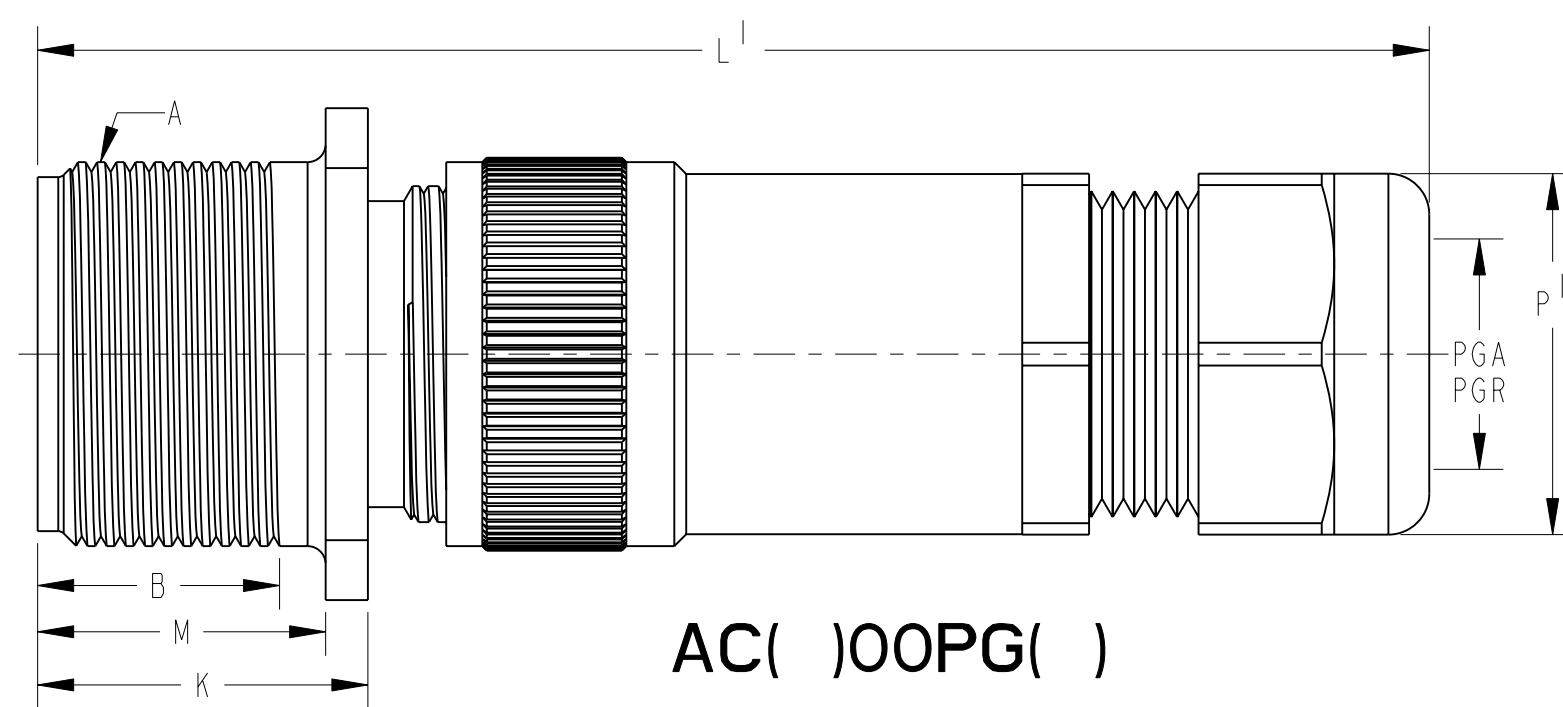
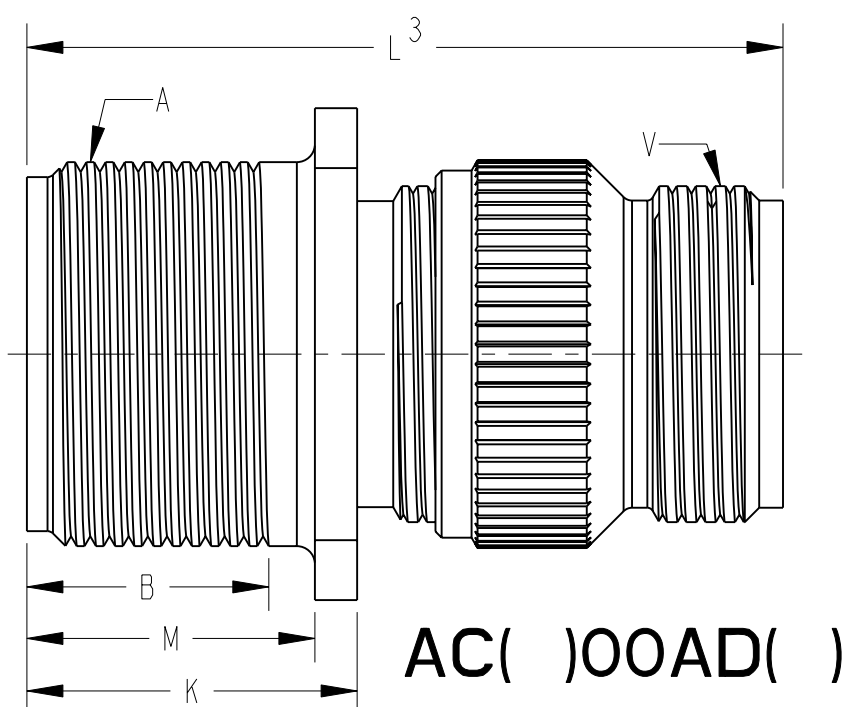
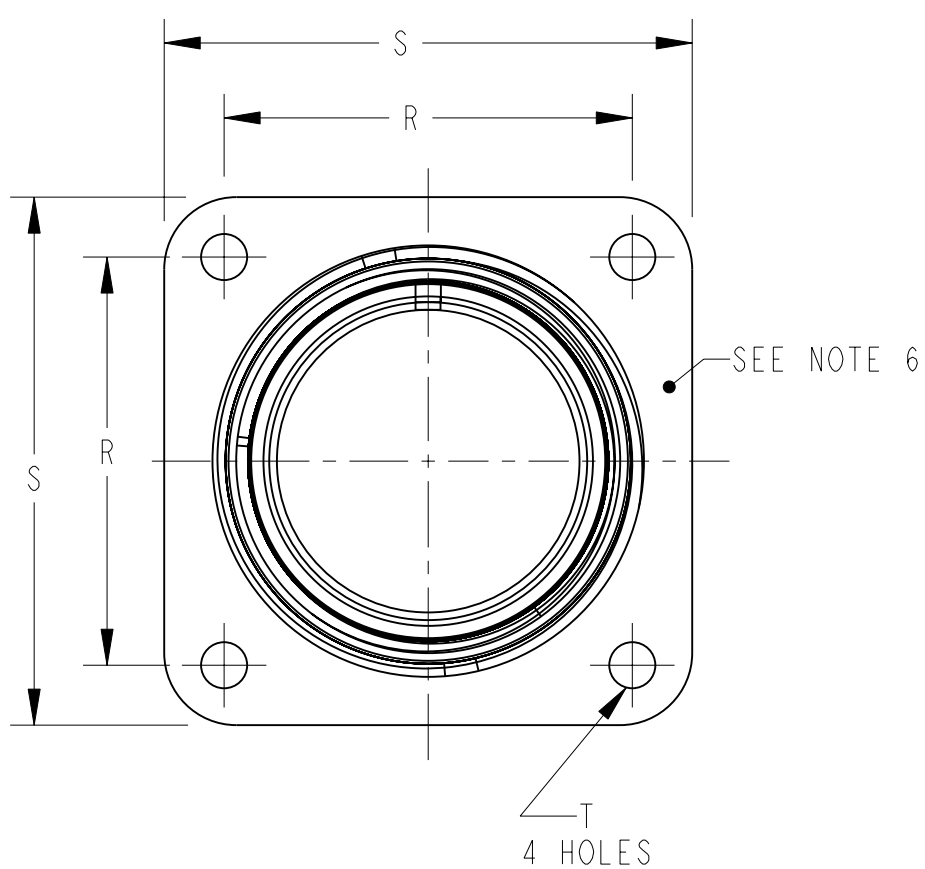
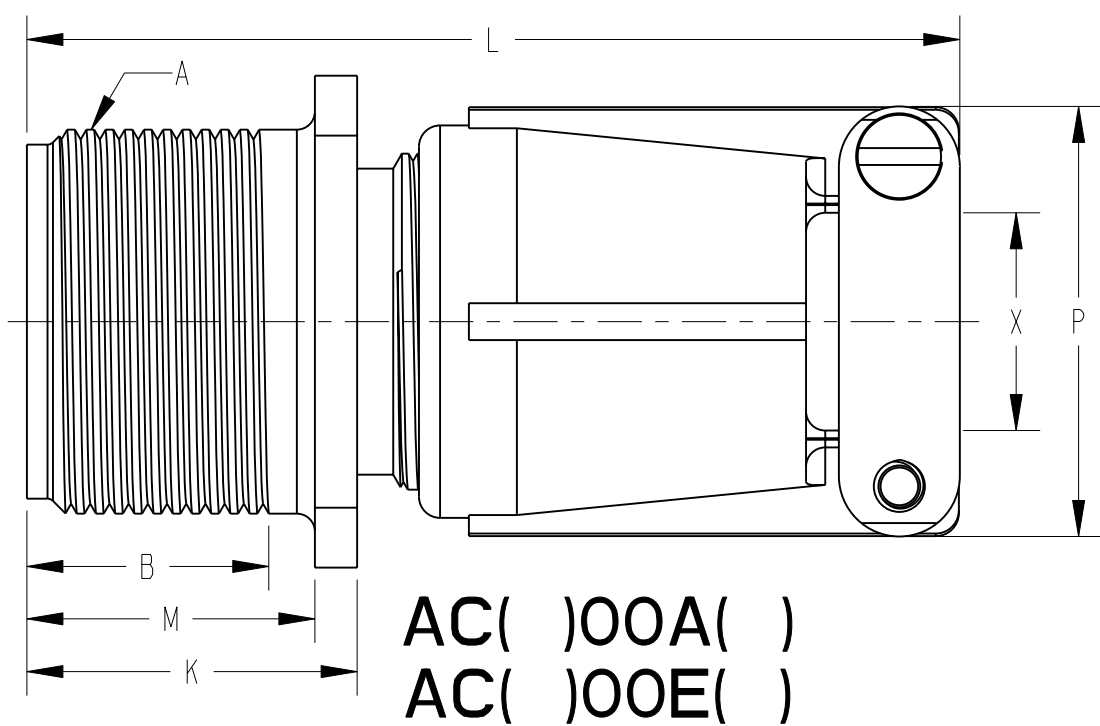
FAMCODES|DATA3:ACX TNS|CICS: 1495

AC SERIES

U

TAB.

AC()00()



SEE SHEET 19.

NOTES:

THE USE OF THIS DOCUMENT IS UNLIMITED.
HOWEVER, DOCUMENTS REFERENCED HEREON
MAY CONTAIN LIMITED RIGHTS DATA.

SIZE C	FSCM NO. 77820	DOCUMENT NO. AC SERIES	REV. G
SCALE: NONE	REF: N/A	SHEET 2 OF 20	

UIC NO
 AC SERIES
 SH 2 OF 19

AC()00()

SHELL SIZE	A THREAD CLASS 2A	B MIN. FULL THREAD	K +.020 -.010	L MAX	L ¹ MAX	L ² MAX	L ³ MAX	M +.010 -.000	P MAX	P ¹ HEX FLATS REF	PGA REF	PGR REF	R ±.005	S ±.010	T DIA +.004 -.002	V THREAD CLASS 2A	X MAX O.D. CABLE
10SL	.6250-24 UNEF	.391	.672	2.129	3.010	2.189	1.468	.562	.894	.750	.150/.320	.070/.240	.719	1.000	.120	.6250-24 UNEF	.312
12S	.7500-20 UNEF	.450	.672	2.129	3.010	2.261	1.468	.562	.894	.750	.150/.320	.070/.240	.812	1.094	.120	.6250-24 UNEF	.312
12	.7500-20 UNEF	.625	.860	2.524	3.500	2.644	1.468	.750	.894	.750	.150/.320	.070/.240	.812	1.094	.120	.6250-24 UNEF	.312
14S	.8750-20 UNEF	.450	.672	2.201	3.188	2.261	1.468	.562	1.083	.880	.190/.390	.110/.280	.906	1.188	.120	.7500-20 UNEF	.438
14	.8750-20 UNEF	.625	.860	2.524	3.641	2.644	1.468	.750	1.083	.880	.190/.390	.110/.280	.906	1.188	.120	.7500-20 UNEF	.438
16S	1.0000-20 UNEF	.450	.672	2.201	3.265	2.266	1.468	.562	1.181	.940	.230/.470	.190/.350	.969	1.281	.120	.8750-20 UNEF	.531
16	1.0000-20 UNEF	.625	.860	2.524	3.718	2.644	1.468	.750	1.181	.940	.230/.470	.190/.350	.969	1.281	.120	.8750-20 UNEF	.531
18	1.1250-18 UNEF	.625	.891	2.596	3.718	2.716	1.938	.750	1.300	.940	.230/.470	.190/.350	1.063	1.375	.120	1.0000-20 UNEF	.625
20	1.2500-18 UNEF	.625	.891	2.654	3.798	2.774	1.844	.750	1.487	1.060	.390/.560	.270/.470	1.156	1.500	.120	1.1875-18 UNEF	.750
22	1.3750-18 UNEF	.625	.891	2.654	4.080	2.916	1.938	.750	1.487	1.060	.390/.560	.270/.470	1.250	1.625	.120	1.1875-18 UNEF	.750
24	1.5000-18 UNEF	.625	.953	2.885	4.142	3.051	1.970	.812	1.712	1.060	.390/.560	.270/.470	1.375	1.750	.147	1.4375-18 UNEF	.938
28	1.7500-18 UNS	.625	.953	2.885	4.291	3.140	2.189	.812	1.712	1.300	.510/.710	.350/.630	1.562	2.000	.147	1.4375-18 UNEF	.938
32	2.0000-18 UNS	.625	1.031	2.943	4.643	3.184	2.261	.875	2.063	1.650	.700/.980	.510/.790	1.750	2.250	.173	1.7500-18 UNS	1.250
36	2.2500-16 UN	.625	1.031	2.943	4.643	3.245	2.219	.875	2.283	1.650	.700/.980	.510/.790	1.938	2.500	.173	2.0000-18 UNS	1.375
40	2.5000-16 UN	.625	1.031	3.068	5.635	3.670	2.188	.875	2.688	1.650	.700/.980	.510/.790	2.188	2.750	.173	2.2500-16 UN	1.625

SEE SHEET 19.

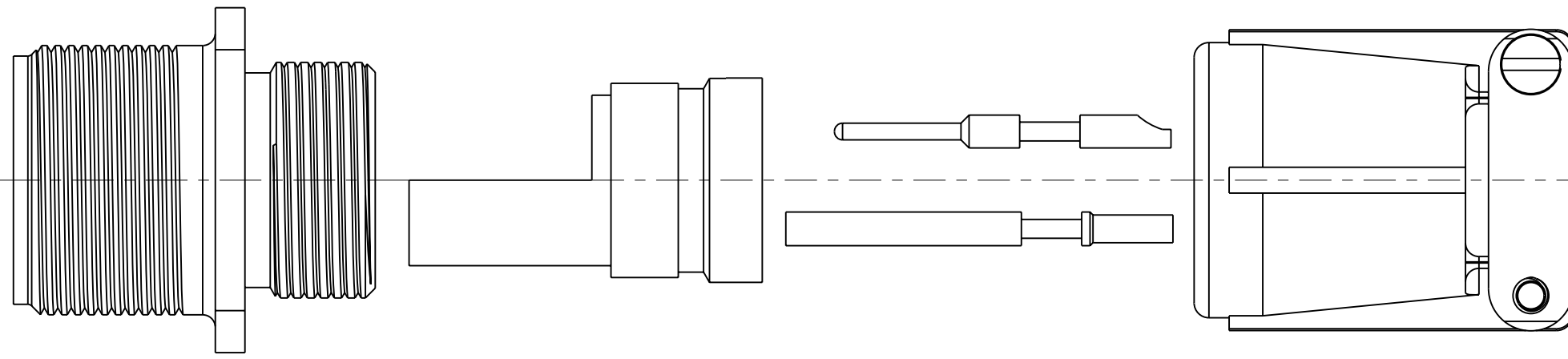
NOTES:

THE USE OF THIS DOCUMENT IS UNLIMITED.
HOWEVER, DOCUMENTS REFERENCED HEREON
MAY CONTAIN LIMITED RIGHTS DATA.

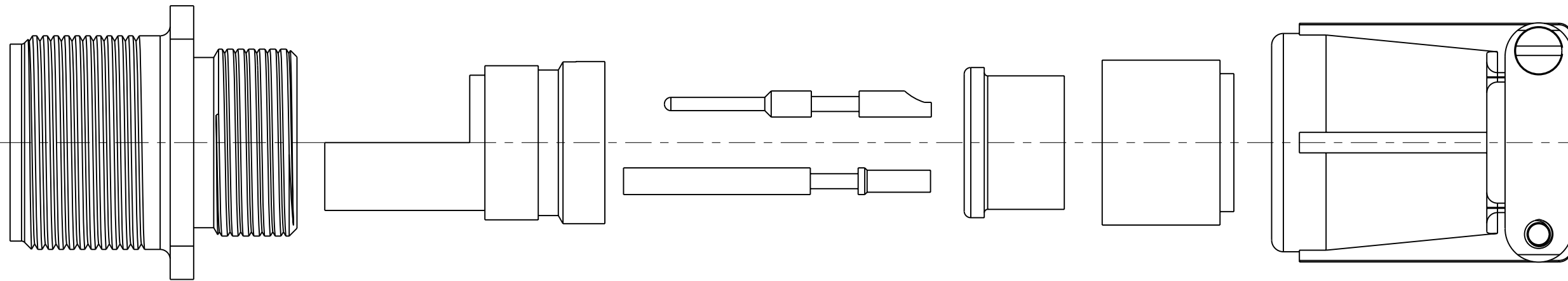
SIZE C	FSCM NO. 77820	DOCUMENT NO. AC SERIES	REV. G
SCALE: NONE	REF: N/A	SHEET 3 OF 20	

3 OF 19
AC SERIES

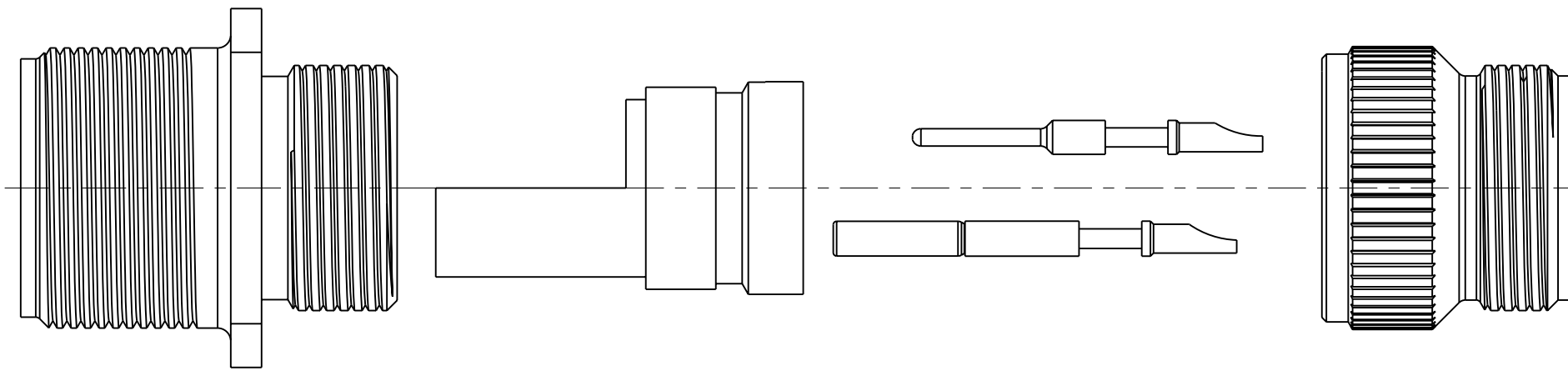
A



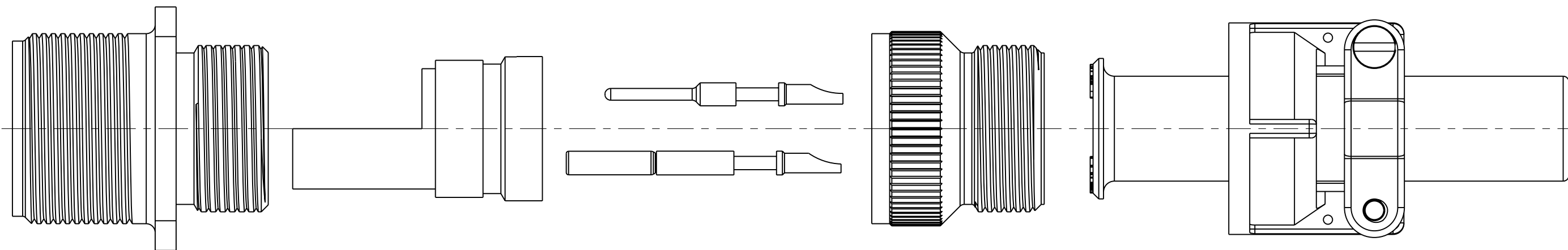
E



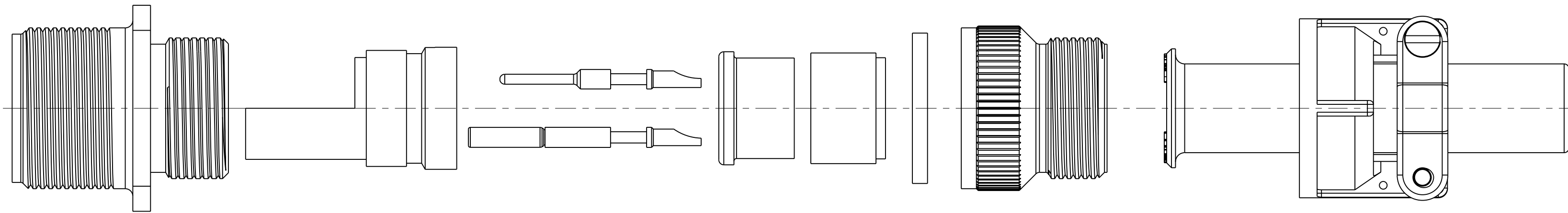
AD



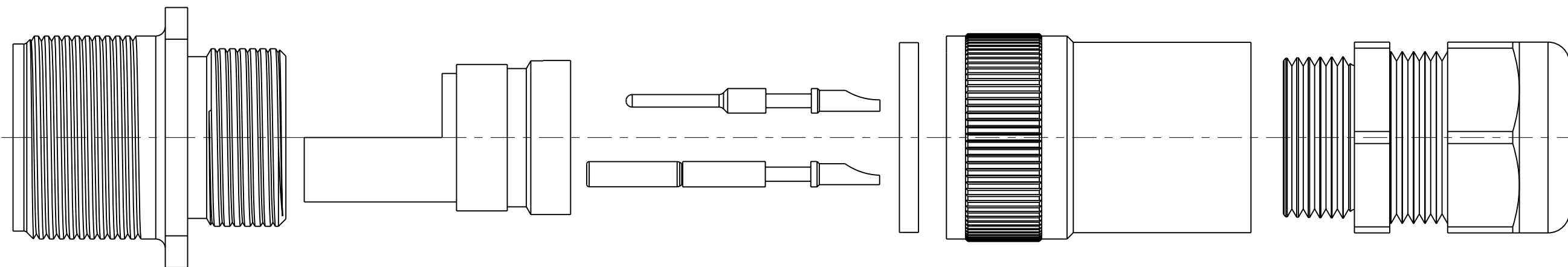
AF



F



PG



SEE SHEET 19.

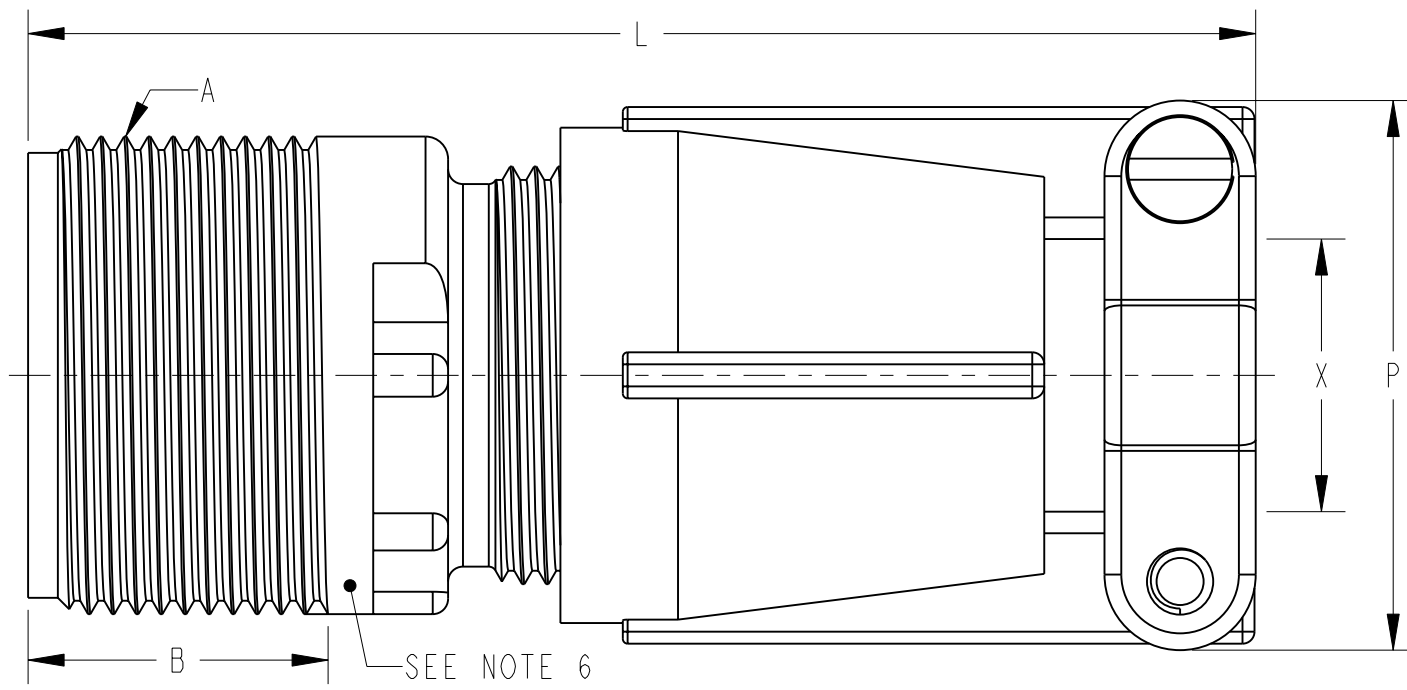
NOTES:

THE USE OF THIS DOCUMENT IS UNLIMITED.
 HOWEVER, DOCUMENTS REFERENCED HEREON
 MAY CONTAIN LIMITED RIGHTS DATA.

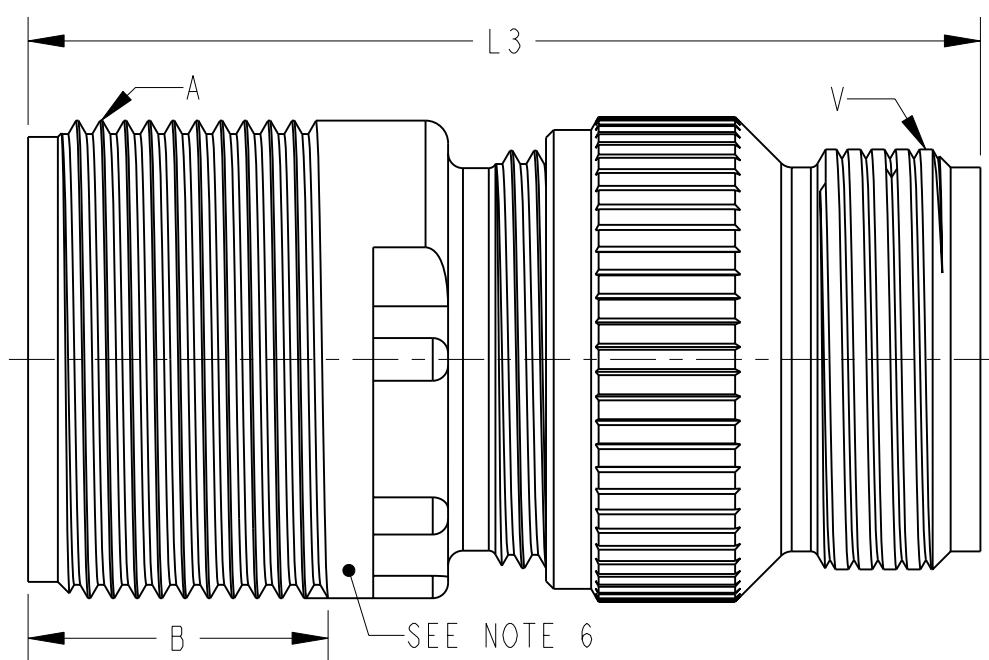
AC()00()

SIZE C	FSCM NO. 77820	DOCUMENT NO. AC SERIES	REV. G
SCALE: 1:3	REF: N/A	SHEET 4 of 20	

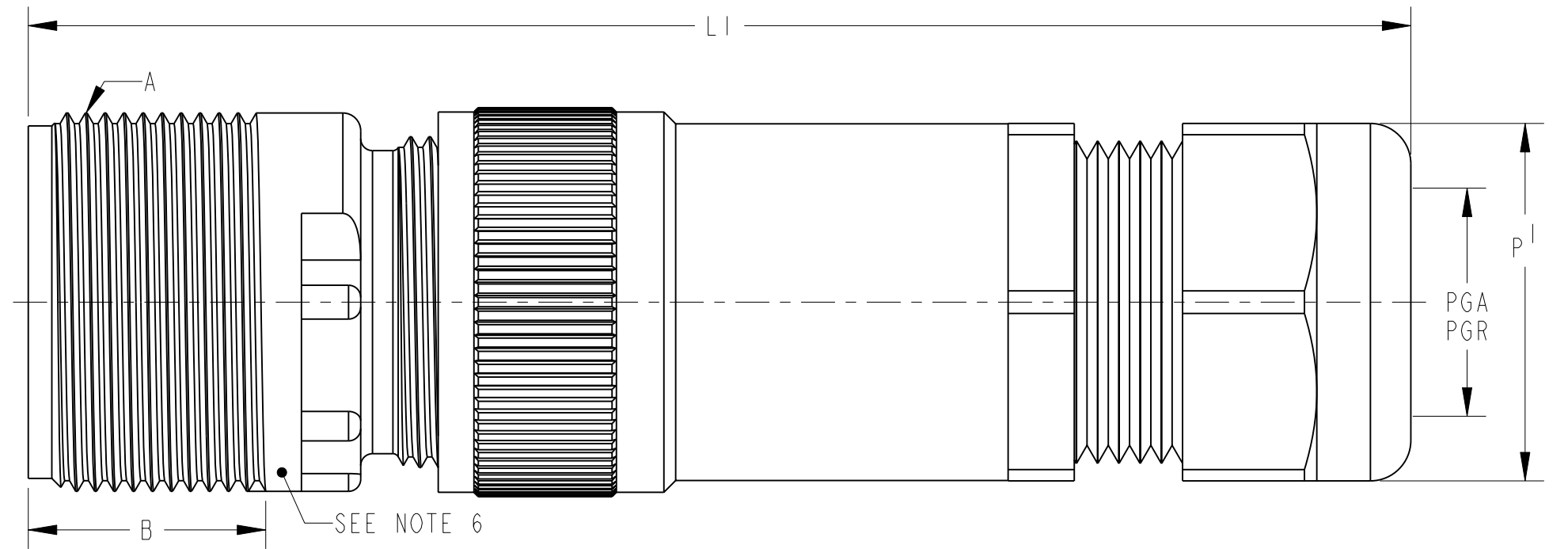
AC()01()



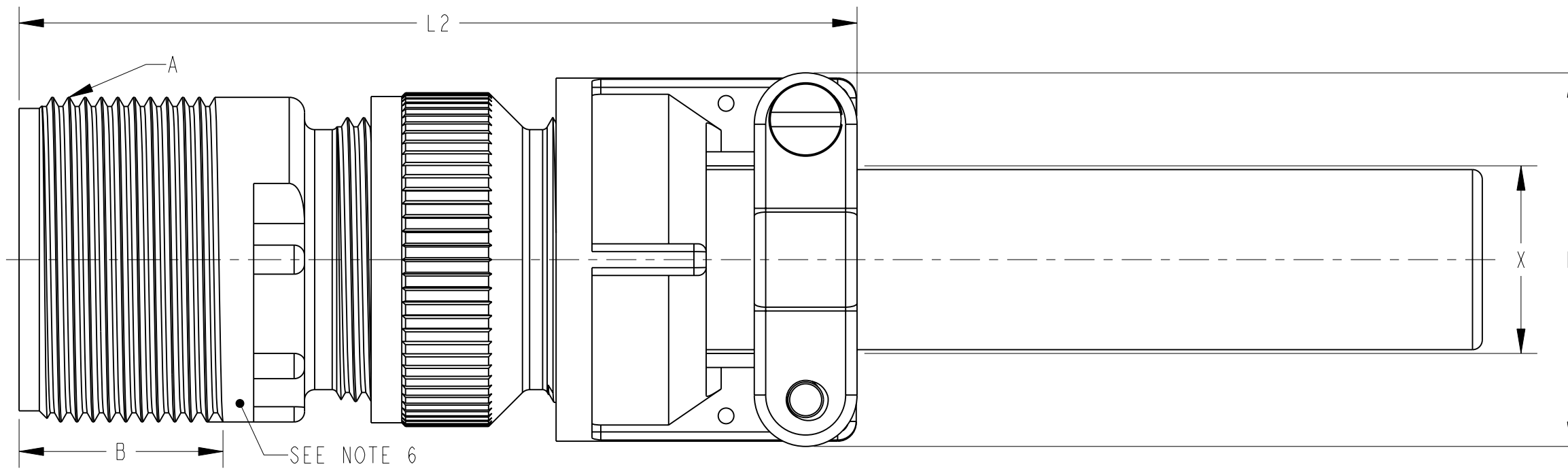
AC()01A()
AC()01E()



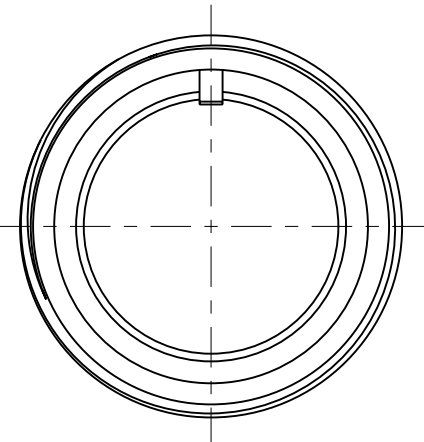
AC()01AD()



AC()01PG()



AC()01AF()
AC()01F()



SEE SHEET 19.

NOTES:

THE USE OF THIS DOCUMENT IS UNLIMITED.
HOWEVER, DOCUMENTS REFERENCED HEREON
MAY CONTAIN LIMITED RIGHTS DATA.

SIZE C	FSCM NO. 77820	DOCUMENT NO. AC SERIES	REV. G
SCALE: NONE	REF: N/A	SHEET 5 OF 20	

AC()01()

SHELL SIZE	A THREAD CLASS 2A	B MIN. FULL THREAD	L REF	L ¹ REF	L ² REF	L ³ REF	P MAX	P ¹ HEX FLATS REF	PGA REF	PGR REF	V THREAD PLATED CLASS 2 A	X MAX O.D. CABLE
10SL	.6250-24 UNEF	.406	2.129	3.010	2.189	1.468	.894	.750	.150/.320	.070/.240	.6250-24 UNEF	.312
12S	.7500-20 UNEF	.422	2.129	3.010	2.261	1.468	.894	.750	.150/.320	.070/.240	.6250-24 UNEF	.312
12	.7500-20 UNEF	.656	2.524	3.500	2.644	1.468	.894	.750	.150/.320	.070/.240	.6250-24 UNEF	.312
14S	.8750-20 UNEF	.391	2.201	3.188	2.261	1.468	1.083	.880	.190/.390	.110/.280	.7500-20 UNEF	.438
14	.8750-20 UNEF	.625	2.524	3.641	2.644	1.468	1.083	.880	.190/.390	.110/.280	.7500-20 UNEF	.438
16S	1.0000-20 UNEF	.391	2.201	3.265	2.266	1.468	1.181	.940	.230/.470	.190/.350	.8750-20 UNEF	.531
16	1.0000-20 UNEF	.625	2.524	3.718	2.644	1.468	1.181	.940	.230/.470	.190/.350	.8750-20 UNEF	.531
18	1.1250-18 UNEF	.625	2.596	3.718	2.716	1.938	1.300	.940	.230/.470	.190/.350	1.0000-20 UNEF	.625
20	1.2500-18 UNEF	.625	2.654	3.798	2.774	1.844	1.487	1.060	.390/.560	.270/.470	1.1875-18 UNEF	.750
22	1.3750-18 UNEF	.625	2.654	4.080	2.916	1.938	1.487	1.060	.390/.560	.270/.470	1.1875-18 UNEF	.750
24	1.5000-18 UNEF	.625	2.885	4.142	3.051	1.970	1.712	1.060	.390/.560	.270/.470	1.4375-18 UNEF	.938
28	1.7500-18 UNS	.625	2.885	4.291	3.140	2.189	1.712	1.300	.510/.710	.350/.630	1.4375-18 UNEF	.938
32	2.0000-18 UNS	.625	2.943	4.643	3.184	2.261	2.063	1.650	.700/.980	.510/.790	1.7500-18 UNS	1.250
36	2.2500-16 UN	.625	2.943	4.643	3.245	2.219	2.283	1.650	.700/.980	.510/.790	2.0000-18 UNS	1.375
40	2.5000-16 UN	.625	3.068	5.635	3.670	2.188	2.688	1.650	.700/.980	.510/.790	2.2500-16 UN	1.625

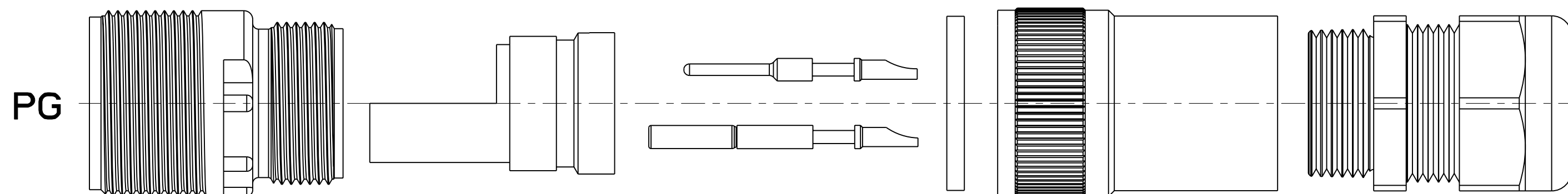
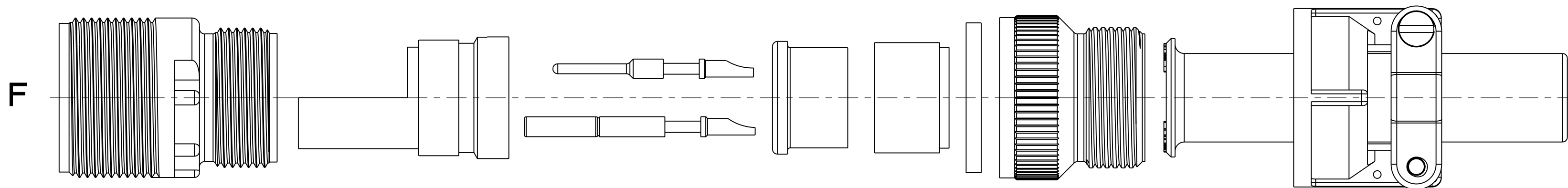
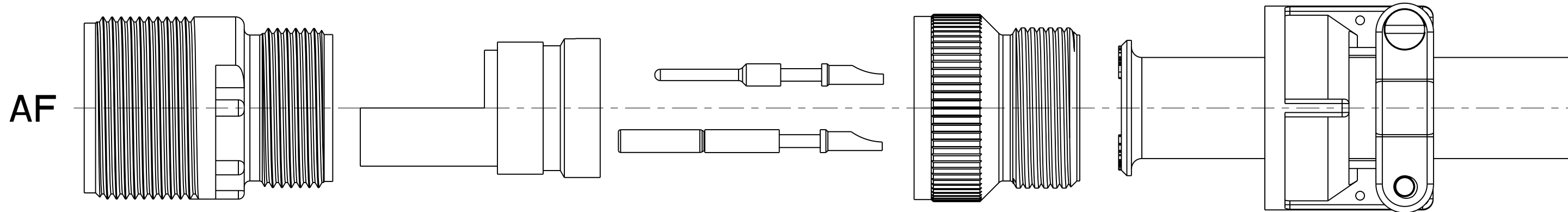
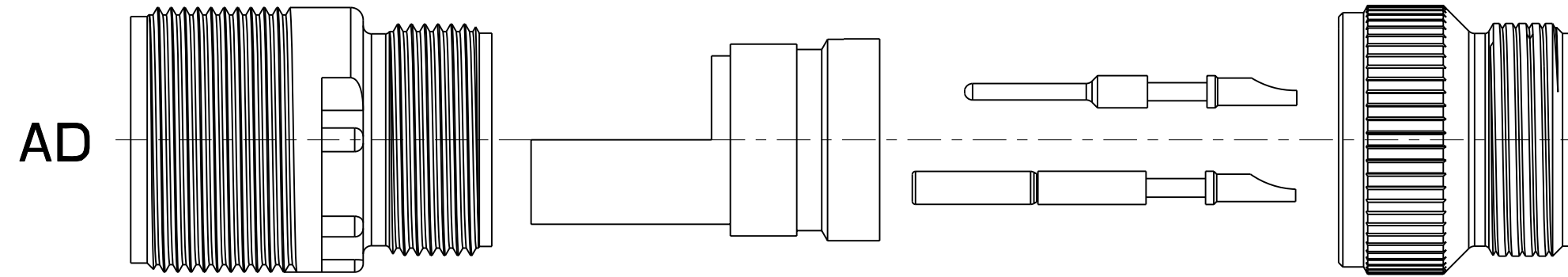
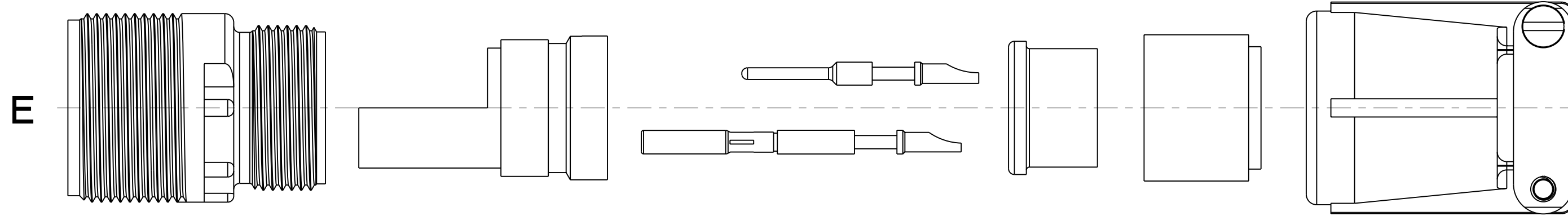
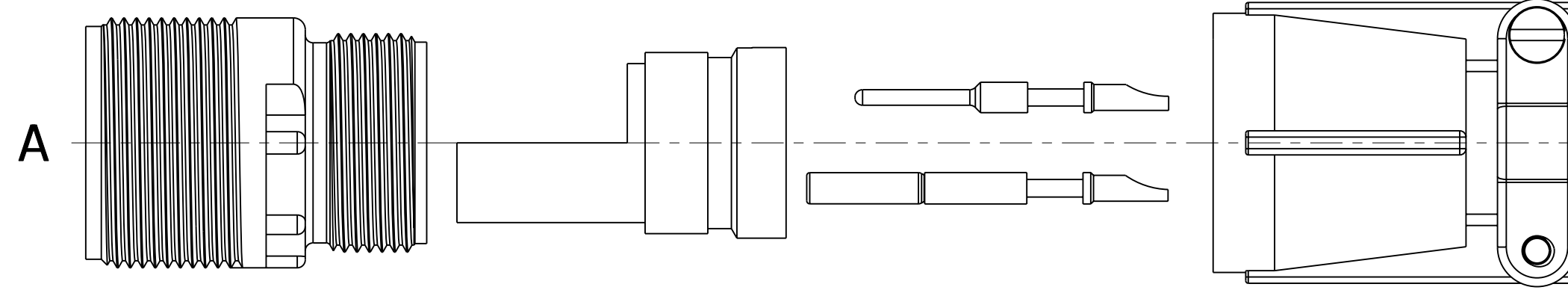
SEE SHEET 19.

NOTES:

THE USE OF THIS DOCUMENT IS UNLIMITED.
HOWEVER, DOCUMENTS REFERENCED HEREON
MAY CONTAIN LIMITED RIGHTS DATA.

SIZE C	FSCM NO. 77820	DOCUMENT NO. AC SERIES	REV. G
SCALE: NONE	REF: N/A	SHEET 6 OF 20	

AC()01()



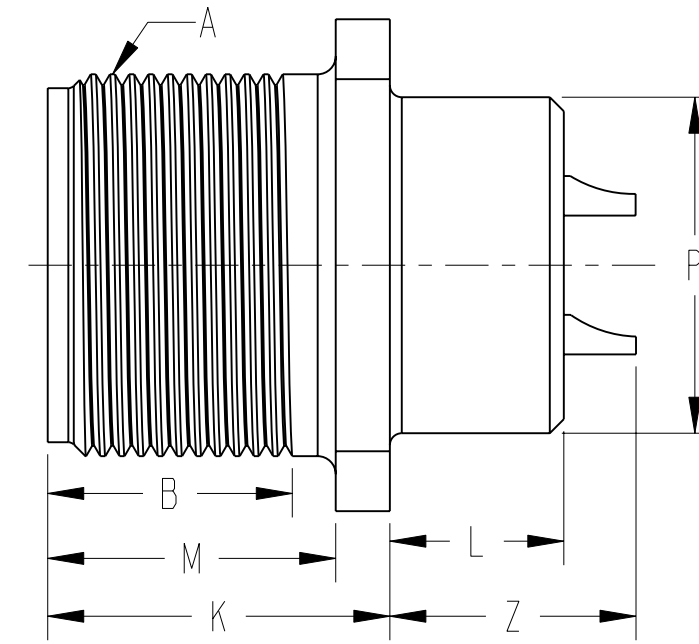
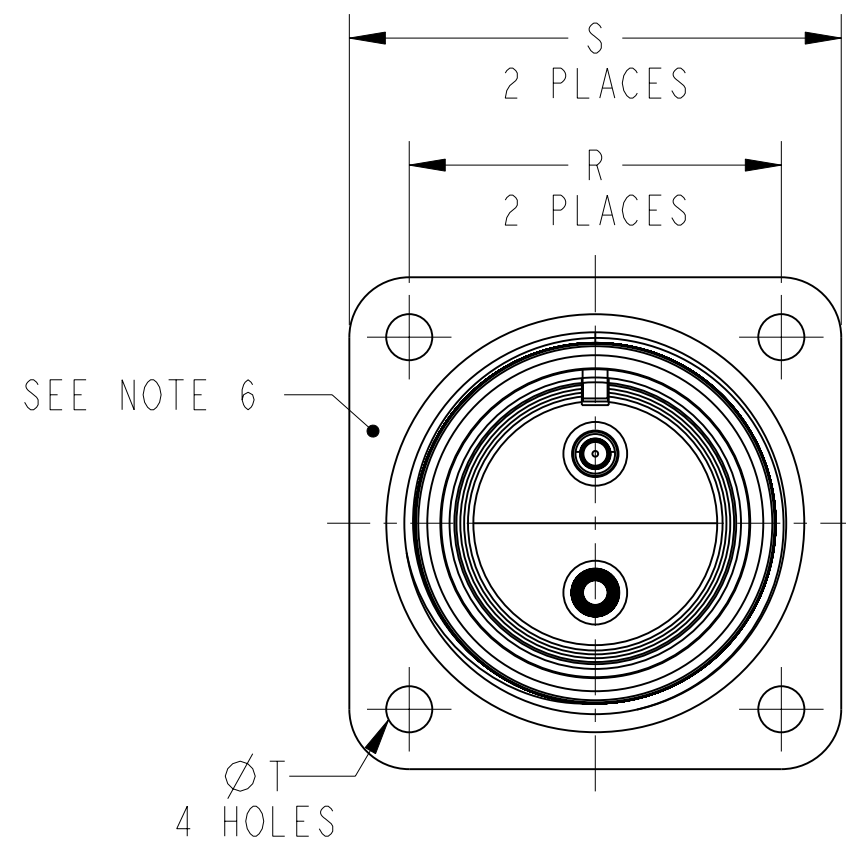
SEE SHEET 19.

NOTES:

THE USE OF THIS DOCUMENT IS UNLIMITED.
HOWEVER, DOCUMENTS REFERENCED HEREON
MAY CONTAIN LIMITED RIGHTS DATA.

SIZE C	FSCM NO. 77820	DOCUMENT NO. AC SERIES	REV. G
SCALE: 1:3	REF: N/A	SHEET 7 OF 20	

AC()02()



AC()02A()
AC()02E()

SHELL SIZE	A THREAD CLASS 2A	B MIN. FULL THREAD	K +.020 -.010	L +.000 -.010	M +.010 -.000	P DIA +.010 -.000	R ±.005	S ±.010	T DIA +.004 -.002	Z MAX**
10SL	.6250-24 UNEF	.391	.672	.297	.562	.625	.719	1.000	.120	.519
12S	.7500-20 UNEF	.450	.672	.297	.562	.625	.812	1.094	.120	.519
12	.7500-20 UNEF	.625	.860	.484	.750	.625	.812	1.094	.120	.722
14S	.8750-20 UNEF	.450	.672	.297	.562	.750	.906	1.188	.120	.519
14	.8750-20 UNEF	.625	.860	.484	.750	.750	.906	1.188	.120	.722
16S	1.0000-20 UNEF	.450	.672	.297	.562	.875	.969	1.281	.120	.519
16	1.0000-20 UNEF	.625	.860	.484	.750	.875	.969	1.281	.120	.722
18	1.1250-18 UNEF	.625	.891	.453	.750	1.000	1.063	1.375	.120	.691
20	1.2500-18 UNEF	.625	.891	.453	.750	1.125	1.156	1.500	.120	.691
22	1.3750-18 UNEF	.625	.891	.453	.750	1.250	1.250	1.625	.120	.691
24	1.5000-18 UNEF	.625	.953	.453	.812	1.375	1.375	1.750	.147	.628
28	1.7500-18 UNS	.625	.953	.453	.812	1.625	1.562	2.000	.147	.628
32	2.0000-18 UNS	.625	1.031	.438	.875	1.875	1.750	2.250	.173	.550
36	2.2500-16 UN	.625	1.031	.438	.875	2.062	1.938	2.500	.173	.550
40	2.5000-16 UN	.625	1.031	.438	.875	2.312	2.188	2.750	.173	.550

** INCREASE Z DIMENSION BY .312 FOR SIZE "0" CONTACT ONLY.

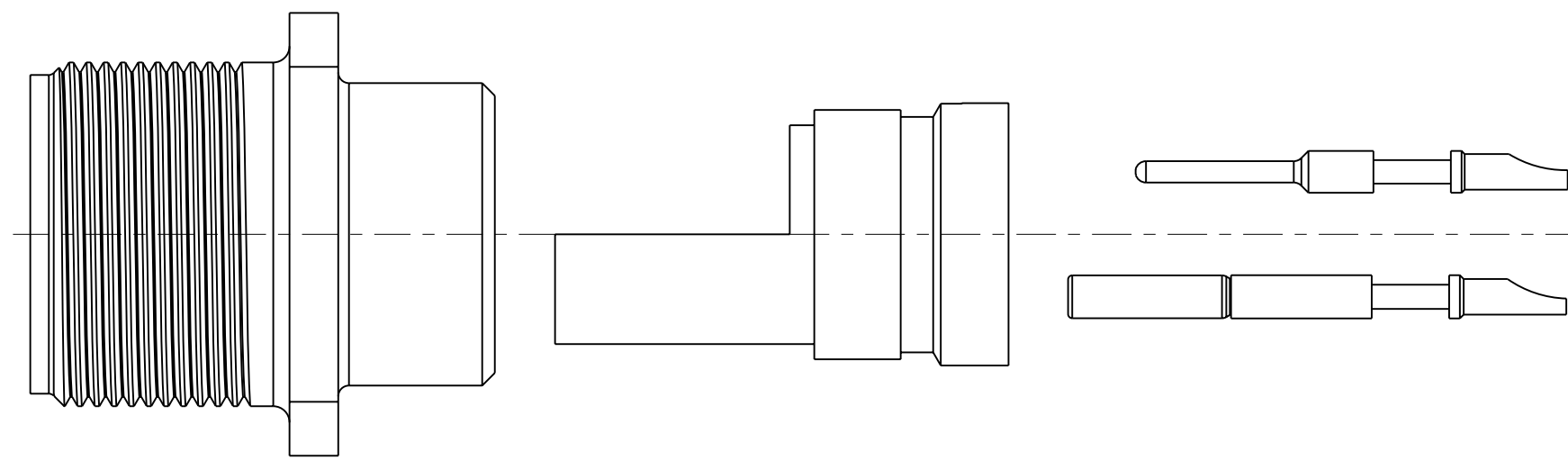
SEE SHEET 19.

NOTES:

THE USE OF THIS DOCUMENT IS UNLIMITED.
HOWEVER, DOCUMENTS REFERENCED HEREON
MAY CONTAIN LIMITED RIGHTS DATA.

SIZE C	FSCM NO. 77820	DOCUMENT NO. AC SERIES	REV. G
SCALE: NONE	REF: N/A	SHEET 8 OF 20	

AC()02()



SEE SHEET 19.

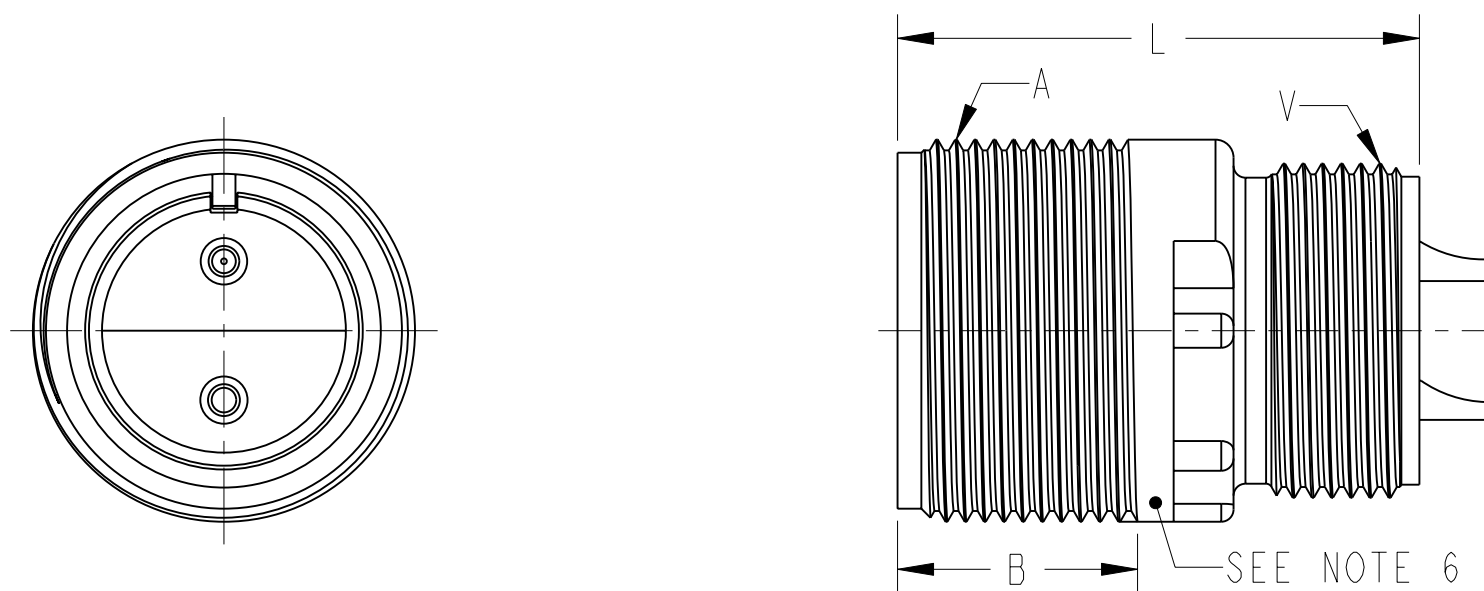
NOTES:

THE USE OF THIS DOCUMENT IS UNLIMITED.
 HOWEVER, DOCUMENTS REFERENCED HEREON
 MAY CONTAIN LIMITED RIGHTS DATA.

SIZE C	FSCM NO. 77820	DOCUMENT NO. AC SERIES	REV. G
SCALE: NONE	REF: N/A	SHEET 9 OF 20	

AC SERIES
 SHEET 9 OF 19

AC()04()



AC()04A()
 AC()04E()

SHELL SIZE	A THREAD CLASS 2A	B MIN. FULL THREAD	L REF	V THREAD CLASS 2A
10SL	.6250-24 UNEF	.406	.969	.6250-24 UNEF
12S	.7500-20 UNEF	.422	.969	.6250-24 UNEF
12	.7500-20 UNEF	.656	1.344	.6250-24 UNEF
14S	.8750-20 UNEF	.391	.969	.7500-20 UNEF
14	.8750-20 UNEF	.625	1.344	.7500-20 UNEF
16S	1.0000-20 UNEF	.391	.969	.8750-20 UNRF
16	1.0000-20 UNEF	.625	1.344	.8750-20 UNEF
18	1.1250-18 UNEF	.625	1.344	1.0000-20 UNEF
20	1.2500-18 UNEF	.625	1.344	1.1250-18 UNEF
22	1.3750-18 UNEF	.625	1.344	1.2500-18 UNEF
24	1.5000-18 UNEF	.625	1.406	1.3750-18 UNEF
28	1.7500-18 UNS	.625	1.406	1.6250-18 UNEF
32	2.0000-18 UNS	.625	1.469	1.8750-16 UN
36	2.2500-16 UN	.625	1.469	2.0625-16 UN
40	2.5000-16 UN	.625	1.469	2.3125-16 UN

SEE SHEET 19.

NOTES:

THE USE OF THIS DOCUMENT IS UNLIMITED.
 HOWEVER, DOCUMENTS REFERENCED HEREON
 MAY CONTAIN LIMITED RIGHTS DATA.

SIZE C	FSCM NO. 77820	DOCUMENT NO. AC SERIES	REV. G
SCALE: NONE	REF: N/A	SHEET 10 OF 20	

TAB

SH 10 OF 19

AC SERIES

DOC NO

A

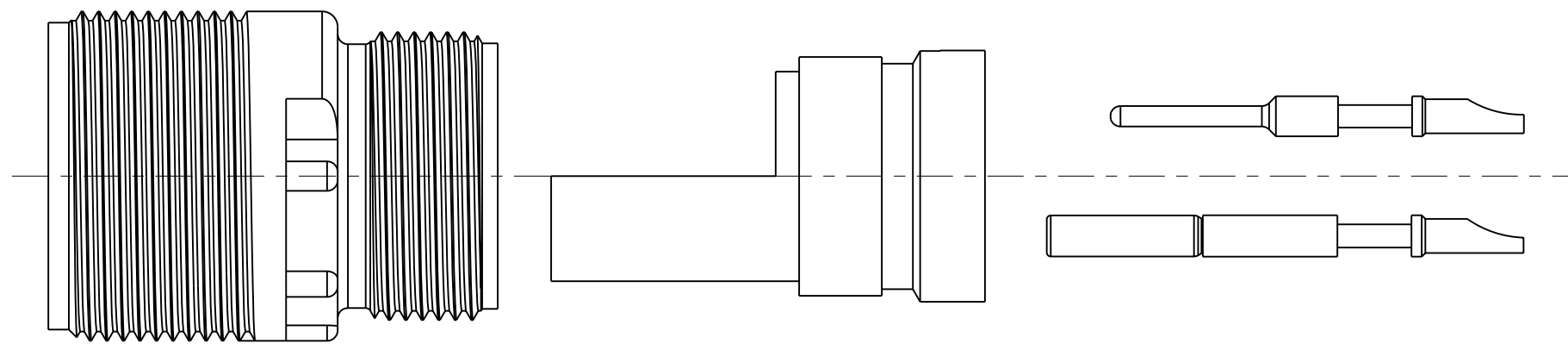
D

C

B

A

AC()04()



SEE SHEET 19.

NOTES:

THE USE OF THIS DOCUMENT IS UNLIMITED.
 HOWEVER, DOCUMENTS REFERENCED HEREON
 MAY CONTAIN LIMITED RIGHTS DATA.

SIZE C	FSCM NO. 77820	DOCUMENT NO. AC SERIES	REV. G
SCALE: NONE	REF: N/A	SHEET 11 OF 20	

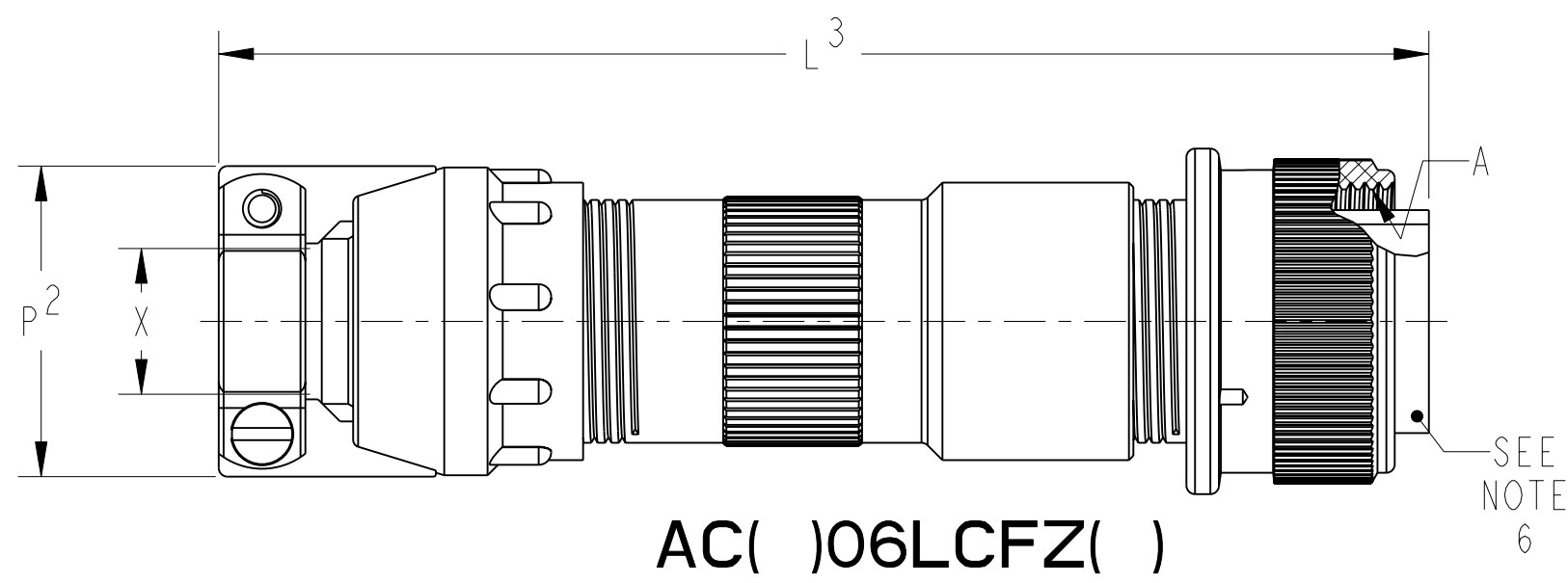
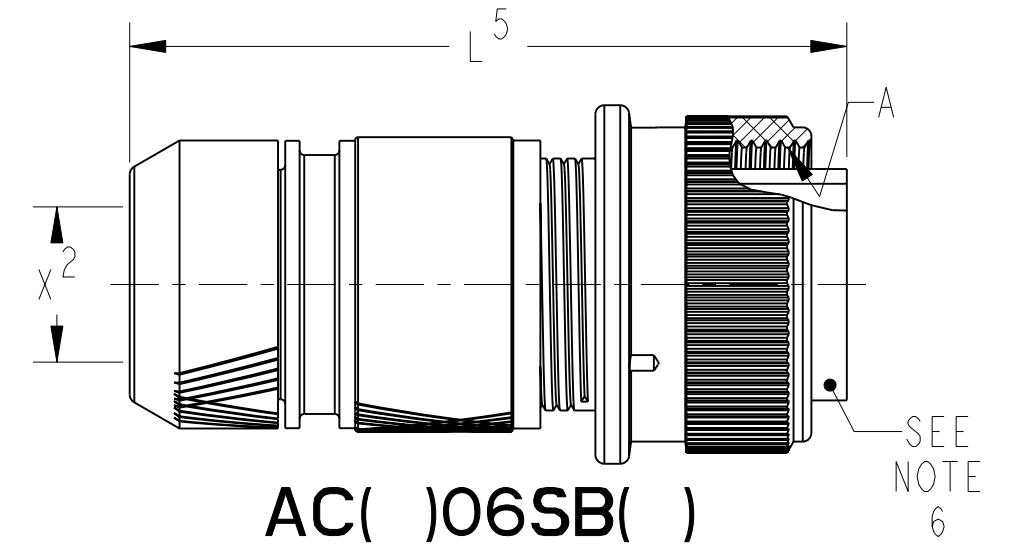
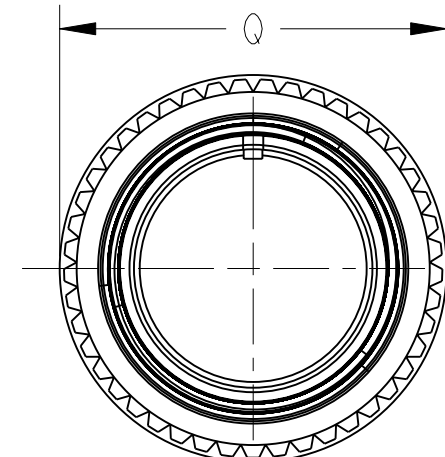
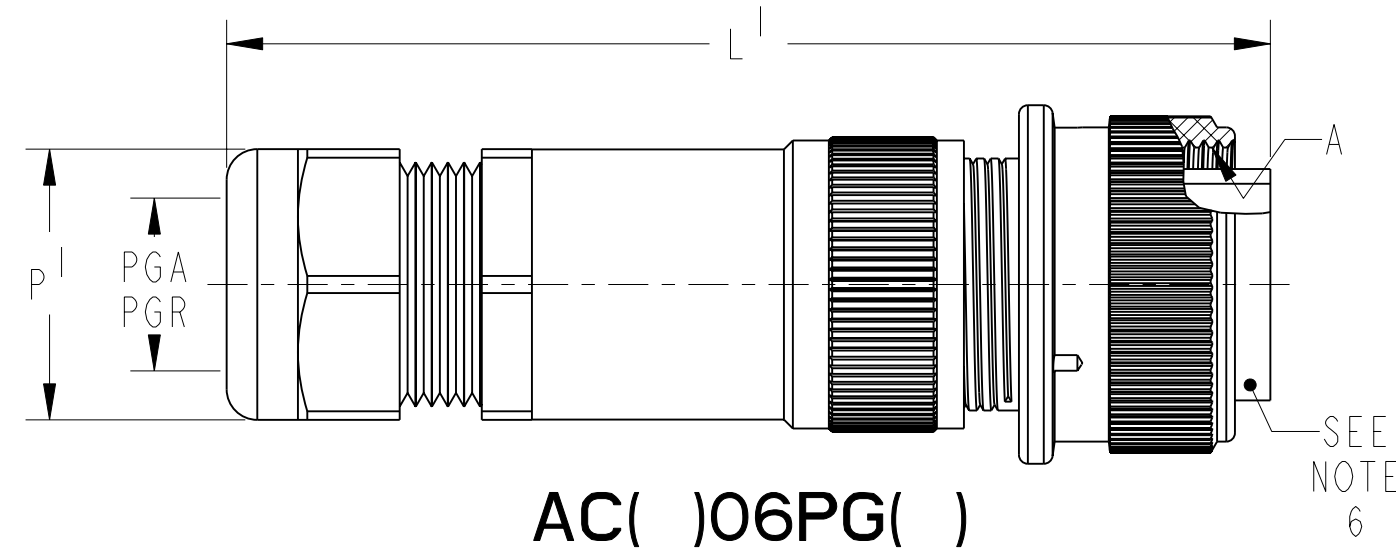
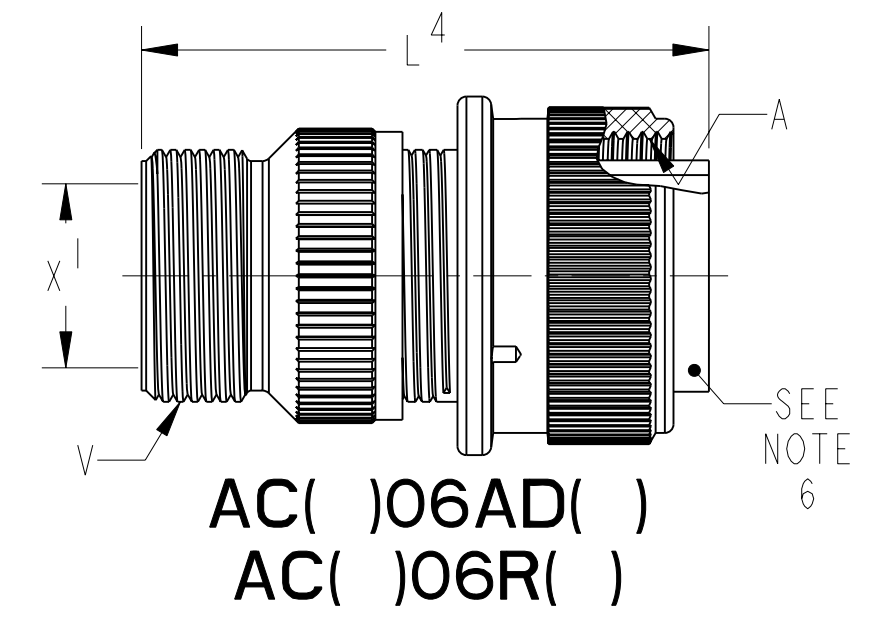
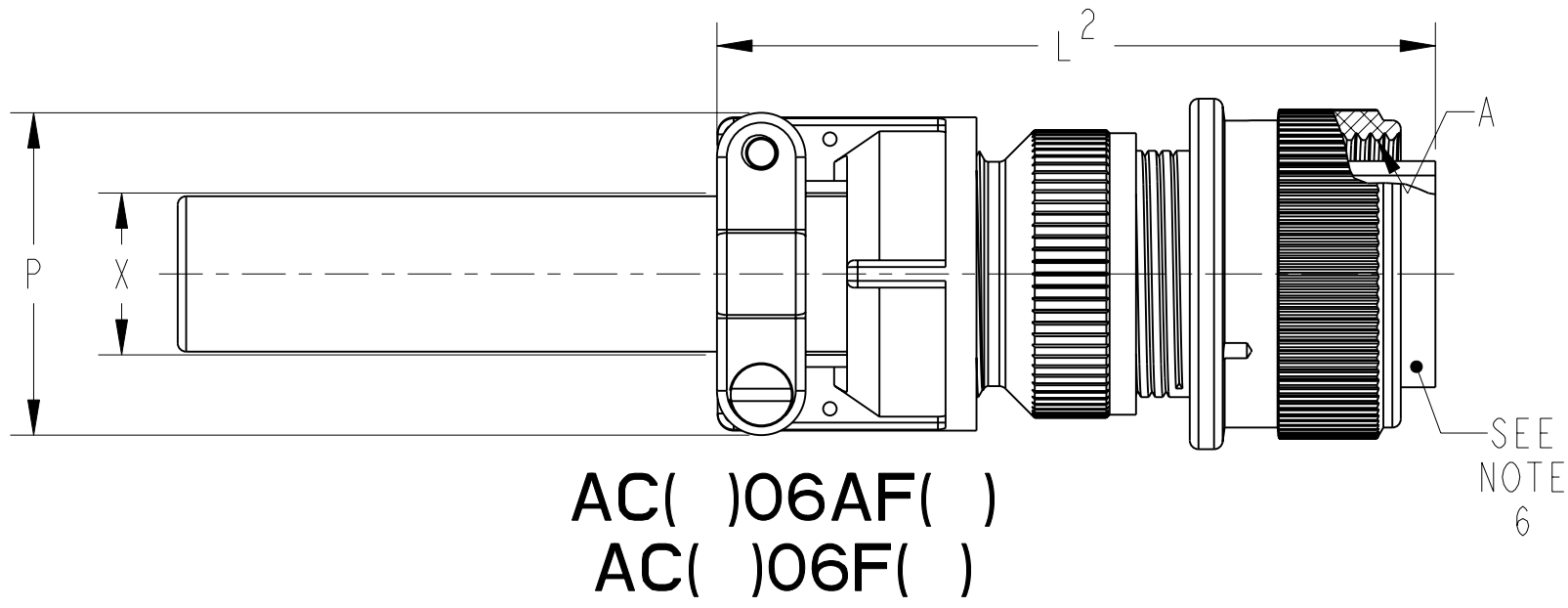
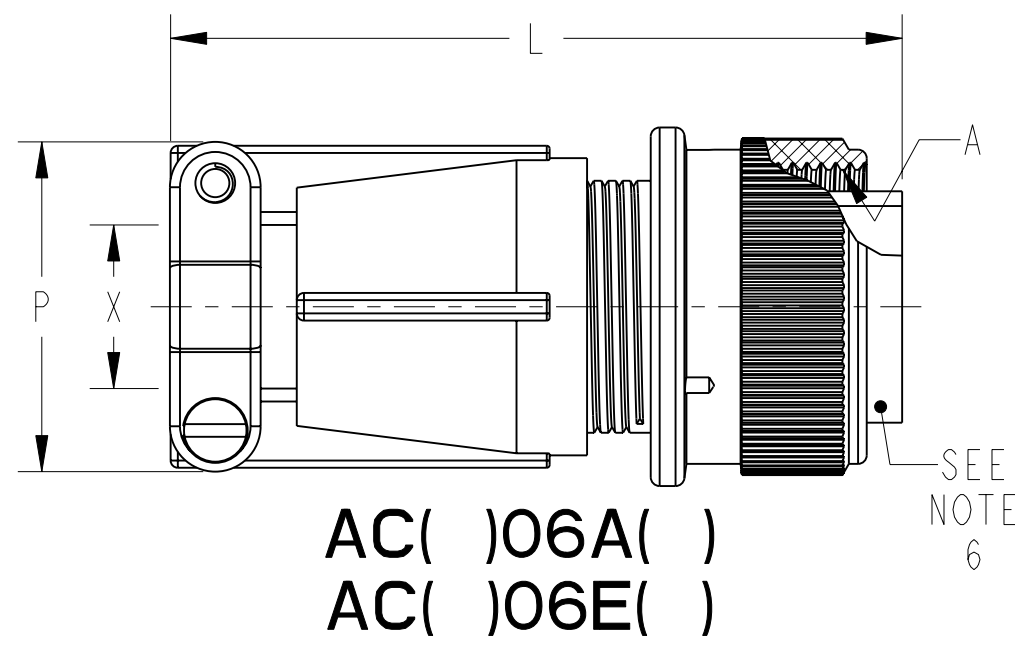
TAB

SH 11 OF 19

AC SERIES

DOC NO

AC()06()



SEE SHEET 19.

NOTES:

THE USE OF THIS DOCUMENT IS UNLIMITED.
HOWEVER, DOCUMENTS REFERENCED HEREON
MAY CONTAIN LIMITED RIGHTS DATA.

SIZE C	FSCM NO. 77820	DOCUMENT NO. AC SERIES	REV. G
SCALE: NONE	REF: N/A	SHEET 12 OF 20	

AC SERIES
SHEET 12 OF 19

TAB.

AC()06()

SHELL SIZE	A THREAD CLASS 2A	L MAX	L ¹ MAX	L ² MAX	L ³ REF	L ⁴ MAX	L ⁵ REF	P MAX	P ¹ HEX FLATS REF	P ² MAX	PGA REF	PGR REF	Q MAX	V THREAD CLASS 2A	X MAX O.D. CABLE	X ¹ DIA. MIN.	X ² DIA. MIN.
10SL	.6250-24 UNEF	2.129	3.010	2.189	3.811	1.969	2.034	.894	.750	.906	.150/.320	.070/.240	.946	.6250-24 UNEF	.312	.409	.303
12S	.7500-20 UNEF	2.129	3.010	2.261	NA	NA	NA	.894	.750	.906	.150/.320	.070/.240	.995	NOT AVAILABLE	.312	NA	NA
12	.7500-20 UNEF	2.524	3.500	2.644	NA	NA	NA	.894	.750	.906	.150/.320	.070/.240	.995	NOT AVAILABLE	.312	NA	NA
14S	.8750-20 UNEF	2.201	3.188	2.261	3.842	1.969	2.049	1.083	.880	1.031	.190/.390	.110/.280	1.123	.7500-20 UNEF	.438	.520	.417
14	.8750-20 UNEF	2.524	3.641	2.644	NA	NA	NA	1.083	.880	1.031	.190/.390	.110/.280	1.123	NOT AVAILABLE	.438	NA	NA
16S	1.0000-20 UNEF	2.201	3.265	2.266	3.842	1.969	2.049	1.181	.940	1.125	.230/.470	.190/.350	1.250	.8750-20 UNEF	.531	.638	.531
16	1.0000-20 UNEF	2.524	3.718	2.644	4.216	2.362	2.505	1.181	.940	1.125	.230/.470	.190/.350	1.250	.8750-20 UNEF	.531	.638	.531
18	1.1250-18 UNEF	2.596	3.718	2.716	4.409	2.362	2.552	1.300	.940	1.234	.230/.470	.190/.350	1.333	1.0000-20 UNEF	.625	.756	.637
20	1.2500-18 UNEF	2.654	3.798	2.774	4.409	2.362	2.552	1.487	1.060	1.484	.390/.560	.270/.470	1.461	1.1875-18 UNEF	.750	.866	.736
22	1.3750-18 UNEF	2.654	4.080	2.916	4.413	2.362	2.418	1.487	1.060	1.484	.390/.560	.270/.470	1.588	1.1875-18 UNEF	.750	.965	.819
24	1.5000-18 UNEF	2.885	4.142	3.051	4.535	2.559	2.632	1.712	1.060	1.671	.390/.560	.270/.470	1.715	1.4375-18 UNEF	.938	1.094	.981
28	1.7500-18 UNS	2.885	4.291	3.140	4.756	2.559	2.566	1.712	1.300	1.671	.510/.710	.350/.630	1.968	1.4375-18 UNEF	.938	1.228	1.067
32	2.0000-18 UNS	2.943	4.643	3.184	5.079	2.559	2.628	2.063	1.650	2.188	.700/.980	.510/.790	2.209	1.7500-18 UNS	1.250	1.488	1.311
36	2.2500-16 UN	2.943	4.643	3.245	5.327	3.150	2.676	2.283	1.650	2.344	.700/.980	.510/.790	2.463	2.0000-18 UNS	1.375	1.780	1.631
40	2.5000-16 UN	3.068	5.635	3.670	5.327	3.150	2.628	2.688	1.650	2.594	.700/.980	.510/.790	2.718	2.2500-16 UN	1.625	2.016	1.882

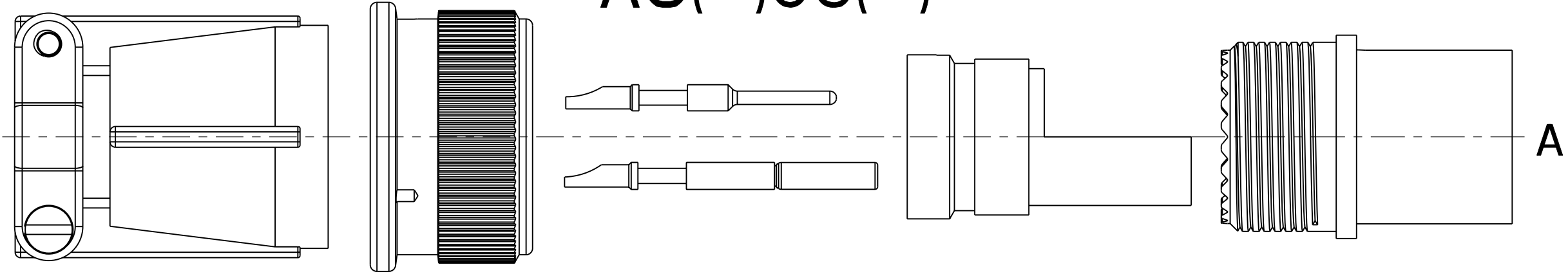
SEE SHEET 19.

NOTES:

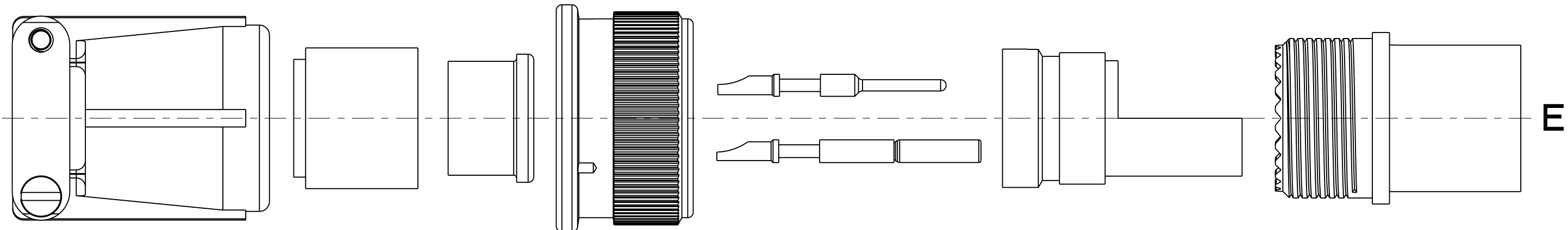
THE USE OF THIS DOCUMENT IS UNLIMITED. HOWEVER, DOCUMENTS REFERENCED HEREON MAY CONTAIN LIMITED RIGHTS DATA.
--

SIZE C	FSCM NO. 77820	DOCUMENT NO. AC SERIES	REV. G
SCALE: NONE	REF: N/A	SHEET 13 OF 20	

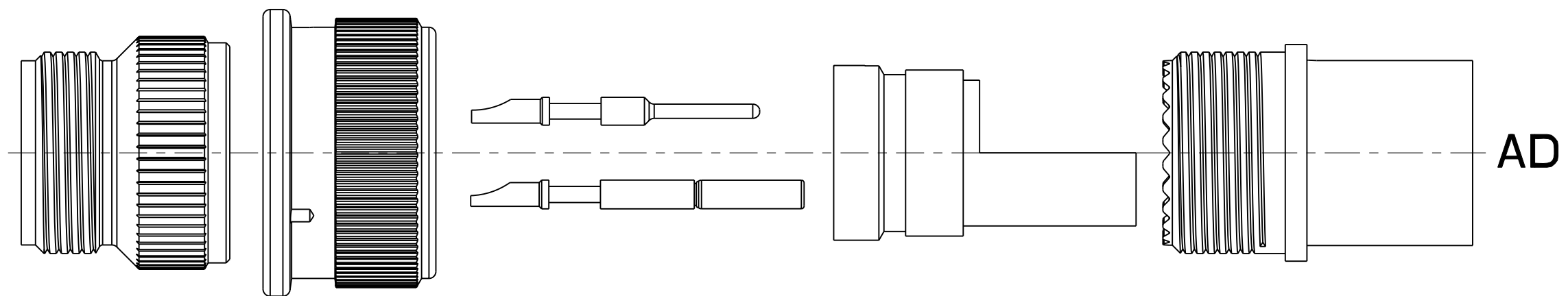
AC()06()



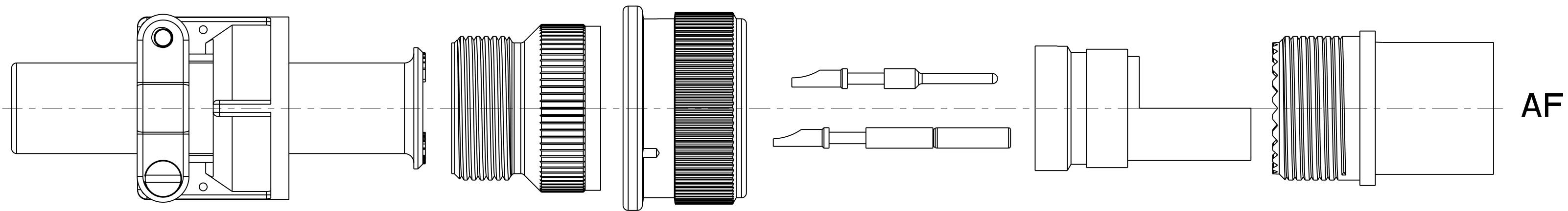
A



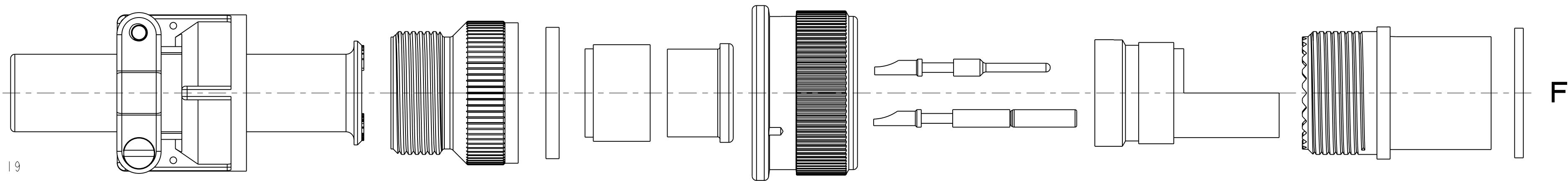
E



AD



AF



T

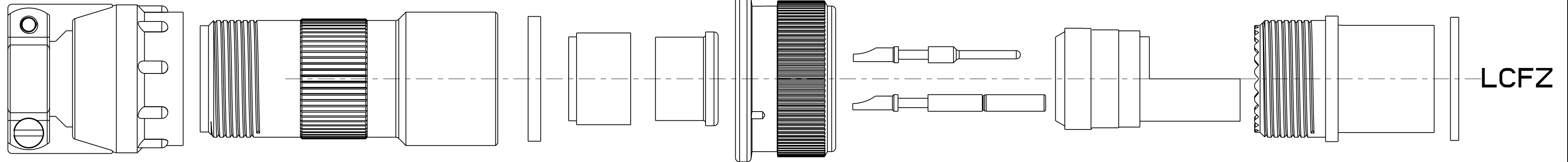
SEE SHEET 19

NOTES:

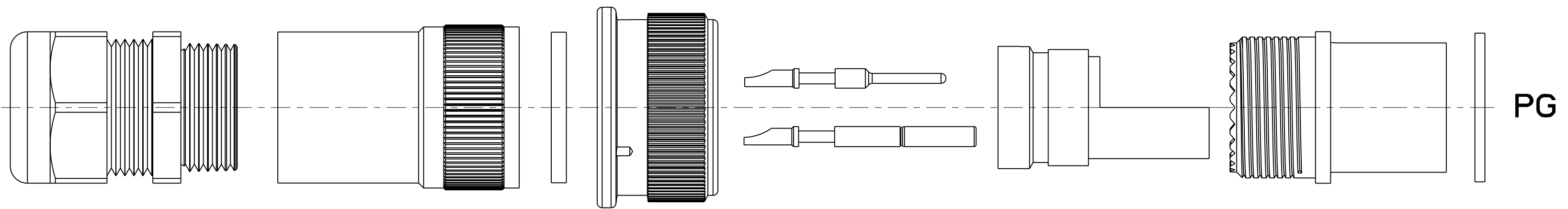
THE USE OF THIS DOCUMENT IS UNLIMITED.
HOWEVER, DOCUMENTS REFERENCED HEREON
MAY CONTAIN LIMITED RIGHTS DATA.

SIZE C	FSCM NO. 77820	DOCUMENT NO. AC SERIES	REV. G
SCALE: 1.0	REF: N/A	SHEET 14 OF 20	

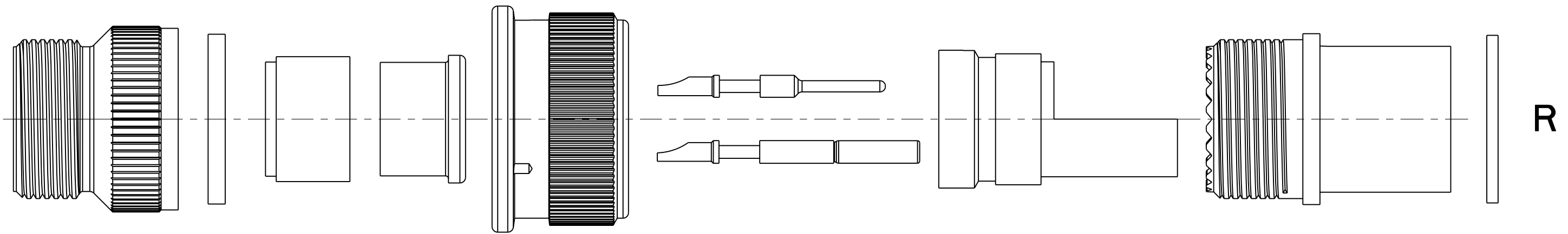
AC()06()



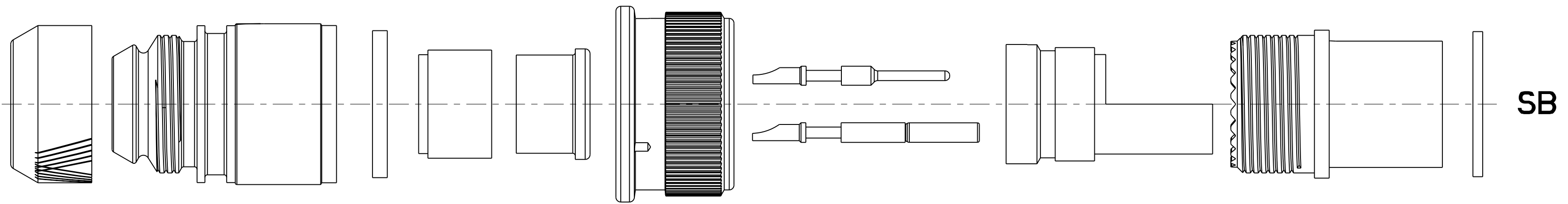
LCFZ



PG



R



SB

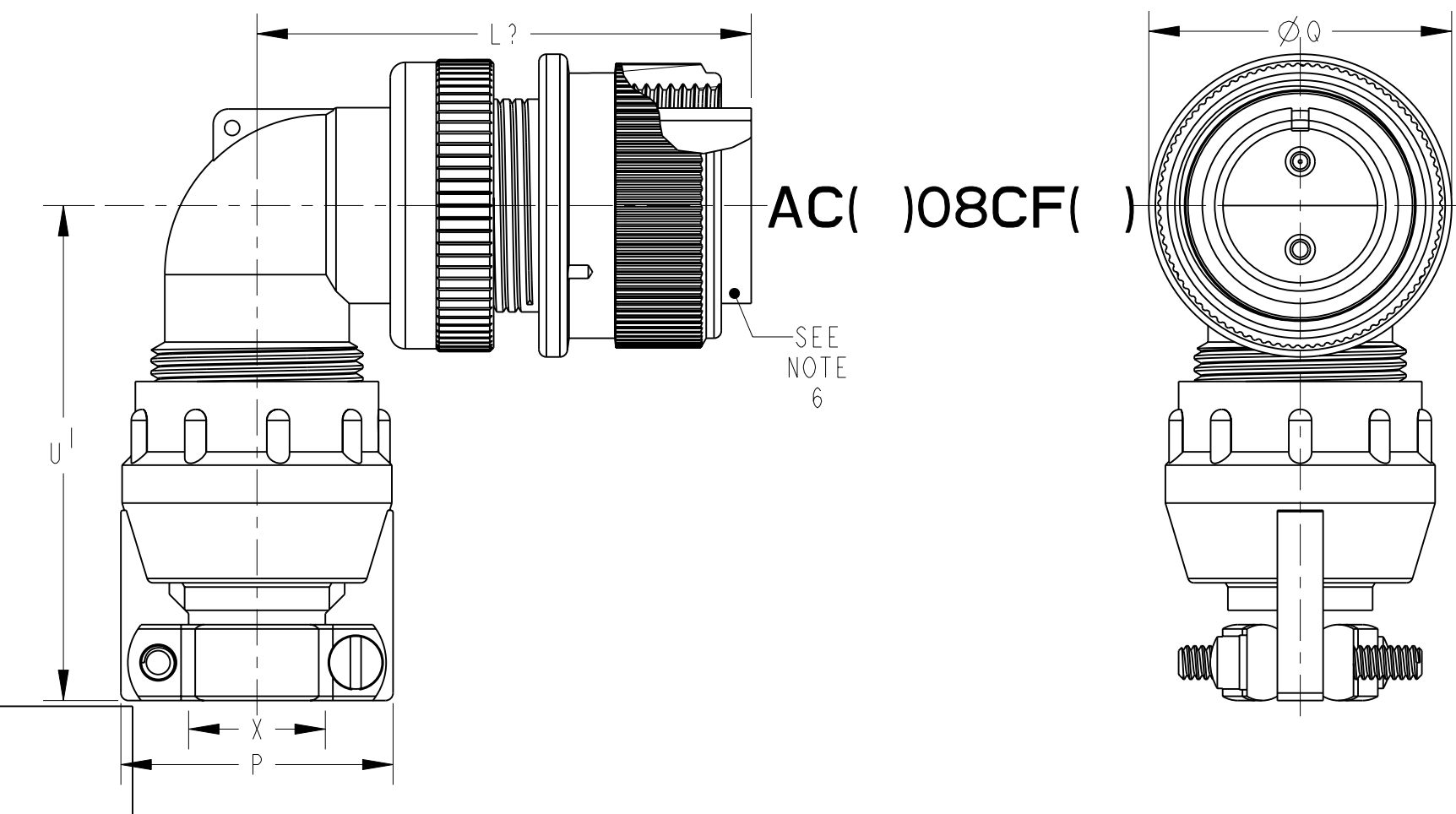
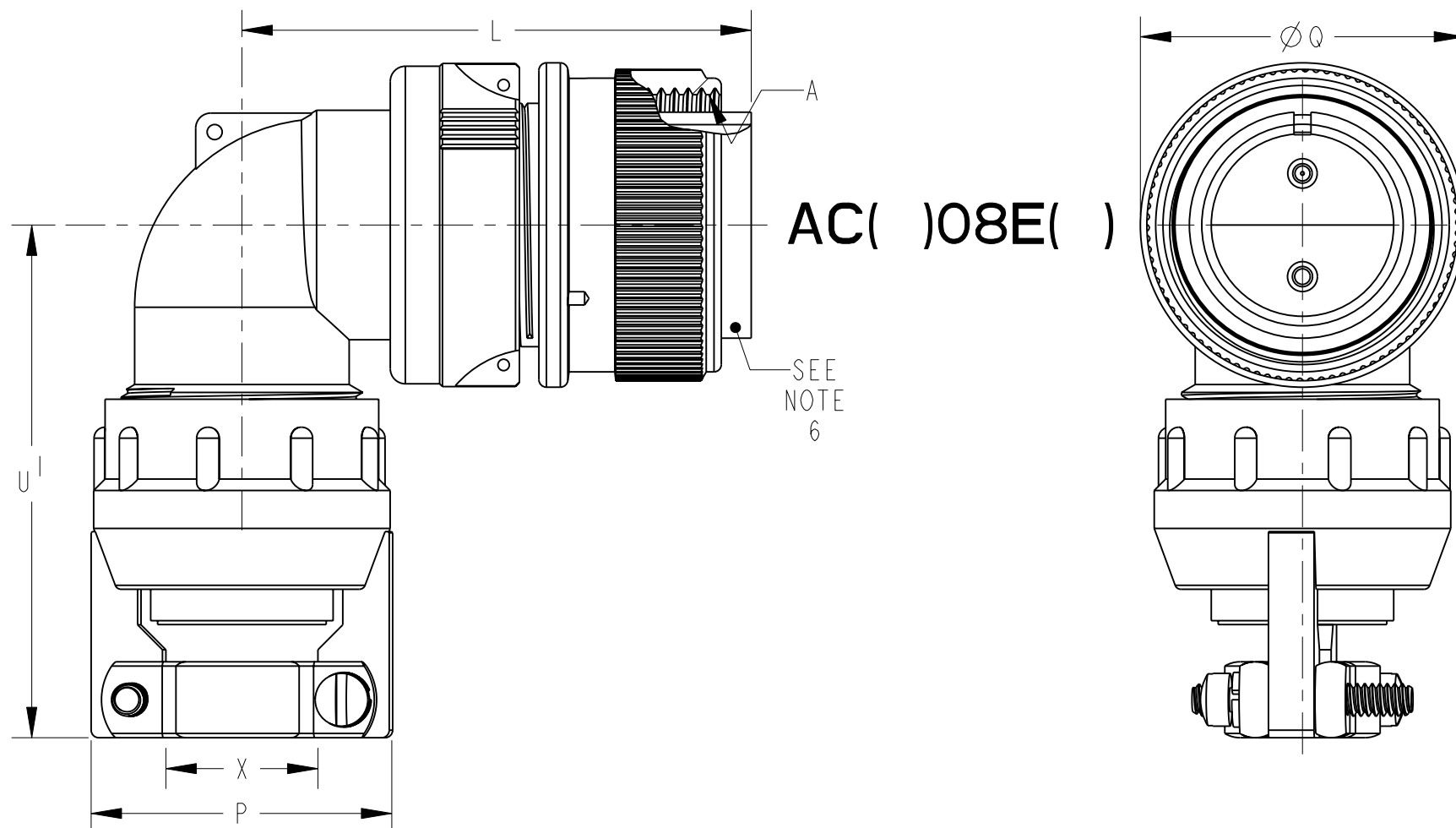
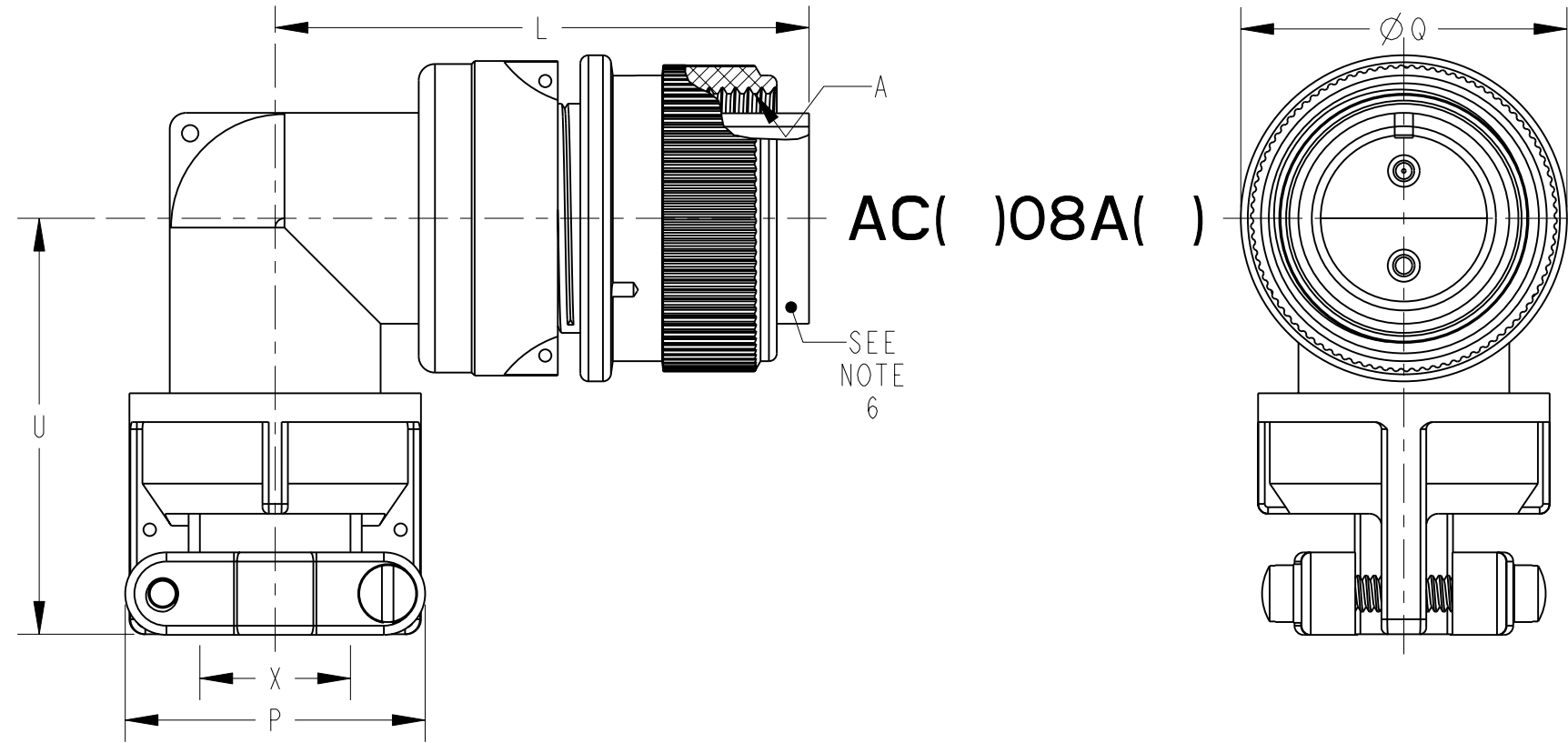
SEE SHEET 19.

NOTES:

THE USE OF THIS DOCUMENT IS UNLIMITED.
 HOWEVER, DOCUMENTS REFERENCED HEREON
 MAY CONTAIN LIMITED RIGHTS DATA.

SIZE C	FSCM NO. 77820	DOCUMENT NO. AC SERIES	REV. G
SCALE: 1.0	REF: N/A	SHEET 15 OF 20	

AC()08()



SEE SHEET 19

NOTES:

THE USE OF THIS DOCUMENT IS UNLIMITED.
 HOWEVER, DOCUMENTS REFERENCED HEREON
 MAY CONTAIN LIMITED RIGHTS DATA.

SIZE C	FSCM NO. 77820	DOCUMENT NO. AC SERIES	REV. G
SCALE: NONE	REF: N/A	SHEET 16 OF 20	

AC()08()

SHELL SIZE	A THREAD CLASS 2B	L MAX	L ^I MAX	P MAX	Q DIA MAX	U MAX	U ^I MAX	X MAX O.D. CABLE
10SL	.6250-24 UNEF	1.492	1.492	.906	.946	1.305	1.812	.312
12S	.7500-20 UNEF	1.492	1.492	.906	.995	1.305	1.812	.312
12	.7500-20 UNEF	1.867	1.867	.906	.995	1.305	1.812	.312
14S	.8750-20 UNEF	1.556	1.556	1.031	1.123	1.485	1.875	.438
14	.8750-20 UNEF	1.931	1.931	1.031	1.123	1.485	1.875	.438
16S	1.0000-20 UNEF	1.682	1.682	1.125	1.250	1.612	1.937	.531
16	1.0000-20 UNEF	2.057	2.057	1.125	1.250	1.612	1.937	.531
18	1.1250-18 UNEF	2.119	2.119	1.234	1.333	1.738	2.109	.625
20	1.2500-18 UNEF	2.369	2.322	1.484	1.461	1.800	2.187	.750
22	1.3750-18 UNEF	2.369	2.322	1.484	1.588	1.862	2.250	.750
24	1.5000-18 UNEF	2.620	2.510	1.683	1.715	2.100	2.484	.938
28	1.7500-18 UNS	2.620	2.510	1.683	1.968	2.162	2.546	.938
32	2.0000-18 UNS	2.842	2.744	2.188	2.209	2.405	3.045	1.250
36	2.2500-16 UN	2.900	2.869	2.344	2.463	2.536	3.218	1.375
40	2.5000-16 UN	3.025	2.994	2.688	2.719	3.206	3.375	1.625

SEE SHEET 19
NOTES:

THE USE OF THIS DOCUMENT IS UNLIMITED.
HOWEVER, DOCUMENTS REFERENCED HEREON
MAY CONTAIN LIMITED RIGHTS DATA.

SIZE C	FSCM NO. 77820	DOCUMENT NO. AC SERIES	REV. G
SCALE: NONE	REF: N/A	SHEET 17 OF 19	

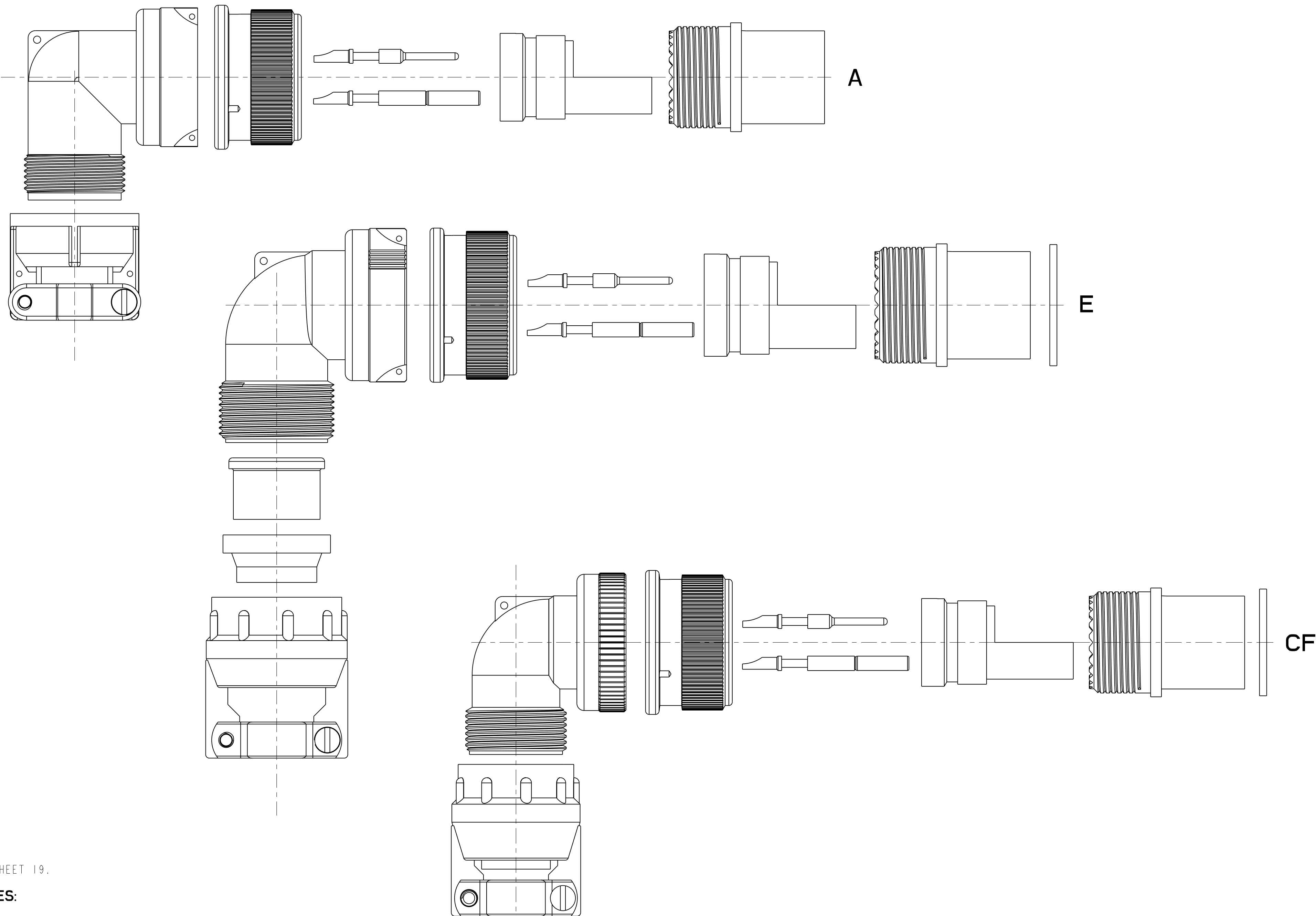
16 OF 19

AC SERIES

DOC NO

TAB.

AC()08()



SEE SHEET 19.

NOTES:

THE USE OF THIS DOCUMENT IS UNLIMITED.
 HOWEVER, DOCUMENTS REFERENCED HEREON
 MAY CONTAIN LIMITED RIGHTS DATA.

SIZE C	FSCM NO. 77820	DOCUMENT NO. AC SERIES	REV. G
SCALE: NONE	REF: N/A	SHEET 18 OF 20	

CRIMP WELL DATA					
CONTACT SIZE	0	4	8	12	16
WELL DIA	.453±.005	.281 ^{+.005} _{-.004}	.179 ^{+.004} _{-.002}	.098 ^{+.004} _{-.001}	.063 ^{+.004} _{-.001}
WELL DEPTH ^{+.031} _{-.000}	.592	.500	.500	.250	.250

SOLDER WELL DATA					
CONTACT SIZE	0	4	8	12	16
WELL DIA	.469 ^{+.005} _{-.003}	.332 ^{+.005} _{-.003}	.209 ^{+.004} _{-.002}	.116 ^{+.004} _{-.002}	.078 ^{+.004} _{-.002}
WELL DEPTH ^{+.031} _{-.000}	.625	.625	.500	.375	.250

7. PROCESS SPECIFICATIONS: (SEE NOTES 8 AND 9)

TYPE	A	E	F	R	AD	AF	LCFZ	PG	SB
ACS00 ACS01 ACS02	ASSEMBLY 9-3103-1 TEST 9-3106-5	ASSEMBLY 9-3238-1 TEST 9-3106-1	ASSEMBLY 9-3238-1 TEST 9-3106-5	ASSEMBLY 9-3238-1 TEST 9-3106-1	ASSEMBLY 9-3103-1 TEST 9-3106-5	ASSEMBLY 9-3103-1 TEST 9-3106-5	ASSEMBLY 9-3238-1 TEST 9-3106-1	ASSEMBLY 9-3238-1 TEST 9-3106-5	ASSEMBLY 9-3238-1 TEST 9-3106-5
ACS06 ACS08	ASSEMBLY 9-3103-1 TEST 9-3106-5	ASSEMBLY 9-3103-1 TEST 9-3106-5	ASSEMBLY 9-3103-1 TEST 9-3106-5	ASSEMBLY 9-3103-1 TEST 9-3106-5	ASSEMBLY 9-3103-1 TEST 9-3106-5	ASSEMBLY 9-3103-1 TEST 9-3106-5	ASSEMBLY 9-3103-1 TEST 9-3106-5	ASSEMBLY 9-3103-1 TEST 9-3106-5	ASSEMBLY 9-3103-1 TEST 9-3106-5
ACC00 ACC01 ACC02	ASSEMBLY 9-3104-1 TEST 9-3106-5	ASSEMBLY 9-3104-1 TEST 9-3106-5	ASSEMBLY 9-3104-1 TEST 9-3106-5	ASSEMBLY 9-3104-1 TEST 9-3106-5	ASSEMBLY 9-3104-1 TEST 9-3106-5	ASSEMBLY 9-3104-1 TEST 9-3106-5	ASSEMBLY 9-3104-1 TEST 9-3106-5	ASSEMBLY 9-3104-1 TEST 9-3106-5	ASSEMBLY 9-3104-1 TEST 9-3106-5
ACC06 ACC08	ASSEMBLY 9-3104-1 TEST 9-3106-5	ASSEMBLY 9-3104-1 TEST 9-3106-5	ASSEMBLY 9-3104-1 TEST 9-3106-5	ASSEMBLY 9-3104-1 TEST 9-3106-5	ASSEMBLY 9-3104-1 TEST 9-3106-5	ASSEMBLY 9-3104-1 TEST 9-3106-5	ASSEMBLY 9-3104-1 TEST 9-3106-5	ASSEMBLY 9-3104-1 TEST 9-3106-5	ASSEMBLY 9-3104-1 TEST 9-3106-5

6. STAMP INDICATED SURFACE IN A CONTRASTING COLOR PER WORK ORDER. IF NOTHING SPECIFIED ON WORK ORDER, STAMP CODED AC NUMBER, "AMPHENOL" AND DATE CODE (PER 9-3895). CHARACTER HEIGHT TO BE .062 MINIMUM.

5. ALL DIMENSIONS ARE FOR REFERENCE ONLY.

4. SEE SPEARATE PART LIST FOR COMPONENT PART NUMBERS AND QUANTITIES.

3. CRIMP CONTACTS ARE SHIPPED UNASSEMBLED.
SOLDER CONTACTS AND ALL INSERTS ARE NOT REMOVABLE.

2. FOR CONTACT SIZE, SPACING AND SERVICE RATING, SEE MIL-STD-1651 OR L-11908/48-().

1. UNIT MEETS ALL APPLICABLE REQUIREMENTS OF MIL-C-5015.

9. IF PART NUMBER CONTAINS MODIFIER "L", SUBSTITUTE ASSEMBLY SPECIFICATIONS 9-5336-5 FOR ACSL() AND 9-5336-1 FOR ACCL().

8. FOR ACC()E, ACC()F, ACC()PG, ACC()R, AND ACC()LCFZ, CONTACTS MUST BE BONDED IN BY CUSTOMER WITH A SUITABLE EPOXY.

NOTES:

THE USE OF THIS DOCUMENT IS UNLIMITED.
HOWEVER, DOCUMENTS REFERENCED HEREON
MAY CONTAIN LIMITED RIGHTS DATA.

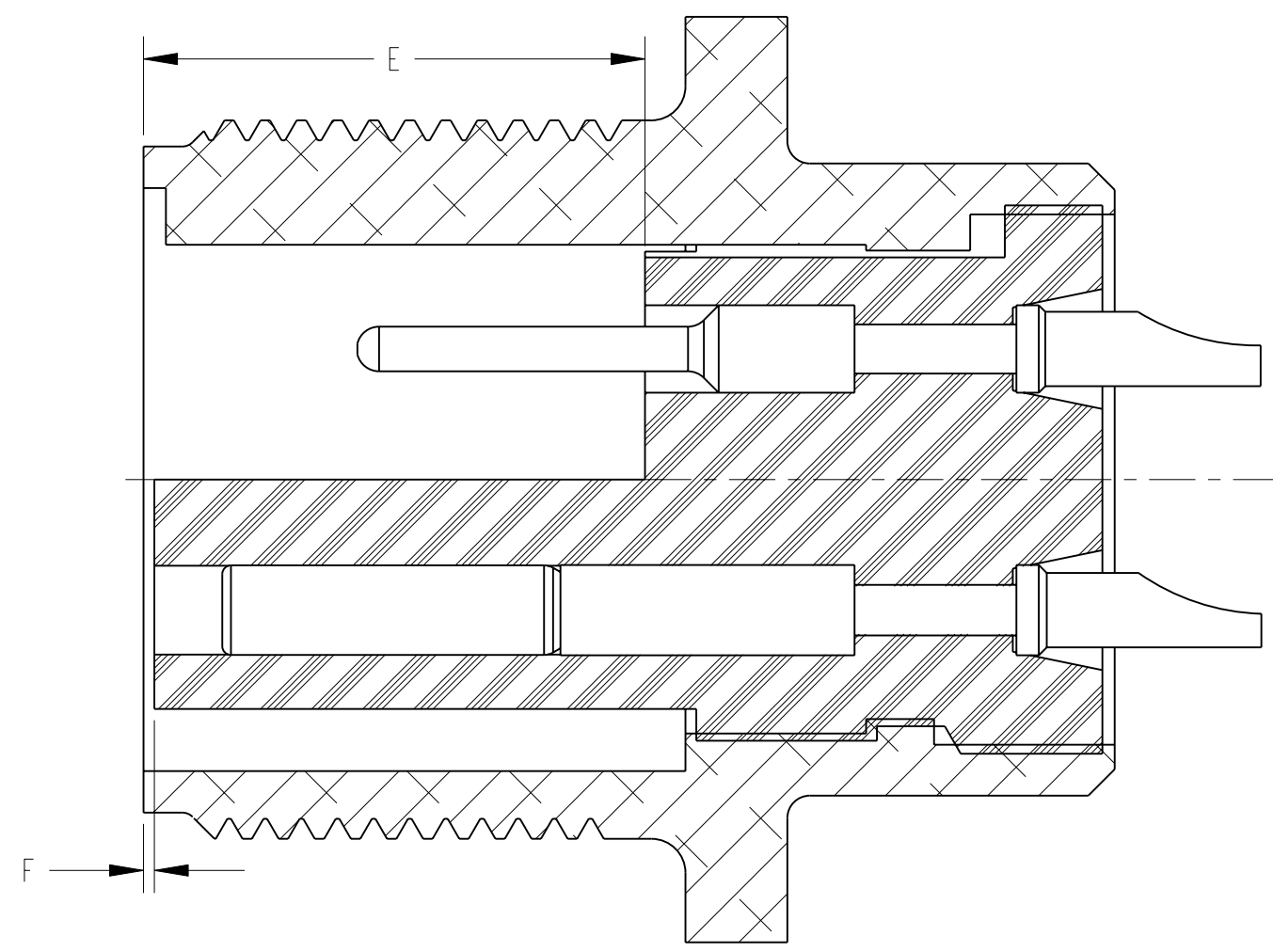
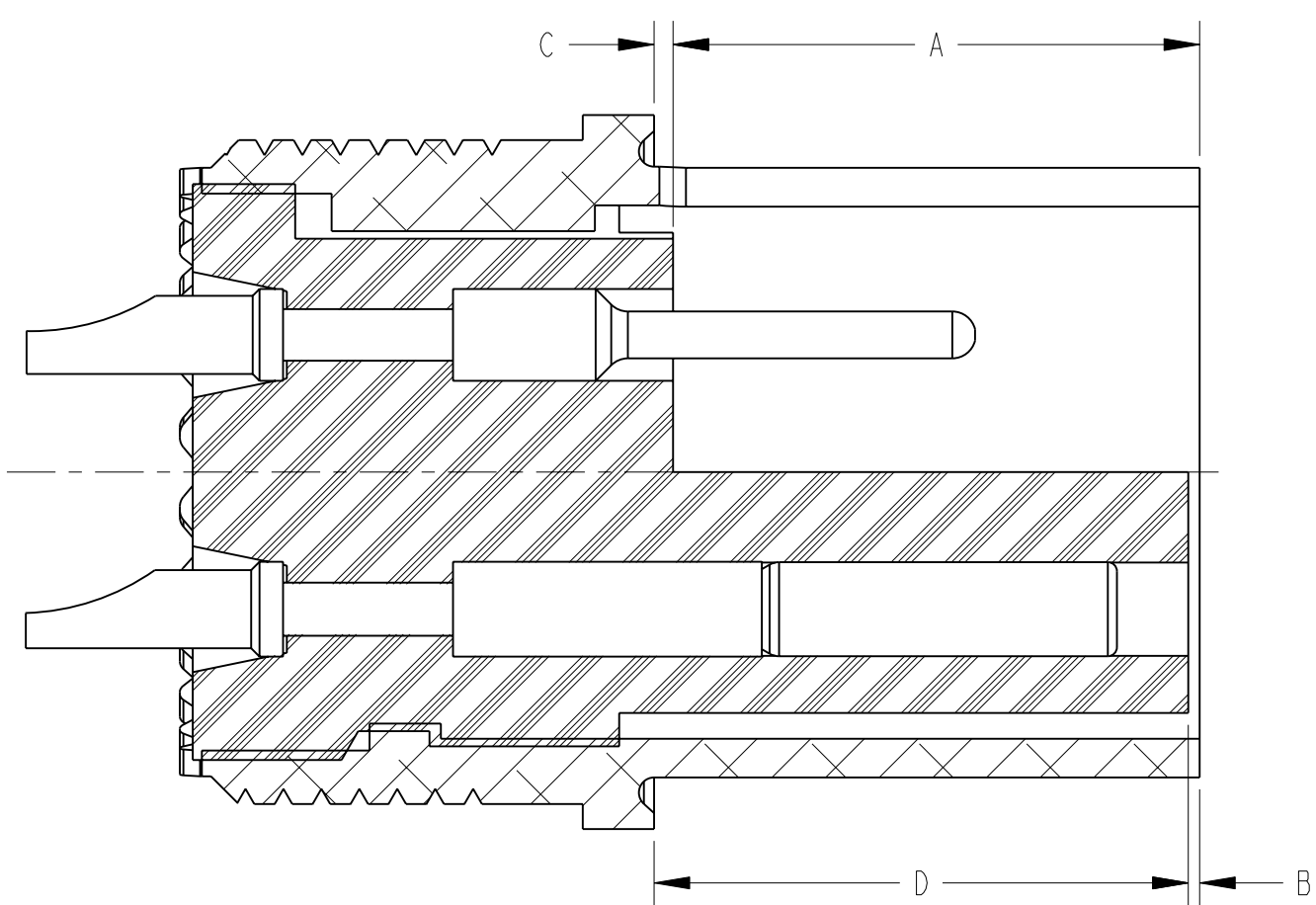
SIZE C	FSCM NO. 77820	DOCUMENT NO. AC SERIES	REV. G
SCALE: NONE	REF: N/A	SHEET 19 OF 20	

AC SERIES

18 OF 19

TAB.

AN MS SIZE	AMPHENOL EQUIVALENT	RB CONNL, & CONN. STAMPED "AN"				AN REF, MS, MS REF & QWL																																												
		A +.016 -.047	B +.016 -.047	E +.016 -.047	F +.016 -.047	C ±.031	D +.047 -.000	E ±.031	F +.000 -.047																																									
8S	8	.492			.000	.047			.000																																									
10S	10	.492			.000	.047			.000																																									
10SL	11	--			.492	--			--																																									
12S	12	.492																																																
12	13	.679											.679	.719	.672																																			
14S	14	.492											.492	.531	.484																																			
14	15	.679											.679	.719	.672																																			
16S	16	.492											.492	.531	.484																																			
16	17																																																	
18	18																		.000	.000	.047	.000																												
20	20																																																	
22	22																					.679	.679	.719	.672																									
24	24																																																	
28	28				.679	.679			.719	.672																																								
32	32																																																	
36	36																																																	
40	40																																																	
44	44																																																	
48	48																																																	



SEE SHEET 19.

NOTES:

THE USE OF THIS DOCUMENT IS UNLIMITED.
HOWEVER, DOCUMENTS REFERENCED HEREON
MAY CONTAIN LIMITED RIGHTS DATA.

SIZE C	FSCM NO. 77820	DOCUMENT NO. AC SERIES	REV. G
SCALE: NONE	REF: N/A	SHEET 20 OF 20	

TAB

Mouser Electronics

Authorized Distributor

Click to View Pricing, Inventory, Delivery & Lifecycle Information:

Amphenol:

[ACS01A18-1P-025](#) [ACS06A14S-7S-548](#) [ACS06A18-8P-027](#) [ACS01E14S-2S-003](#) [ACC08E24-9S-025-LC](#)
[ACS06A18-1S-027](#) [ACS02E10SL-3P-025](#) [ACCL02E14S-5PX-025-B30](#) [ACS06AF18-12S-025](#) [ACS02E14S-10S-003](#)
[ACC08A14S-5S-003](#) [ACS01AF14S-4P-003](#) [ACS01E24-28S-003](#) [ACS01PGA14S-A7P-003](#) [ACS02E28-12S-003](#)
[ACS02A32-17P-003](#) [ACS02E18-12S-003](#) [ACS00E18-1S-003](#) [ACS01F18-10P-003](#) [ACC06PGA28-16S-003](#)
[ACS02A36-52P-003](#) [ACS02R24-19P-003](#) [ACC06F10SL-3S-025](#) [ACS02E20-29S-025-B30](#) [ACC08E20-29P-003](#)
[ACS02E22-14P-025-B30](#) [ACC06F18-1S-027](#) [ACS06A18-1P-027](#) [ACC06F36-15S-003](#) [ACS00F10SL-3P-027](#)
[ACS06A18-1S-548](#) [ACS06A10SL-3S-027](#) [ACC06PGA14S-7S-003](#) [ACS01AF12S-3S-003](#) [ACC08R36-15S-003-LC](#)
[ACS01PGR14S-2SX-003](#) [ACC06PGA14S-9SX-003](#) [ACC06PGA14S-9SY-003](#) [ACC06F18-1SW-025](#) [ACS05A22-2S-003](#)
[ACC06PGA28-12SW-003](#) [ACS02R32-15P-027](#) [ACS02E10SL-3P-027](#) [ACS06AF18-1SW-472](#) [ACC06F20-7S-003](#)
[ACC08E14S-1P-003](#) [ACC06PGA14S-7SW-003](#) [ACS06A18-1P-548](#) [ACS01AD14S-7P-003](#) [ACS02A20-18P-548](#)
[ACC06R16S-4P-025](#) [ACS02E20-18S-548](#) [ACS05AF18-1S-548](#) [ACC06F36-77P-003](#) [ACS06AF28-51P-003](#)
[ACS06AF24-27P-003](#) [ACS06AF24-28P-003](#) [ACS06E20-3S-472](#) [ACS06E24-9S-025](#) [ACS06E20-27P-003](#)
[ACS08R20-4P-025](#) [ACS06AF36-78S](#) [ACS06E20-29P-003](#) [ACS06AF24-6S-472](#) [ACS08AD22-10S-003](#)
[ACSL02A14S-2S-003](#) [ACS08R36-3S-003](#) [ACS06CF14S-5P-003](#) [ACS06AF28-11S-003](#) [ACS06AF28-21S-003](#)
[ACS06AF40-35S-003](#) [ACS06E10SL-4P-027](#) [ACS06CF14S-7S-003](#) [ACS06E18-11S-025](#) [ACSL01AF14S-2S-003](#)
[ACS06E18-11P-003](#) [ACS06E18-22S-003](#) [ACSL02A18-19PX-025](#) [ACS06E20-4P-003](#) [ACS06F16S-1S-472](#)
[ACS06CF22-22S-025](#) [ACS08E36-52P-003](#) [ACS06E10SL-3P-003](#) [ACS06AF22-23S-472](#) [ACS08R10SL-3S-027](#)
[ACS06R18-24P-003](#) [ACS06AF20-8S-003](#) [ACS08E20-25S-003](#) [ACS06AF28-21S](#) [ACS06AF36-78S-003](#) [ACS06AF28-5P-003](#)
[ACS06AF24-27S-003](#) [ACS06AF28-AYS-003](#) [ACS06E24-11P-003](#) [ACS06AF36-79S-003](#) [ACS06PGR14S-2PX-003](#)
[ACS06F40-5S-003](#) [ACS06E24-26S-003](#) [ACS06F18-19S-027](#) [ACS06AF24-28SB](#)