

THIS DRAWING IS UNPUBLISHED.

RELEASED FOR PUBLICATION

© COPYRIGHT 2014 Tyco Electronics Japan G.K.

ALL RIGHTS RESERVED.

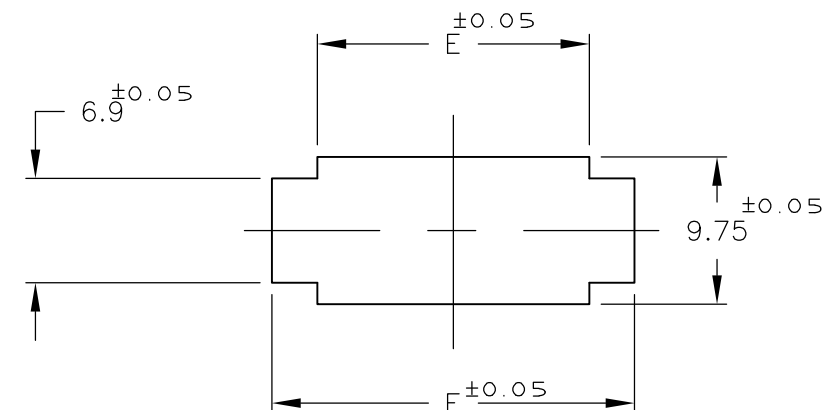
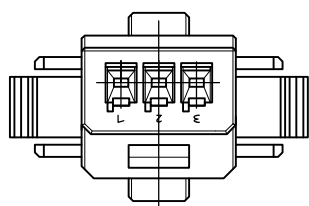
LOC	DIST	REVISIONS			
P	LTR	DESCRIPTION	DATE	DWN	APVD
J	ZDI	B	REVISED	06JUN2014	H.O N.Y

注記

- ① 材料：ハウジング：ガラス入り熱可塑性ポリエステル樹脂（94V-0），色：黒
- ② 金属パネルの場合、コネクタ取付け方向をパンチ加工方向にしてください。
- ③ プラスチックパネルの場合、穴端部にRなき様にご配慮ください。
- ~~④ ハウジング全面にテフロン塗装のこと~~

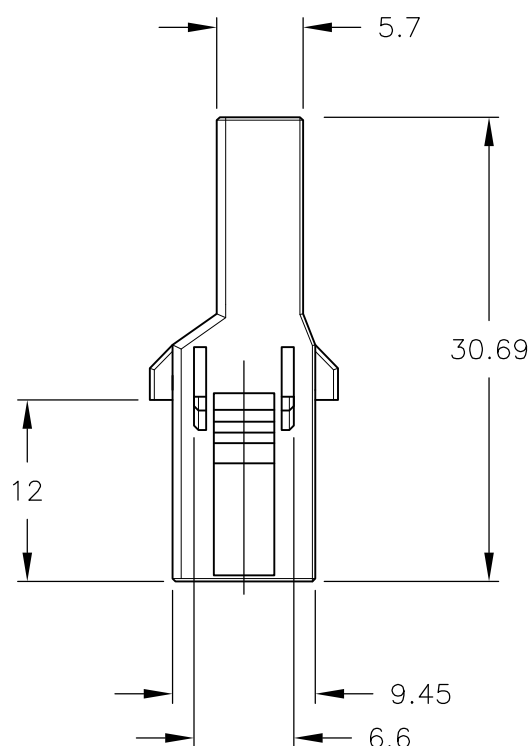
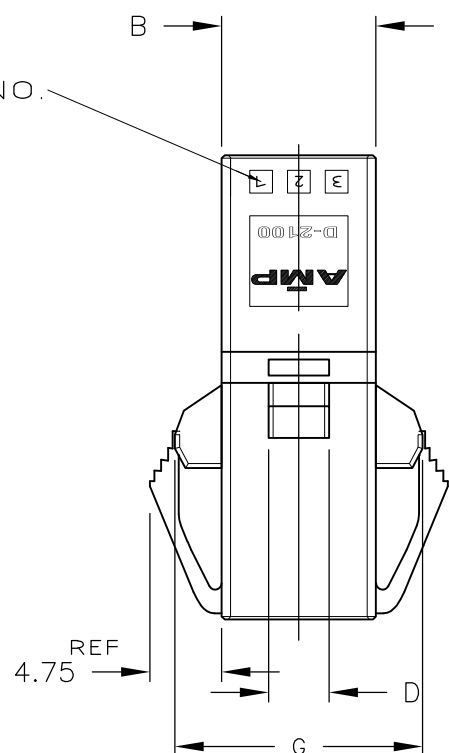
NOTES

- ① MATERIAL:HOUSING:GLASS FILED THERMO PLASTIC ,POLYESTER(94V-0),COLOR:BLACK
- ② INSERT CONN FROM PRESS DIRECTION SIDE FOR METAL PANEL.
- ③ EDGE OF THICKNESS WAY MUST NOT ROUND FOR MOLDED PANEL.
- ~~④ TO COAT ALL SURFACE OF HOUSING WITH TEFLON~~



パネル加工推奨寸法図  
RECOMMENDED PANEL LAYOUT  
(適用パネル厚：0.8-2.0)  
(APPLICABLE PANEL THICKNESS:0.8-2.0)

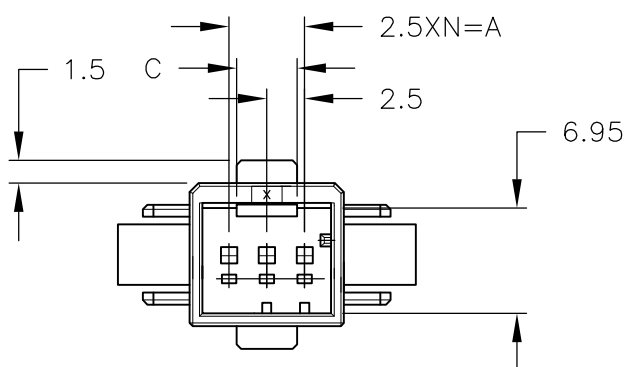
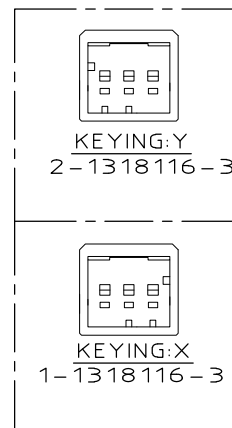
CIRCUIT NO.  
回路番号



TOLERANCES UNLESS OTHERWISE SPECIFIED:

一般公差

10 ≧	±0.3
30 ≧	>10 : ±0.35
100 ≧	>30 : ±0.4
ANGLE : ±3'	



OBSOLETE	5	10.2	4	4	10.5	16.5	16.38	2	3	5-1318116-3
	5	10.2	4	4	10.5	16.5	16.38	2	3	2-1318116-3
	5	10.2	4	4	10.5	16.5	16.38	2	3	1-1318116-3
FINISH	A	B	C	D	E	F	G	N	POS	P/N

THIS DRAWING IS A CONTROLLED DOCUMENT.

DWN: K.IKEDA 7/DEC/'98  
CHK: N.MATSUBARA 7/DEC/'98  
APVD: I.HASEGAWA 7/DEC/'98

**STE** TE Connectivity

例 タブ ハウジング パネルマウント タイプ  
SINGLE ROW TAB HSG (PANEL MOUNT)  
DYNAMIC D-2100D

PRODUCT SPEC: 108-5619  
APPLICATION SPEC: 114-5258

SIZE: A3 CAGE CODE: 00779 DRAWING NO: C-1318116 RESTRICTED TO: -

WEIGHT: -

CUSTOMER DRAWING SCALE: 2:1 SHEET: 1 OF 1 REV: B

# Mouser Electronics

Authorized Distributor

Click to View Pricing, Inventory, Delivery & Lifecycle Information:

[TE Connectivity:](#)

[1-1318116-3](#)