

**JE-13-B**

**M**

DRAWING NUMBER

**3**

ISSUE

REVISIONS

<b>A</b>	PR14127
	TSK
	21 AUG 85
<b>B</b>	CO
	61293
	WJM
	14 APR 87

CHECK

CHECK

CHECK

CHECK

CHECK

CHECK

CHECK

REPLACES

RELEASE NO. PR-14127

CHECK

CHECK

CHECK

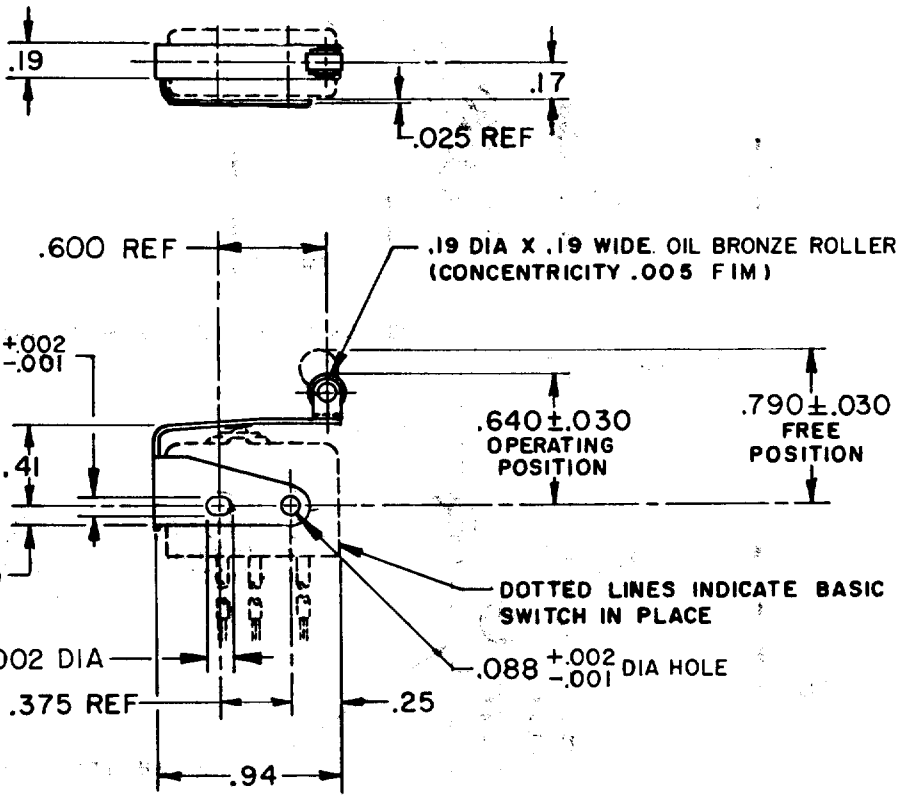
CHECK

CHECK

CHECK

CHECK

CHECK



NOTE  
 1 UNIT FURNISHED BULK PACKED

THIS DRAWING COVERS A PROPRIETARY ITEM AND IS THE PROPERTY OF MICRO SWITCH, A DIVISION OF HONEYWELL. THIS DRAWING IS NOT TO BE COPIED OR USED WITHOUT THE APPROVAL OF MICRO SWITCH.

THIRD ANGLE PROJECTION

<b>CHARACTERISTICS</b>
OPERATING FORCE ----- 12 OZ MAX
RELEASE FORCE ----- 2 OZ MIN
DIFFERENTIAL TRAVEL ----- .025 MAX
OVERTRAVEL ----- .015 MIN

<b>ELECTRICAL DATA</b>
CONTACT ARRANGEMENT

SCALE FULL																									
DO NOT SCALE PRINT																									
<b>TOLERANCES</b>																									
APPLY TO DESIGN UNITS. CONVERSIONS ARE ONLY FOR REFERENCE. UNLESS NOTED, TOLERANCES ARE ±																									
<table border="1"> <thead> <tr> <th></th> <th>DIM. mm</th> <th>TOL. mm/in</th> <th>DIM. in</th> <th>TOL. mm/in</th> </tr> </thead> <tbody> <tr> <td>NO PLACES</td> <td>X</td> <td>±.04</td> <td>X</td> <td>±.001</td> </tr> <tr> <td>ONE PLACE</td> <td>X,X</td> <td>0.07,015</td> <td>X,X</td> <td>0.001,015</td> </tr> <tr> <td>TWO PLACES</td> <td>X,X,X</td> <td>0.15,0.008</td> <td>X,X,X</td> <td>0.001,0.008</td> </tr> <tr> <td>THREE PLACES</td> <td>X,X,X,X</td> <td>0.15,0.008</td> <td>X,X,X,X</td> <td>0.15,0.008</td> </tr> </tbody> </table>		DIM. mm	TOL. mm/in	DIM. in	TOL. mm/in	NO PLACES	X	±.04	X	±.001	ONE PLACE	X,X	0.07,015	X,X	0.001,015	TWO PLACES	X,X,X	0.15,0.008	X,X,X	0.001,0.008	THREE PLACES	X,X,X,X	0.15,0.008	X,X,X,X	0.15,0.008
	DIM. mm	TOL. mm/in	DIM. in	TOL. mm/in																					
NO PLACES	X	±.04	X	±.001																					
ONE PLACE	X,X	0.07,015	X,X	0.001,015																					
TWO PLACES	X,X,X	0.15,0.008	X,X,X	0.001,0.008																					
THREE PLACES	X,X,X,X	0.15,0.008	X,X,X,X	0.15,0.008																					
DESIGN UNITS <input type="checkbox"/> SI METRIC <input type="checkbox"/> US CUSTOMARY																									
WEIGHT																									

OVERTRAVEL ----- .015 MIN

TWO PLACE (.00)	±.015
THREE PLACE (.000)	±.008
ANGLES	±
<b>WEIGHT</b>	

FO-52848-A

DF

MBF

# Mouser Electronics

Authorized Distributor

Click to View Pricing, Inventory, Delivery & Lifecycle Information:

[Honeywell:](#)

[JE-13-B](#)