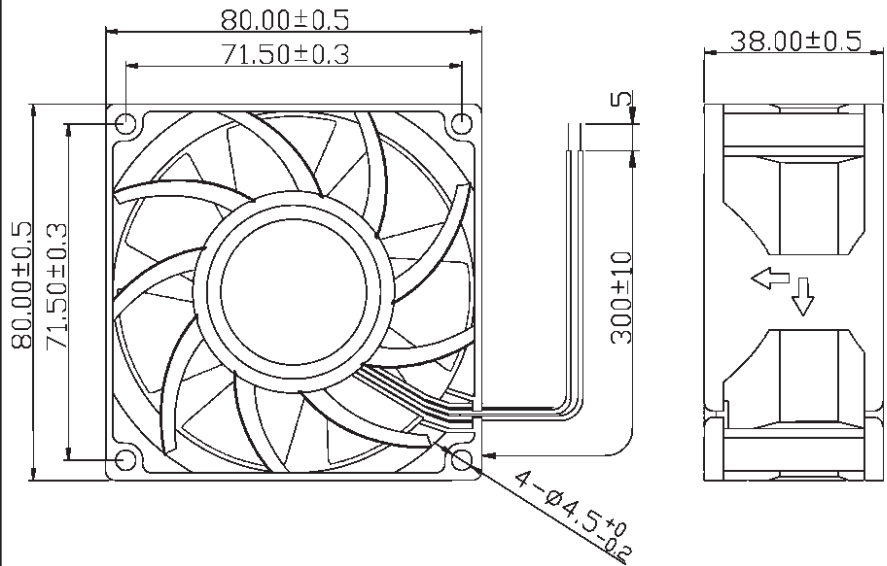


OD8038 VA Series

Vaneaxial, High Pressure



DC Fan - 12, 24, 48V
80x38mm (3.15"x 1.5")



Frame & Impeller	PBT, UL94V-0 plastic	Options Available Tachometer (FG) Locked Rotor Alarm (RD) Thermal Control PWM IP55 Life Expectancy (L10) 70,000 hours (40C) Weight: ~0.40 lbs. m1	
Connection	2x Lead wires, Red(+), Black (-)		
Motor	Brushless DC, auto restart, polarity protected.		
Bearing System	Dual ball bearing		
Insulation Resistance	Min. 10M at 500VDC		
Dielectric Strength	1 minute at 500 VAC, max leakage < 500 MicroAmp		
Temperature Range	-10C ~ 70C		
Storage Temperature	-40C ~ +80C		

Model Number	Speed (RPM)	Airflow (CFM)	Noise (dB)	Volts DC	Input Power (Watts)	Amps	Max. Static Pressure (\"H2O)
OD8038-12HHB-VXC	7100	112	60	12	22	1.9	1.10
OD8038-12HB-VXC	6300	99	57	12	14	1.2	0.81
OD8038-12MB-VXC	5600	89	54	12	10	0.8	0.75
OD8038-12LB-VXC	4900	76	51	12	6	0.5	0.50
OD8038-24HB-VXC	6300	99	57	24	13	0.5	0.81
OD8038-24MB-VXC	5600	89	54	24	10	0.4	0.75
OD8038-24LB-VXC	4900	76	51	24	7	0.3	0.50
OD8038-48HB-VXC	6300	99	57	48	14	0.3	0.81
OD8038-48MB-VXC	5600	89	54	48	10	0.2	0.75
OD8038-48LB-VXC	4900	76	51	48	7	0.15	0.50

Mouser Electronics

Authorized Distributor

Click to View Pricing, Inventory, Delivery & Lifecycle Information:

Orion Fans:

[OD8038-12HHB-VXC](#) [OD8038-12HB-VXC](#) [OD8038-12MB-VXC](#) [OD8038-12LB-VXC](#) [OD8038-24HB-VXC](#) [OD8038-24MB-VXC](#) [OD8038-24LB-VXC](#) [OD8038-48HB-VXC](#) [OD8038-48MB-VXC](#) [OD8038-48LB-VXC](#) [OD9238-12HB-VXC](#) [OD9238-24HB-VXC](#) [OD9238-48HB-VXC](#) [OD8038-12HBVXC](#) [OD8038-48HBVXC10A](#) [OD8038-12HBVXC10A](#) [OD8038-24HBVXC](#) [OD8038-24HBVXC10A](#) [OD8038-48HBVXC](#) [OD8038-4BMBVXC](#) [OD8038-48HBVXCIP55](#)