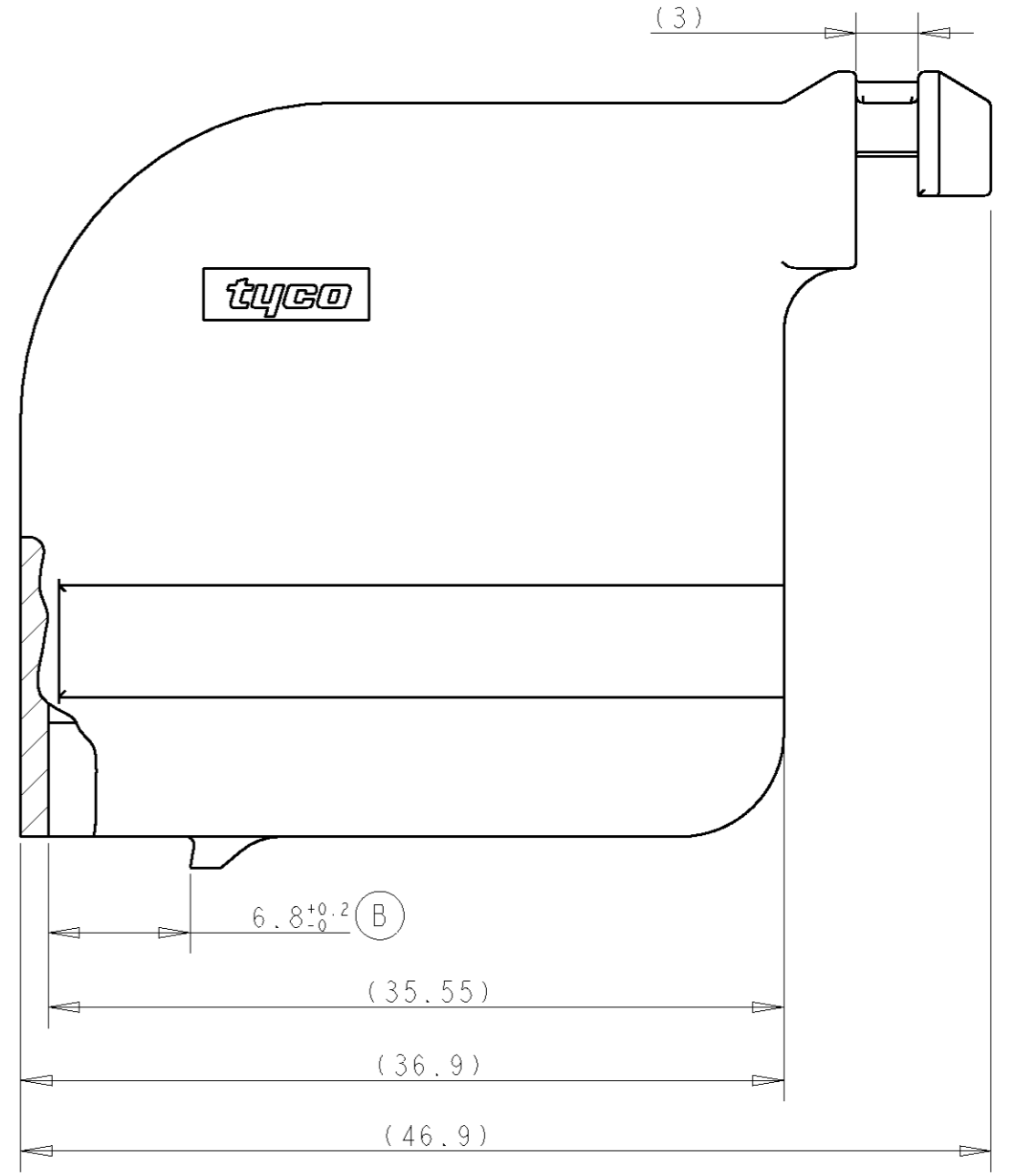
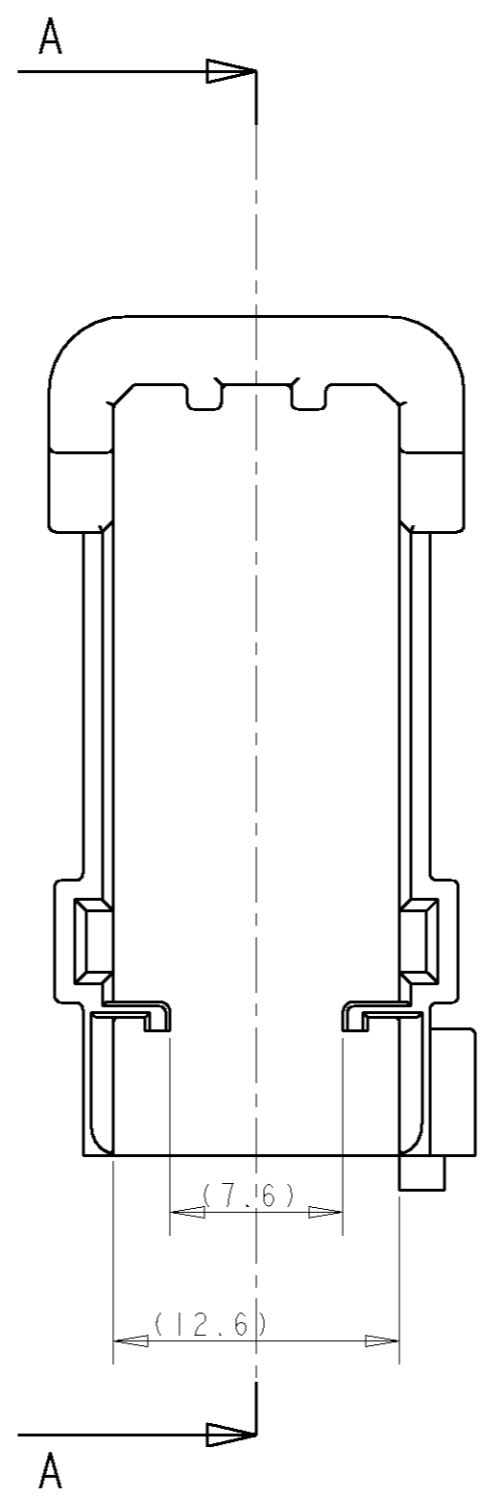
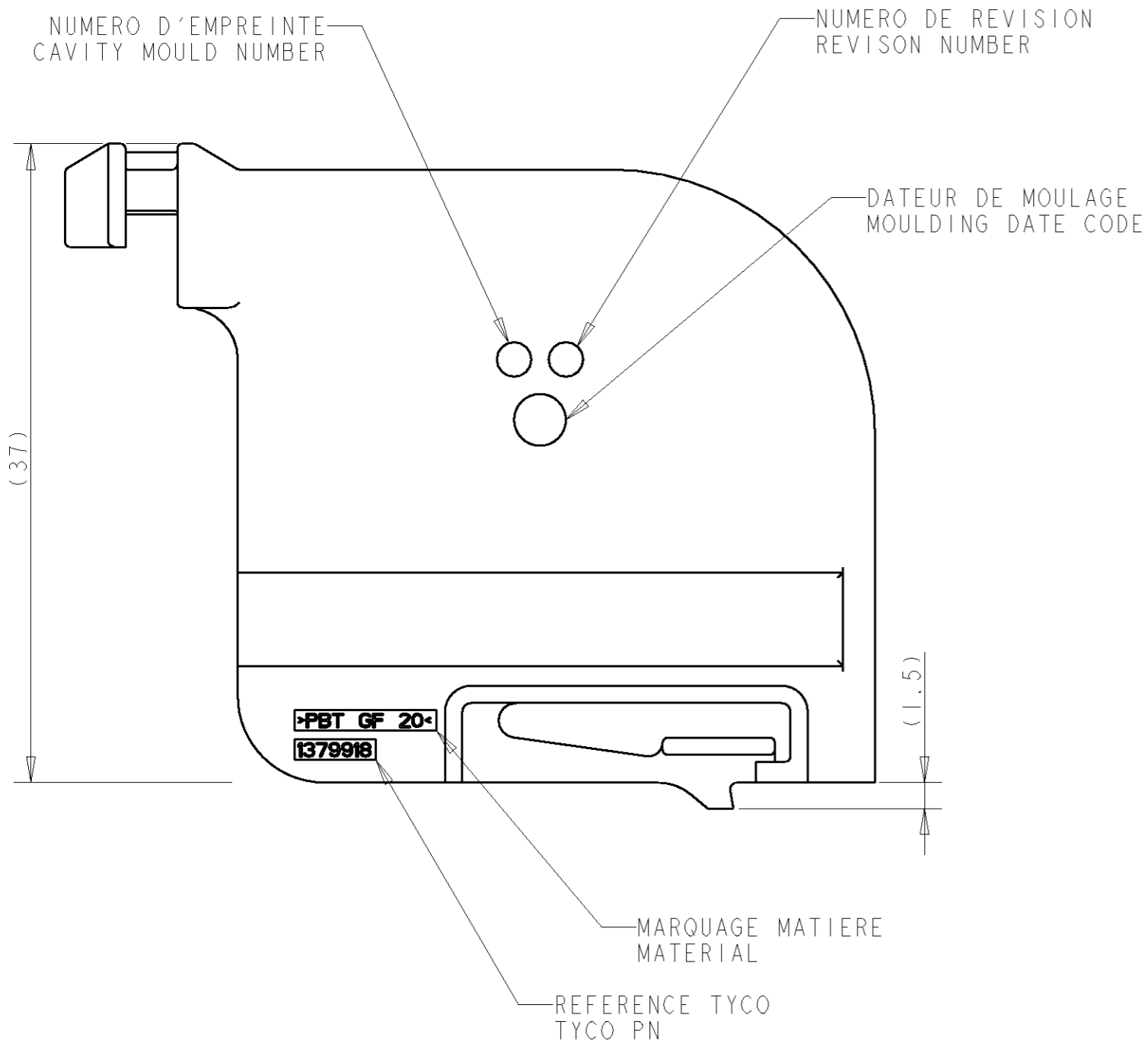
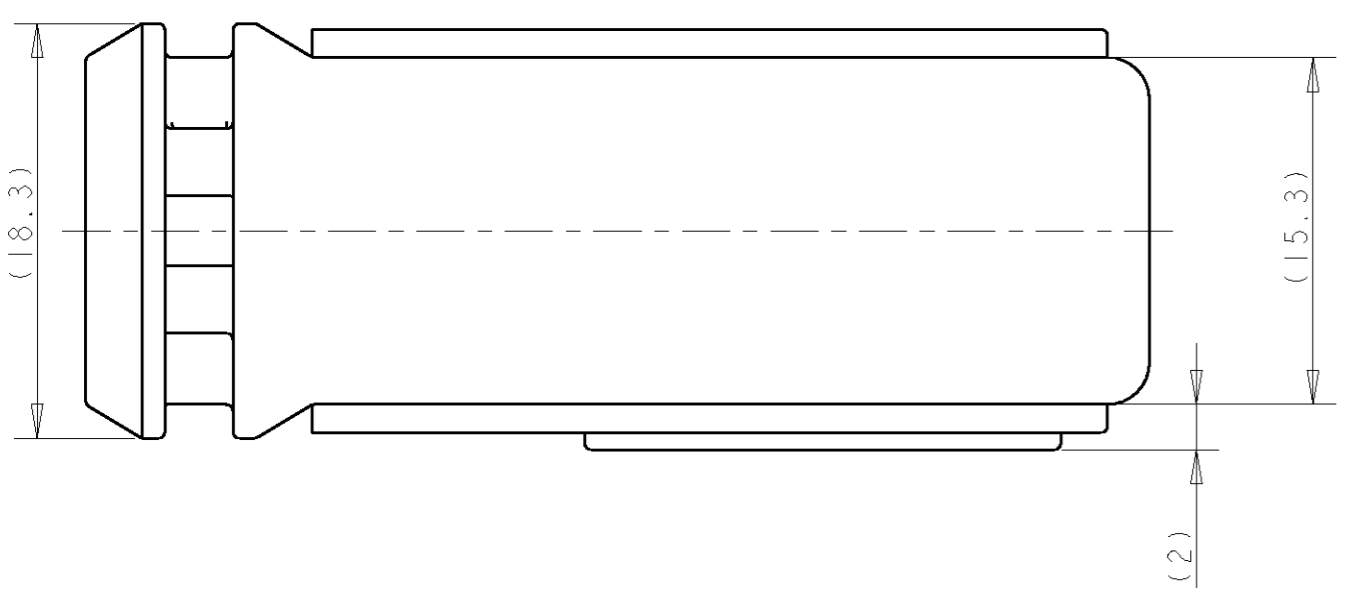


THIS DRAWING IS UNPUBLISHED. / RELEASED FOR PUBLICATION
 DIFFUSION RESTREINTE / LIBRE A LA DIFFUSION
 © COPYRIGHT 20 / BY TYCO ELECTRONICS CORPORATION. ALL RIGHTS RESERVED.
 TOUS DROITS RESERVES

LOC	DIST	REVISIONS					
F	00	P	LTR	DESCRIPTION MODIFICATIONS	DATE	DWN DESS.	APVD APP.
		A		RELEASE	20SEP2005	AB	XR
		B		SEE BUBBLE B	27JAN2006	AB	XR



COUPE A - A



REFERENCE TYCO TYCO PN	COULEUR COLOUR	MATIERE MATERIAL
1379918-1	NOIR BLACK	PBT 20% FV PBT 20% FG

NOTES :

- 1 - PIECE A UTILISER AVEC/PART TO USE WITH:
 - LANGUETTES/TAB MQS REF 928918-X ET/AND MPQ 1355933-X
 - PORTE-LANGUETTES/TAB HOUSING 20 VOIES MQS MPQ HYBRIDES X-1379913-X
- 3 - CAHIER DE PRECONISATIONS/REQUIREMENT SHEET : 411-15698

THIS DRAWING IS A CONTROLLED DOCUMENT FOR TYCO ELECTRONICS CORPORATION. IT IS SUBJECT TO CHANGE AND THE CONTROLLING ENGINEERING ORGANIZATION SHOULD BE CONTACTED FOR THE LATEST REVISION. CE PLAN EST UN DOCUMENT CONTROLÉ PAR TYCO ELECTRONICS. IL EST SUSCEPTIBLE D'ÊTRE REVISÉ. CONTACTER LE SERVICE TECHNIQUE DE TYCO ELECTRONICS POUR OBTENIR LA DERNIÈRE RÉVISION.		DWN /DESSINE A. BARLEMONT 27FEB2004	tyco Electronics		TYCO ELECTRONICS France SAS BP 30039, 95301 CERGY-PONTOISE Cedex
DIMENSIONS: mm		CHK /VERIFIE M. POLIFONTE 27FEB2004	NAME /TITRE CAPOT POUR PORTE-LANGUETTES 20 VOIES HYBRIDE		
TOLERANCES UNLESS OTHERWISE SPECIFIED: TOLERANCES NON SPECIFIEES (SUIV. NB. DE DECIMALES)		APVD /APPROUVE X. ROULLIARD 27FEB2004	PRODUCT SPEC 108-15343		
MATERIAL/MATIERE VOIR TABLEAU		APPLICATION SPEC 411-15698	SIZE FORMAT A2		RESTRICTED TO RESERVE A
FINISH/FINITION		WEIGHT /MASSE APPROX. 7 g	CAGE CODE 00779	DRAWING NO /No PLAN C-1379918	
		CUSTOMER DRAWING /PLAN CLIENT	UNIFORMENT POUR REFERENCE	SCALE /ECHELLE 3:1	SHEET OF /FEUILLE DE 1 REV B

Mouser Electronics

Authorized Distributor

Click to View Pricing, Inventory, Delivery & Lifecycle Information:

[TE Connectivity:](#)

[1379918-1](#)