

Features

- 2 Differential Channel, 2:1 Mux/DeMux
- USB 3.0 SuperSpeed switch
- Bi-directional operation
- Low Bit-to-Bit Skew, 10 ps max
- 3dB Bandwidth = 8.1GHz
- Low channel-to-channel skew: 20 ps max
- Low insertion loss: -1dB @ 2.5 GHz (5.0 Gbps)
- Low Crosstalk: -33dB @ 2.5 GHz (5.0 Gbps)
- Low Off Isolation: -27dB @ 2.5 GHz (5.0 Gbps)
- Low Return Loss: -23.3dB @ 2.5GHz (5.0Gbps)
- V_{DD} Operating Range: 3.3 V +/-10%
- ESD Tolerance: 2 kV HBM
- Low current: 0.2mA Typ.
- Packaging (Pb-free & Green):
 - – 20-contact TQFN (2.5 × 4.5mm)

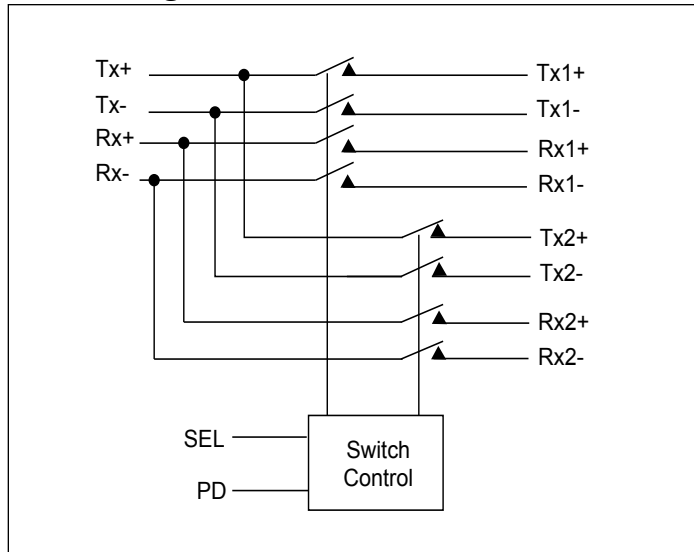
Description

Pericom Semiconductor's PI3USB302-A is a 2-differential channel bi-directional multiplexer/demultiplexer switch. Due to its low bit-to-bit skew, high channel-to-channel noise isolation and bandwidth, this product is ideal for USB 3.0 signal switching at 5.0 Gbps.

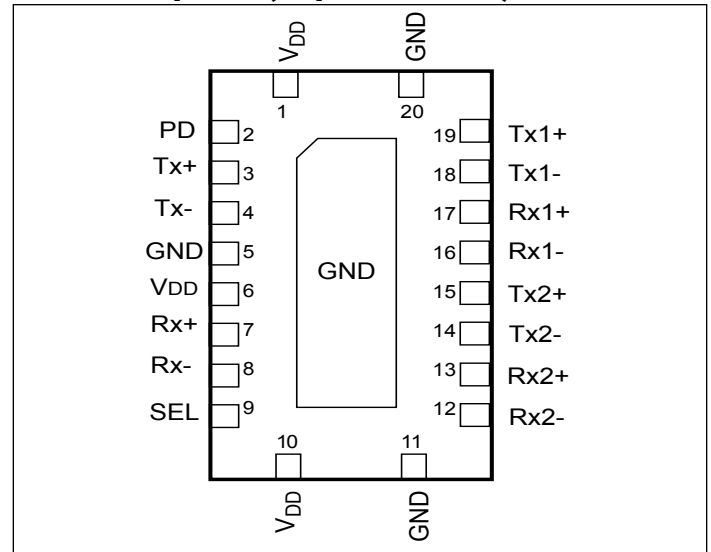
Application

Routing USB 3.0 SuperSpeed signals

Block Diagram



Pin Description (Top-side view)



Truth Table

Function	SEL	PD
port 1 is active	L	L
port 2 is active	H	L
Both Ports Hi-z, IC power down	x	H

Pin Description

Pin #	Pin Name	I/O	Description
2	PD	I	Power Down input. see truth table on page 1 for functionality
3	Tx+	I/O	Signal I/O, Transmit differential pair from common port
4	Tx-	I/O	
7	Rx+	I/O	Signal I/O, Receive differential pair from common port
8	Rx-		
9	SEL	I	Operation mode Select (when SEL=0: port 1 is active, when SEL=1: port 2 is active)
14	Tx2-	I/O	Signal I/O, Transmit differential pair, port 2
15	Tx2+		
12	Rx2-	I/O	Signal I/O, Receive differential pair, port 2
13	Rx2+		
17	Rx1+	I/O	Signal I/O, Receive differential pair, port 1
16	Rx1-		
19	Tx1+	I/O	Signal I/O, Transmit differential pair, port 1
18	Tx1-		
6, 10, 1	V _{DD}	Pwr	3.3V ±10% Positive Supply Voltage
5, 11, 20, center pad	GND	Pwr	Power ground

Maximum Ratings

(Above which useful life may be impaired. For user guidelines, not tested.)

Storage Temperature	-65°C to +150°C
Supply Voltage to Ground Potential	-0.5V to +4.6V
Channel DC Input Voltage	-0.5V to 1.5V
SEL/PD DC Input Voltage	-0.5V to 4.6V
DC Output Current	120mA
Power Dissipation	0.5W

Note: Stresses greater than those listed under MAXIMUM RATINGS may cause permanent damage to the device. This is a stress rating only and functional operation of the device at these or any other conditions above those indicated in the operational sections of this specification is not implied. Exposure to absolute maximum rating conditions for extended periods may affect reliability.

Electrical Characteristics

Recommended Operating Conditions

Symbol	Parameter	Conditions	Min	Typ	Max	Units
V _{DD}	3.3V Power Supply		3.0	3.3	3.6	V
I _{DD}	Total current from V _{DD} 3.3V supply	SEL = 0V or V _{DD} ,		0.2	1	mA
I _{DD_PD}	Power down current	PD = 1		20	40	uA
T _{CASE}	Case temperature range for operation within spec.		-40		85	Celsius

DC Electrical Characteristics for Switching over Operating Range

Parameters	Description	Test Conditions ⁽¹⁾	Min	Typ ⁽¹⁾	Max	Units
V _{IH-SEL, PD}	Input HIGH Voltage, SEL, PD Input		2		3.6	V
V _{IL-SEL, PD}	Input LOW Voltage, SEL, PD Input		0		0.8	
V _{IK}	Clamp Diode Voltage	V _{DD} = Max, I _{IN} = -18mA		-0.7	-1.2	
I _{IH}	Input HIGH Current SEL, PD Input	V _{DD} = Max, V _{IN} = V _{DD}	-5		+5	uA
I _{IL}	Input LOW Current, SEL, PD Input	V _{DD} = Max, V _{IN} = 0V	-5		+5	
I _{IH}	Input High Current, T _X , R _X	V _{DD} = Max, V _{IN} = 1.5V	-10		+10	
I _{IL}	Input LOW Current, T _X , R _X	V _{DD} = Max, V _{IN} = 0V	-10		+10	
I _{IOZH}	High Z HIGH Current, T _X , R _X	V _{DD} = Max, V _{IN} = 1.5V	-10		+10	uA
I _{IOZL}	High Z LOW Current, T _X , R _X	V _{DD} = Max, V _{IN} = 0V	-10		+10	uA

Note:

1. Typical values are at V_{DD} = 3.3V, T_A = 25°C ambient and maximum loading.

Switching Characteristics

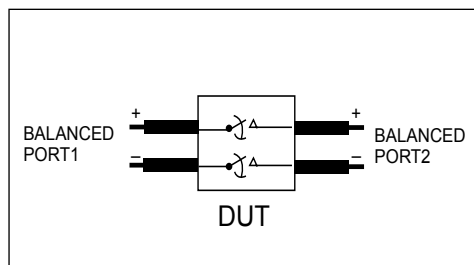
Parameters	Description	Test Conditions	Min.	Typ.	Max.	Units
t _{PZH} , t _{PZL}	Line Enable Time			25	30	ns
t _{PHZ} , t _{PLZ}	Line Disable Time			5	25	
t _{b-b}	Bit-to-bit skew within the same differential pair			5	10	ps
t _{ch-ch}	Channel-to-channel skew				20	

Dynamic Electrical Characteristics

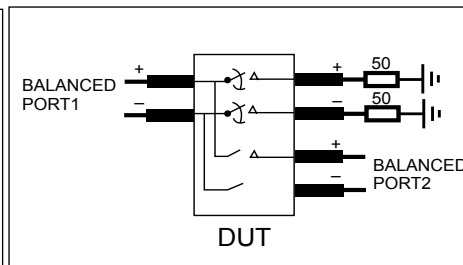
Parameter	Description	Test Conditions	Min.	Typ. ⁽¹⁾	Max.	Units
DDIL ^{2,3}	Differential Insertion Loss ($V_{IN} = -10\text{dBm}$, $DC = 0V$)	$f = 100\text{MHz}$ $f = 1.25\text{GHz}$ $f = 2.5\text{GHz}$ $f = 4.0\text{GHz}$		-0.4 -0.6 -1.0 -1.7		dB
DDIL _{OFF} ^{2,3}	Differential Off Isolation	$f = 100\text{MHz}$ $f = 1.25\text{GHz}$ $f = 2.5\text{GHz}$ $f = 4.0\text{GHz}$		-59 -37 -27 -21		dB
DDRL ²	Differential Return Loss	$f = 100\text{MHz}$ $f = 1.25\text{GHz}$ $f = 2.5\text{GHz}$ $f = 4.0\text{GHz}$		-27 -23.3 -23.3 -13.5		dB
DDNEXT ^{2,3}	Near End Crosstalk	$f = 100\text{MHz}$ $f = 1.25\text{GHz}$ $f = 2.5\text{GHz}$ $f = 4.0\text{GHz}$		-57 -38 -33 -32		dB
BW	-3dB Bandwidth			8.1		GHz

Notes:

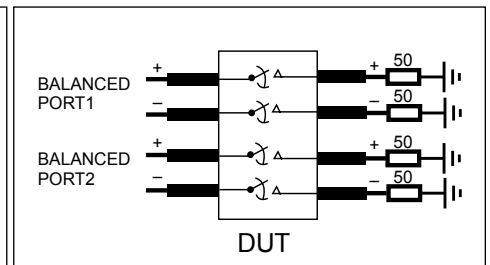
1. Guaranteed by design. Typical values are at $V_{DD} = 3.3V$, $T_A = 25^\circ\text{C}$ ambient and maximum loading.
2. S parameters are measured with our evaluation board made with Rogers (R04350) material. Trace width is 30 mil, length 540 mil, trace impedance is 50 Ohm (+/- 5%) and total insertion loss of the trace is 0.5dB@4GHz.
3. Measurement done with fixture deembedding.



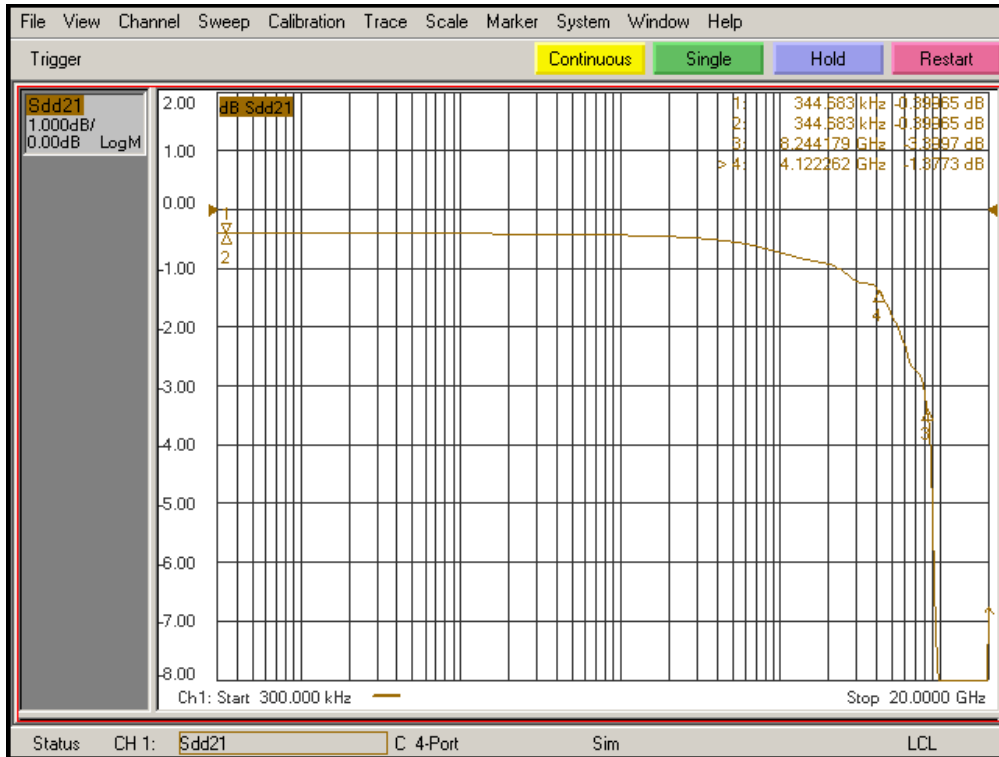
Diff. Insertion Loss and Return Test Circuit



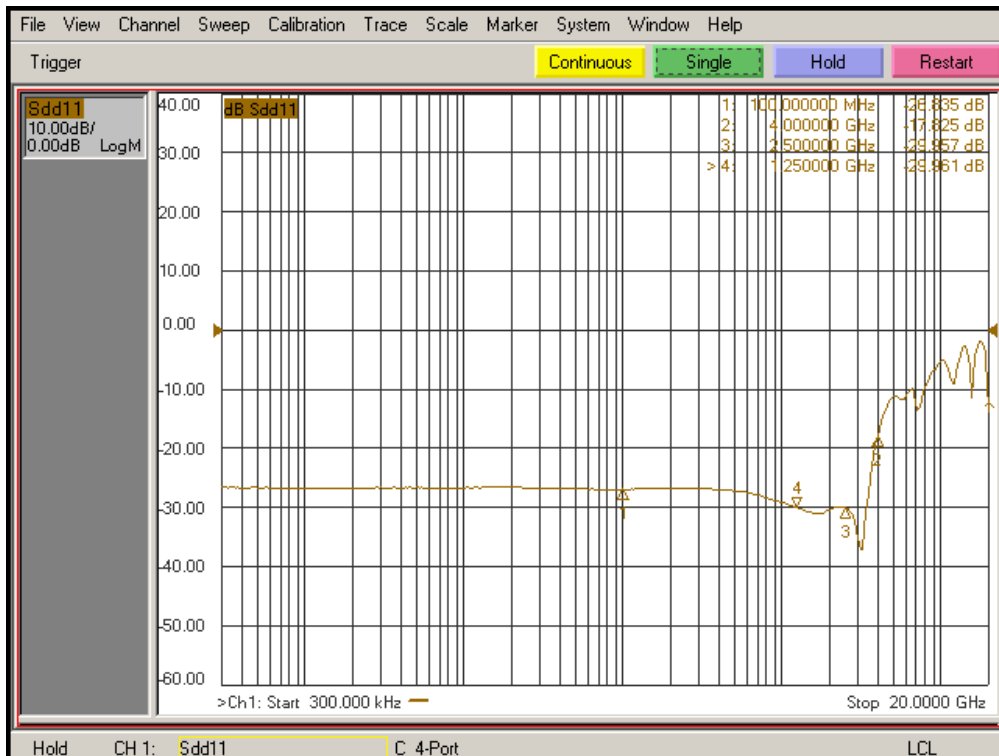
Diff. Off Isolation Test Circuit



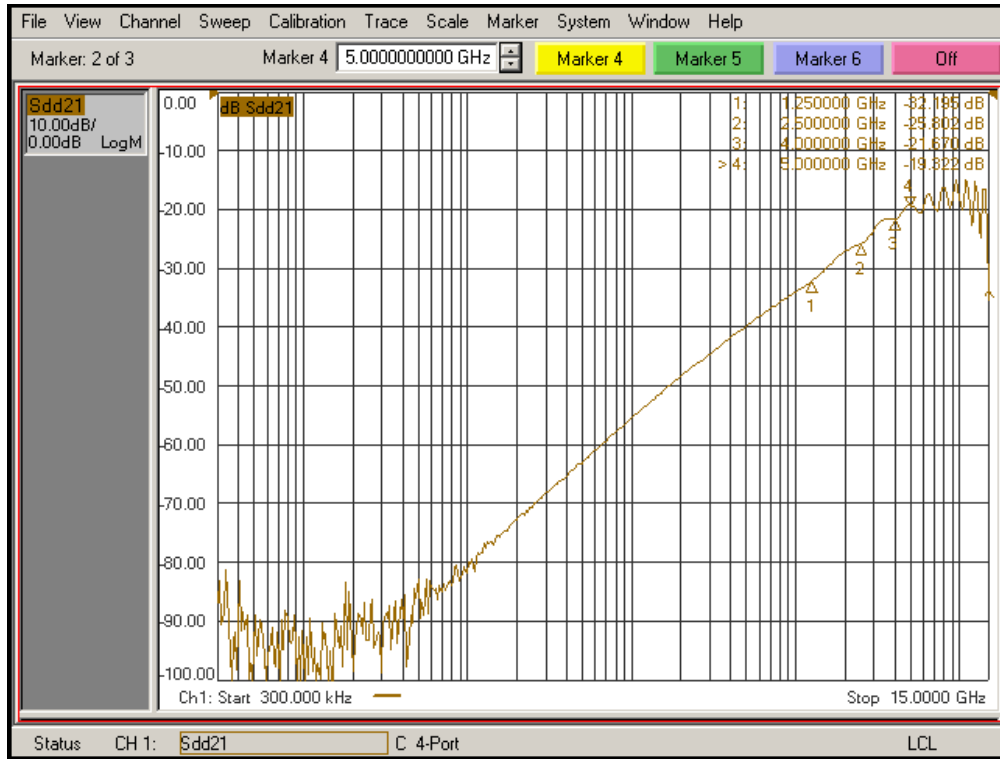
Diff. Near End Xtalk Test Circuit



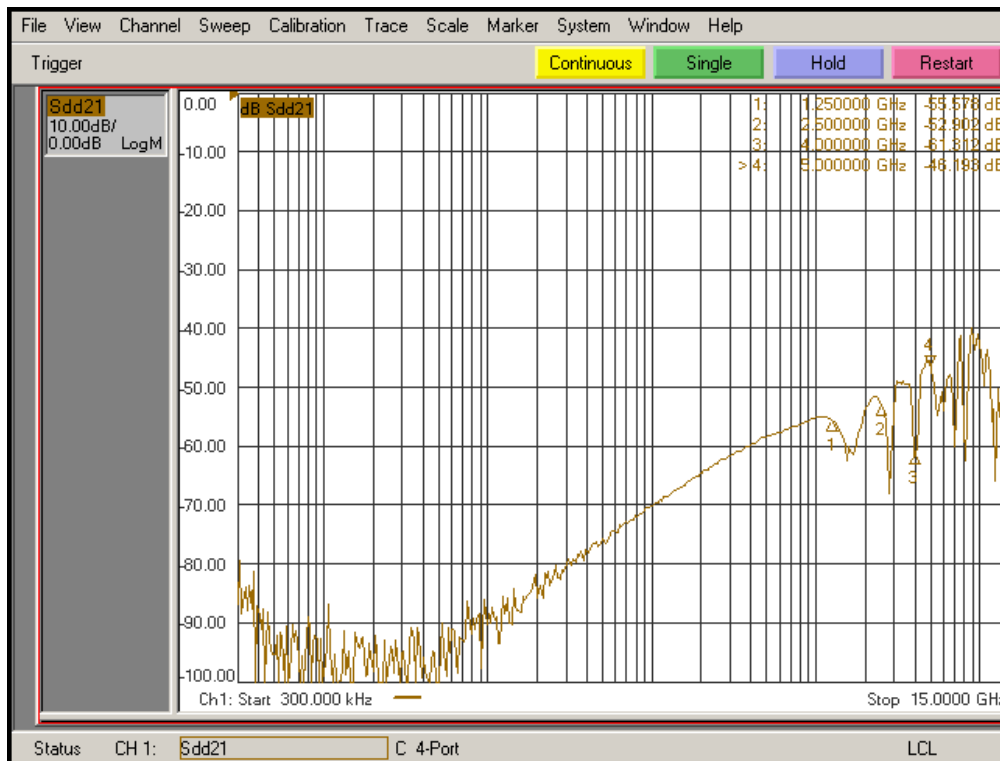
Differential Insertion Loss



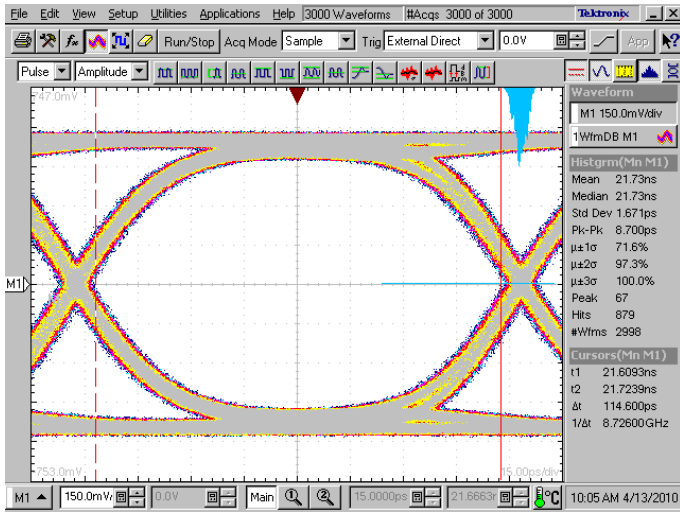
Differential Return Loss



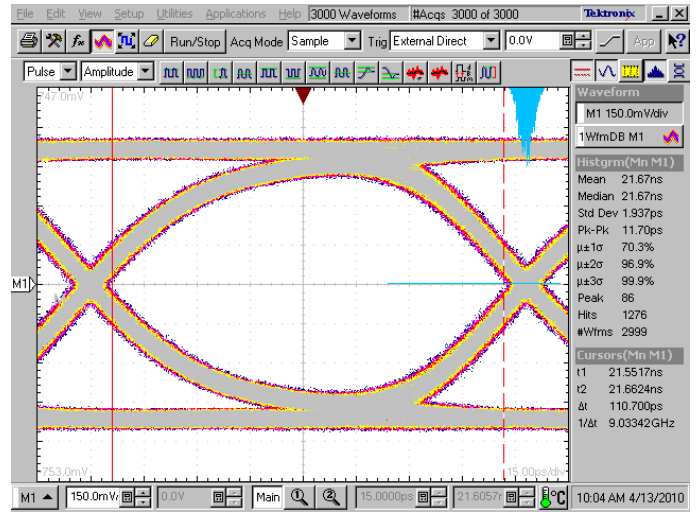
Differential Off Isolation



Differential Crosstalk

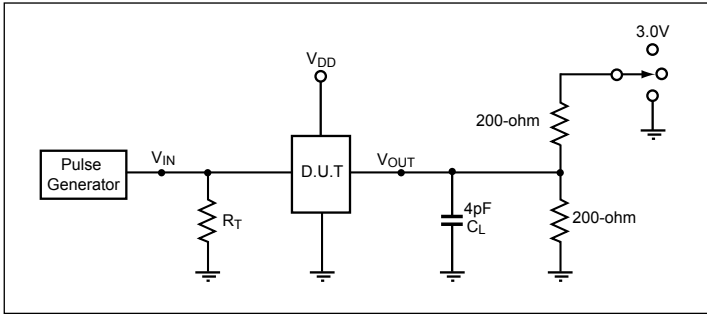


5.0 Gbps RX signal eye without PI3USB302-A



5.0 Gbps RX signal eye with PI3USB302-A

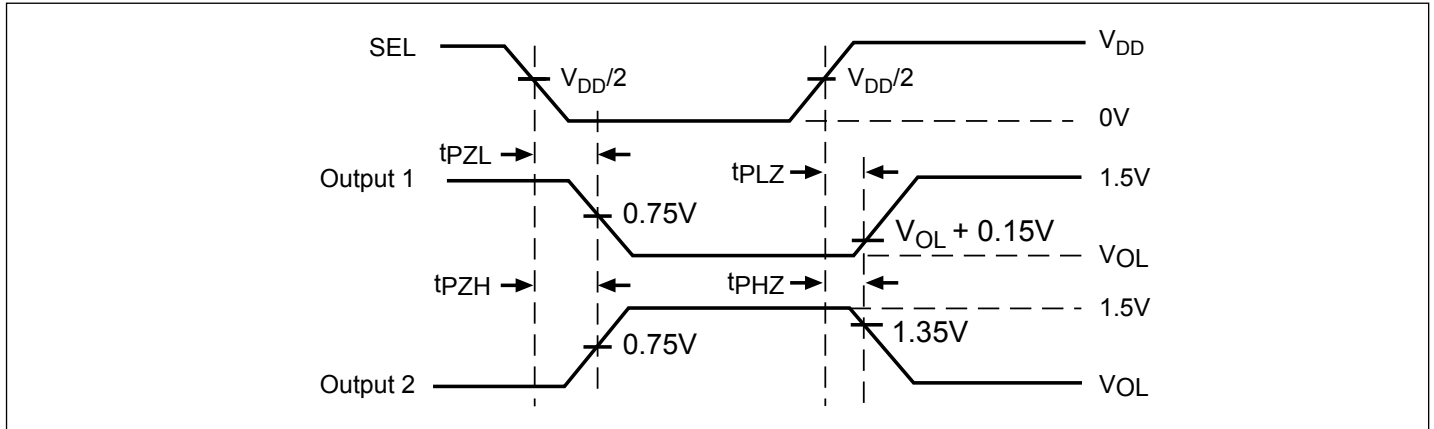
Test Circuit for Electrical Characteristics⁽¹⁻⁵⁾



Switch Positions

Test	Switch
t _{PLZ} , t _{PZL}	3.0V
t _{PHZ} , t _{PZH}	GND
Prop Delay	Open

Switching Waveforms



Voltage Waveforms Enable and Disable Times

Packaging Mechanical: 20-TQFN (ZB)

SYMBOLS	MIN.	NOM.	MAX.
A	---	---	1.00
A1	0.00	0.02	0.05
A3	0.20 REF.		
b	0.18	0.25	0.30
D	2.40	2.50	2.60
E	4.40	4.50	4.60
e	0.50 BSC		
L	0.30	0.40	0.50
K	0.20	---	---
D2	0.90	1.00	1.10
E2	2.90	3.00	3.10

NOTE:

- ALL DIMENSIONS ARE IN mm. ANGLES IN DEGREES.
- COPLANARITY APPLIES TO THE EXPOSED THERMAL PAD AS WELL AS THE TERMINALS.
- REFER JEDEC MO-241
- RECOMMENDED LAND PATTERN IS FOR REFERENCE ONLY.
- THERMAL PAD SOLDERING AREA (MESH STENCIL DESIGN IS RECOMMENDED).

14-0265

DATE: 10/20/14

DESCRIPTION: 20-Contact, Very Thin Quad Flat No-Lead (TQFN)

PACKAGE CODE: ZB (ZB20)

DOCUMENT CONTROL #: PD-2104 REVISION: B

Note:

1. For latest package info, please check: <http://www.pericom.com/products/packaging/mechanicals.php>

Ordering Information

Ordering Code	Package Code	Package Type
PI3USB302-AZBE	ZB	20-Contactm Very Think Quad Flat No-Lead (TQFN)
PI3USB302-AZBEX	ZB	20-Contactm Very Think Quad Flat No-Lead (TQFN), Tape & Reel

Notes:

- Thermal characteristics can be found on the company web site at www.pericom.com/packaging/
- E = Pb-free and Green
- Adding an X suffix = Tape/Reel

Mouser Electronics

Authorized Distributor

Click to View Pricing, Inventory, Delivery & Lifecycle Information:

[Diodes Incorporated:](#)

[PI3USB302-AZBEX](#) [PI3B16233AEX](#)