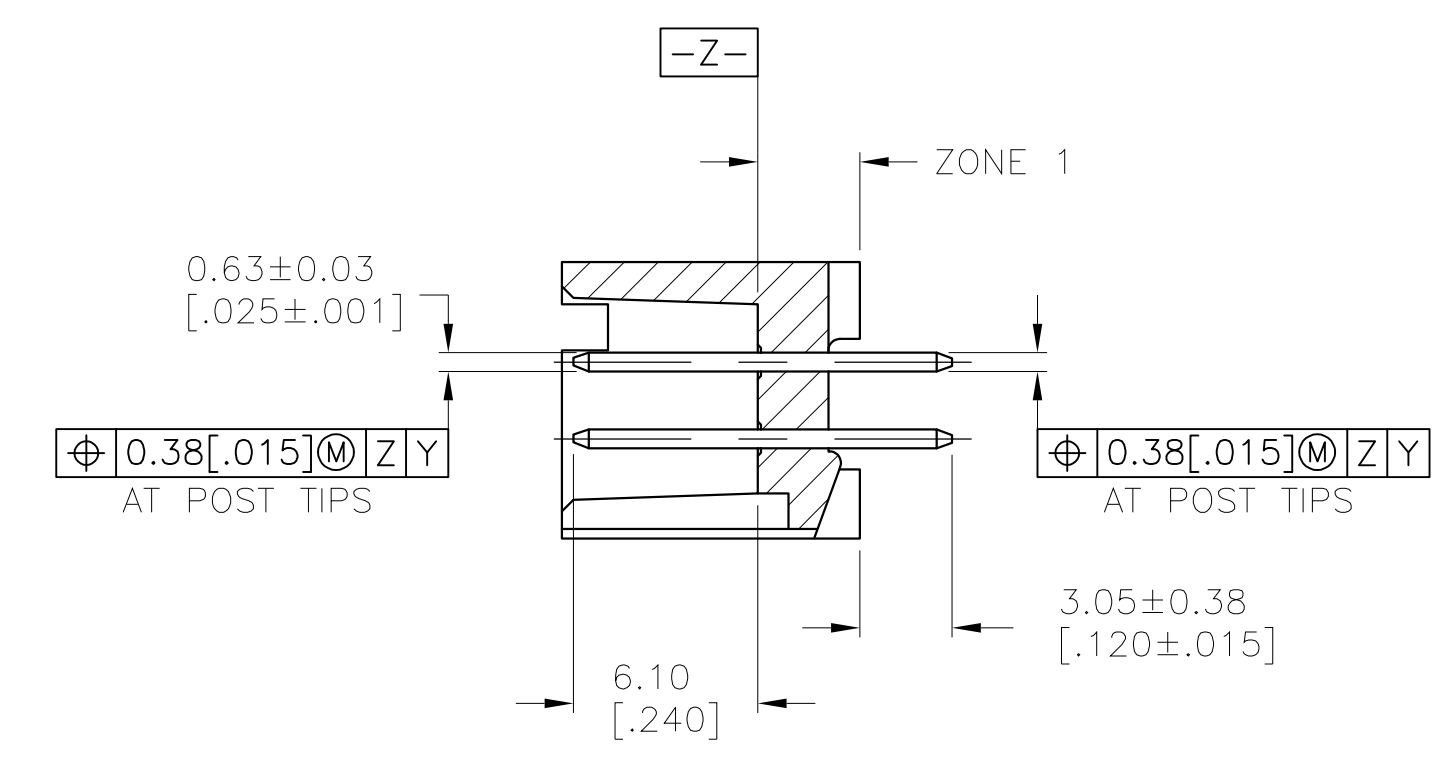


RECOMMENDED PC BOARD LAYOUT
(VIEWED FROM CONNECTOR SIDE)

- ⚠ HOUSING: POLYESTER OR NYLON, COLOR BLACK.
POSTS: BRASS.
- ⚠ POSTS: GOLD FLASH OVER PALLADIUM-NICKEL PLATE, 0.38μm[.000015] MIN TOTAL ON THE MATING SURFACES, 2.54μm[.000100] MIN TIN-LEAD PLATE ON THE SOLDER-TAILS, 1.27μm[.000050] MIN NICKEL UNDERPLATE ON THE ENTIRE POST.
-OR-
.38μm[.000015] MIN GOLD PLATE ON THE MATING SURFACES, 2.54μm[.000100] MIN TIN-LEAD PLATE ON THE SOLDER-TAILS, 1.27μm[.000050] MIN NICKEL UNDERPLATE ON THE ENTIRE POST.
- ⚠ OPTIONAL TYCO IDENTIFICATION NUMBER (DATE CODE). LOCATION APPROXIMATELY WHERE SHOWN.
- ⚠ DATUMS X & Y APPLY IN ZONE 1.
- ⚠ DATUMS V & W TO BE ESTABLISHED BY CUSTOMER.



AS SHOWN	111782-8
DESCRIPTION	PART NUMBER

THIS DRAWING IS A CONTROLLED DOCUMENT.		DIN J.GERACE 06DEC04	Tyco Electronics Corporation Harrisburg, PA 17105-3608
DIMENSIONS: mm [INCHES]		CIK S.BOLASH 06DEC04	
TOLERANCES UNLESS OTHERWISE SPECIFIED:		APVD M.WALMSLEY 06DEC04	NAME 108-40018
0 PLC ± -		PRODUCT SPEC	
1 PLC ± -		APPLICATION SPEC	SIZE CAGE CODE DRAWING NO
2 PLC ± -			RESTRICTED TO
3 PLC ± 0.13[.005]			
4 PLC ± -			
ANGLES ± -		WEIGHT	
MATERIAL		FINISH	
		SCALE 4:1	SHEET 1 OF 1
		CUSTOMER DRAWING	REV C

Mouser Electronics

Authorized Distributor

Click to View Pricing, Inventory, Delivery & Lifecycle Information:

[TE Connectivity:](#)

[111782-8](#)