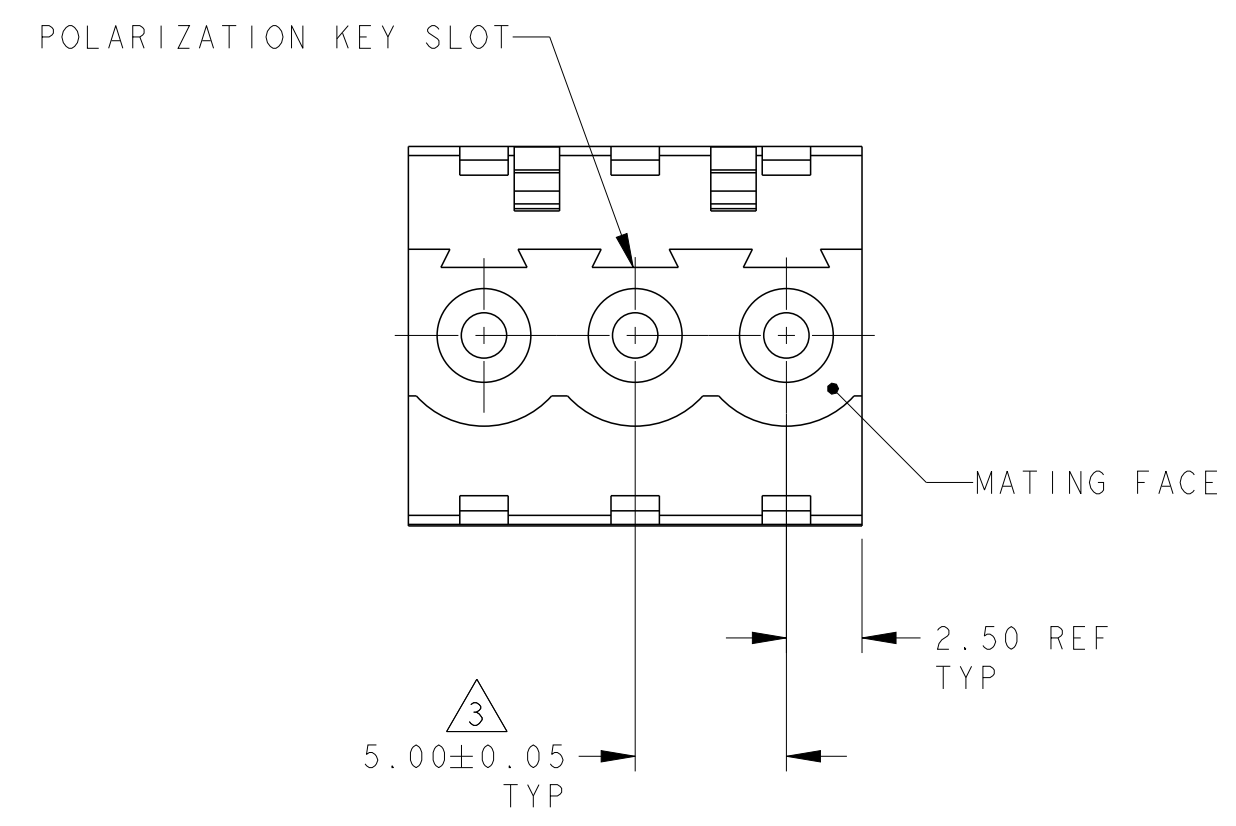
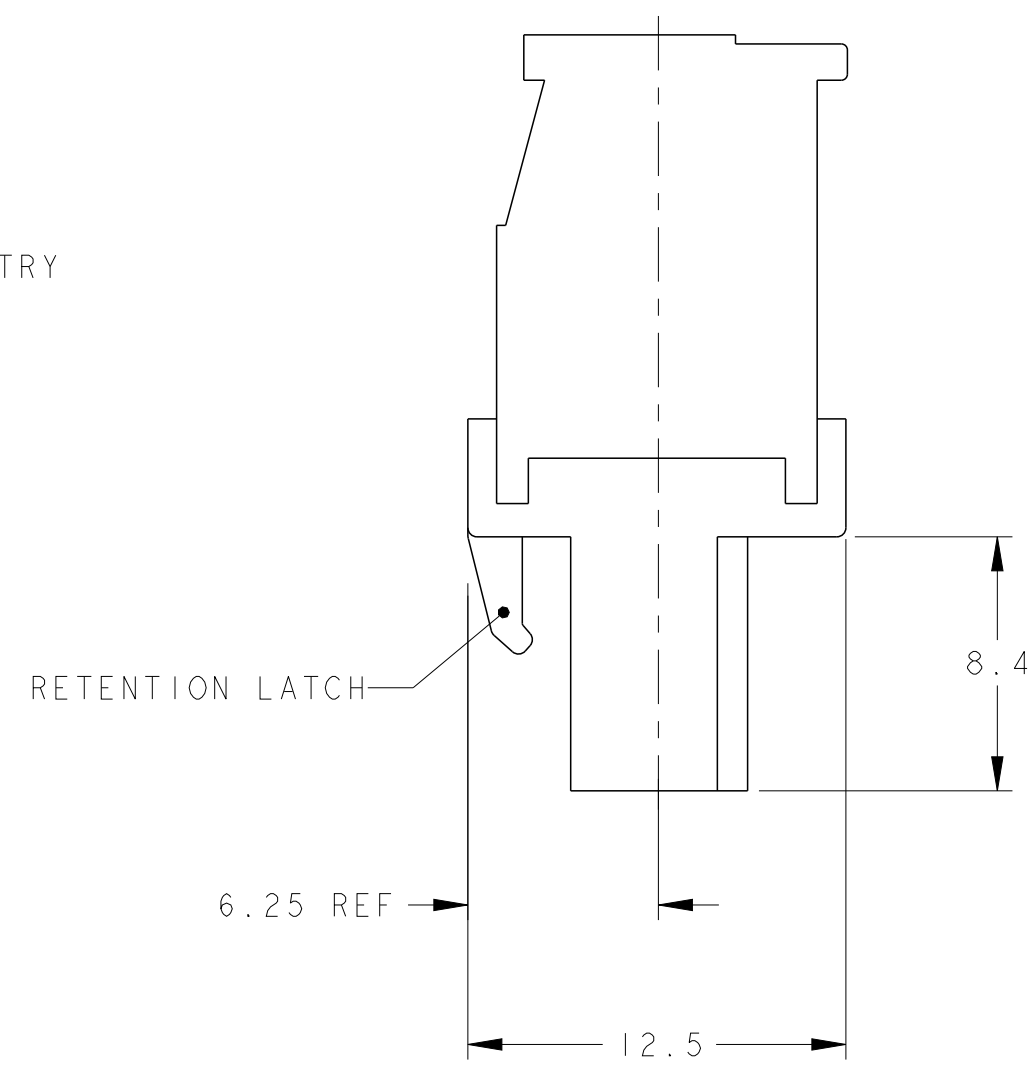
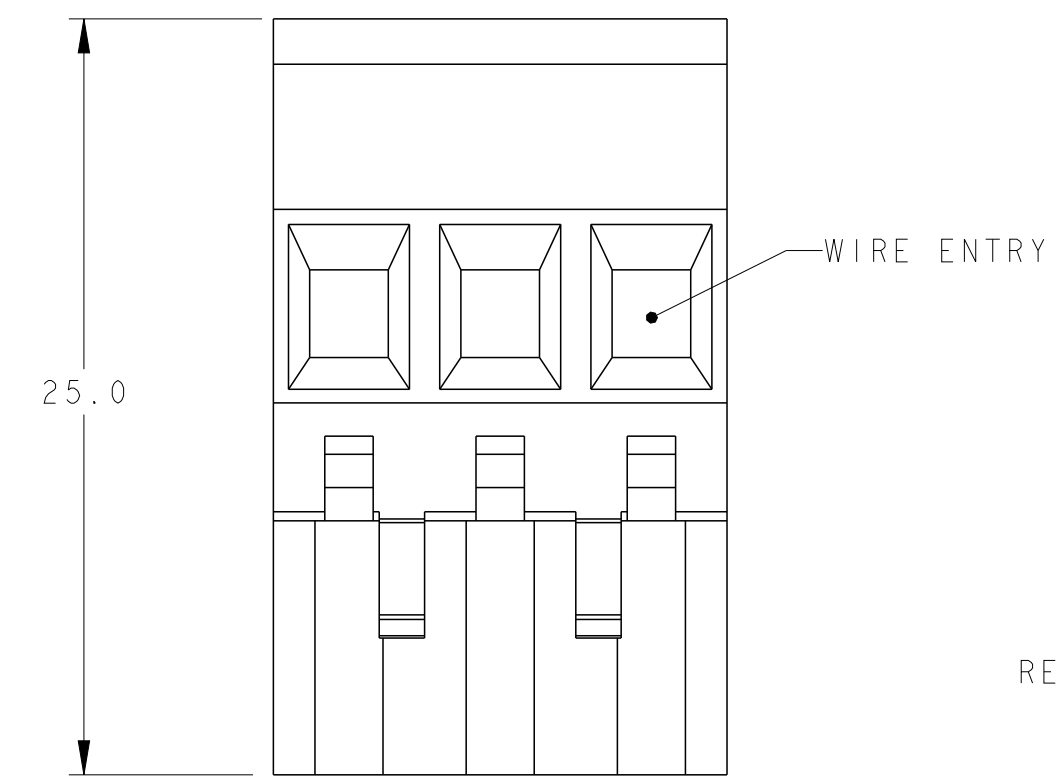
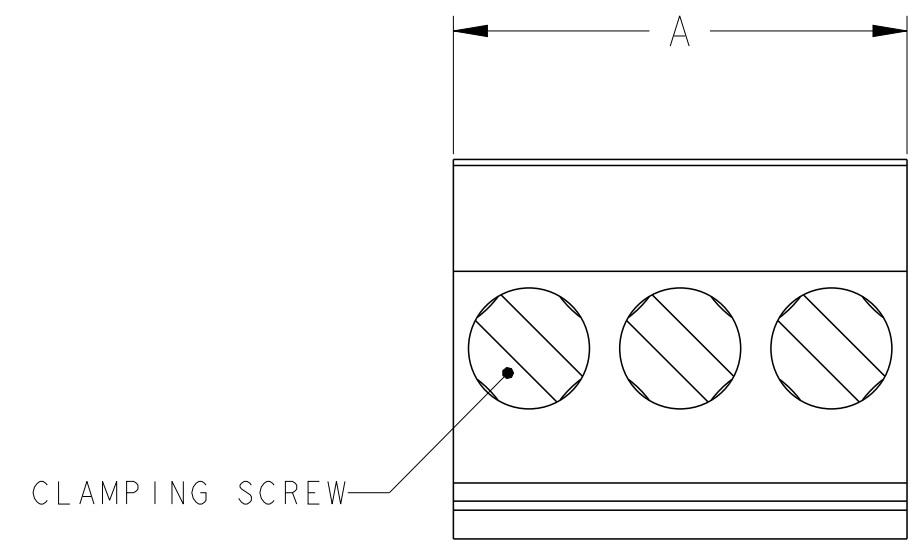


THIS DRAWING IS UNPUBLISHED. RELEASED FOR PUBLICATION 20
 © COPYRIGHT 20 BY - ALL RIGHTS RESERVED.

LOC	DIST	REVISIONS					
FT	0	P	LTR	DESCRIPTION	DATE	DWN	APVD
		E3		REVISED PER ECO-14-015436	13OCT2014	NK	MM

- 1 MATERIALS AND FINISH
 HOUSING: PA 6-6, UL 94-V0, COLOR: GREEN.
 CLAMP: BRASS, NICKEL PLATED.
 CONTACT SPRING : PHOSPHOR BRONZE, TIN PLATED.
 CLAMPING SCREW: M3, BRASS, NICKEL PLATED.
- 2 WIRE SIZE RANGE: 12 - 30 AWG.
- 3 NOT CUMULATIVE TOLERANCE.
- 4 INK MARKING, COLOR: BLACK.
- 5 WIRE ENTRY CLOSED
- 6 PRELIMINARY - NOT RELEASED FOR PRODUCTION
- 7 HOUSING: PA 6-6, UL 94-V0, COLOR:YELLOW



FINISH	MARKING	A	NO OF POSN	PART NUMBER
TIN PLATED	-	15.0	3	3-284046-6
TIN PLATED	SEE SHEET 3	70.0	14	3-284046-5
TIN PLATED	SEE SHEET 3	50.0	10	3-284046-4
TIN PLATED	SEE SHEET 3	90.0	18	3-284046-3
TIN PLATED	SEE SHEET 3	80.0	16	3-284046-2
TIN PLATED	SEE SHEET 2	15.0	3	3-284046-1
TIN PLATED	SEE SHEET 2	10.0	2	3-284046-0
0.00076[.000030] SELECT GOLD	SEE SHEET 2	25.0	5	2-284046-9
TIN PLATED	-	25.0	5	2-284046-8
TIN PLATED	SEE SHEET 2	65.0	13	2-284046-7
TIN PLATED	SEE SHEET 2	40.0	8	2-284046-6
TIN PLATED	-	125.0	25	2-284046-5
TIN PLATED	-	120.0	24	2-284046-4
TIN PLATED	-	115.0	23	2-284046-3
TIN PLATED	-	110.0	22	2-284046-2
TIN PLATED	-	150.0	21	2-284046-1
TIN PLATED	-	100.0	20	2-284046-0
TIN PLATED	-	95.0	19	1-284046-9
TIN PLATED	-	90.0	18	1-284046-8
TIN PLATED	-	85.0	17	1-284046-7
TIN PLATED	-	80.0	16	1-284046-6
TIN PLATED	-	75.0	15	1-284046-5
TIN PLATED	-	70.0	14	1-284046-4
TIN PLATED	-	65.0	13	1-284046-3
TIN PLATED	-	60.0	12	1-284046-2
TIN PLATED	-	55.0	11	1-284046-1
TIN PLATED	-	50.0	10	1-284046-0
TIN PLATED	-	45.0	9	284046-9
TIN PLATED	-	40.0	8	284046-8
TIN PLATED	-	35.0	7	284046-7
TIN PLATED	-	30.0	6	284046-6
TIN PLATED	-	25.0	5	284046-5
TIN PLATED	-	20.0	4	284046-4
TIN PLATED	-	15.0	3	284046-3
TIN PLATED	-	10.0	2	284046-2

THIS DRAWING IS A CONTROLLED DOCUMENT.

DWN S. WELDON 05FEB2003
 CHK C. RICHARD 05FEB2003
 APVD C. RICHARD 05FEB2003

STE TE Connectivity

NAME: TERMINAL BLOCK, VERTICAL PLUG, STACKING, RIGHT HAND, 5.00mm PITCH

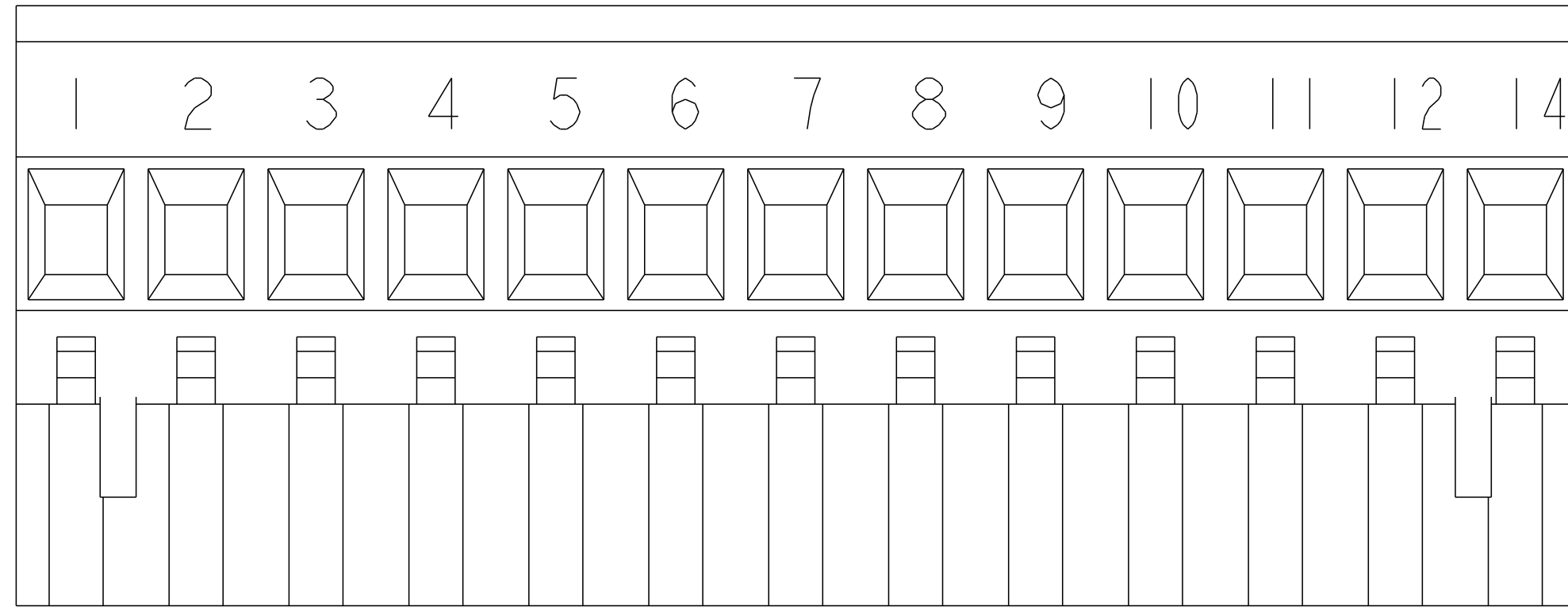
SIZE: A2 CAGE CODE: 0779 DRAWING NO: C-284046 RESTRICTED TO: -

MATERIAL: TOLERANCES UNLESS OTHERWISE SPECIFIED: 0 PLC ±, 1 PLC ±0.30, 2 PLC ±0.25, 3 PLC ±, 4 PLC ±, ANGLES ±2° FINISH:

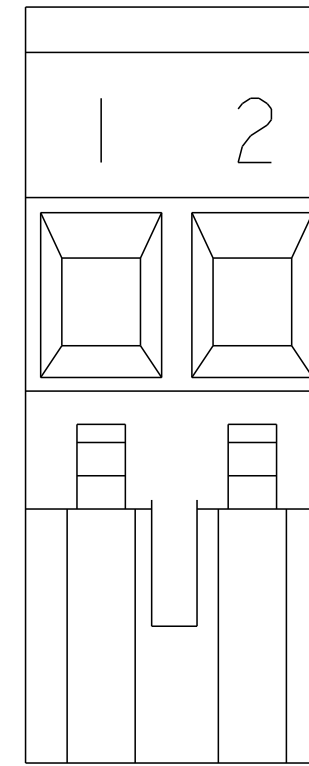
CUSTOMER DRAWING SCALE: 4:1 SHEET 1 OF 3 REV E3

THIS DRAWING IS UNPUBLISHED. RELEASED FOR PUBLICATION 20
 © COPYRIGHT 20 BY - ALL RIGHTS RESERVED.

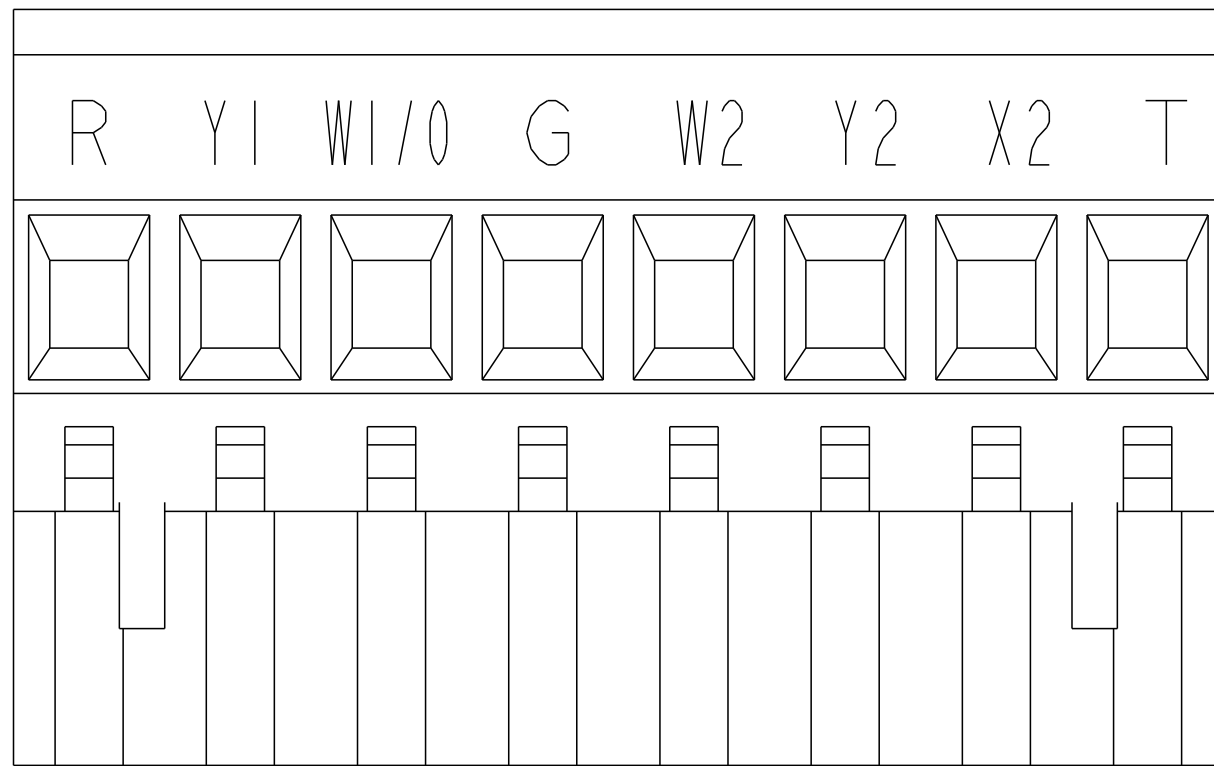
LOC	DIST	REVISIONS					
FT	0	P	LTR	DESCRIPTION	DATE	DWN	APVD
		-		SEE SHEET 1	-	-	-



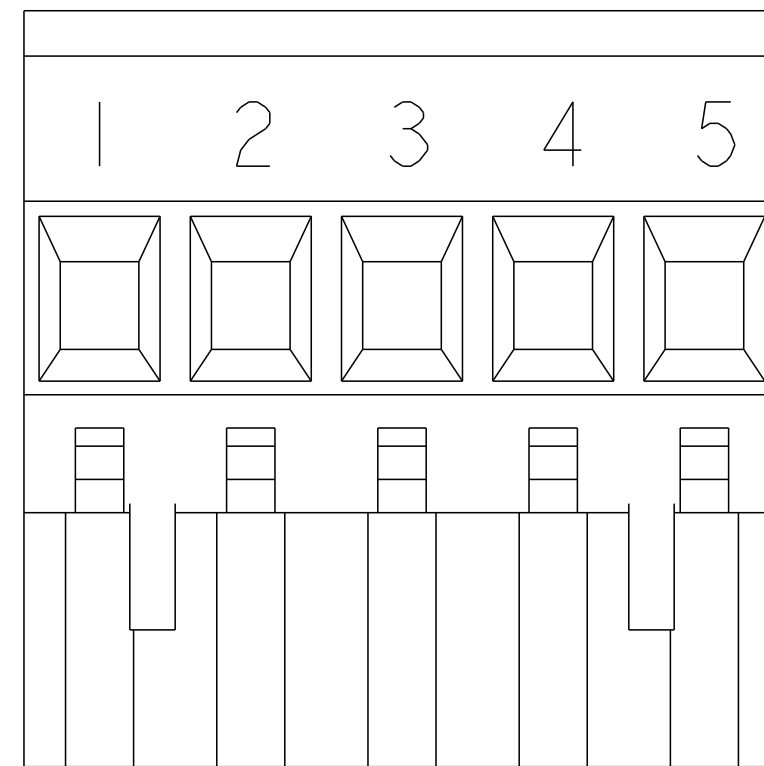
2-284046-7 AS SHOWN



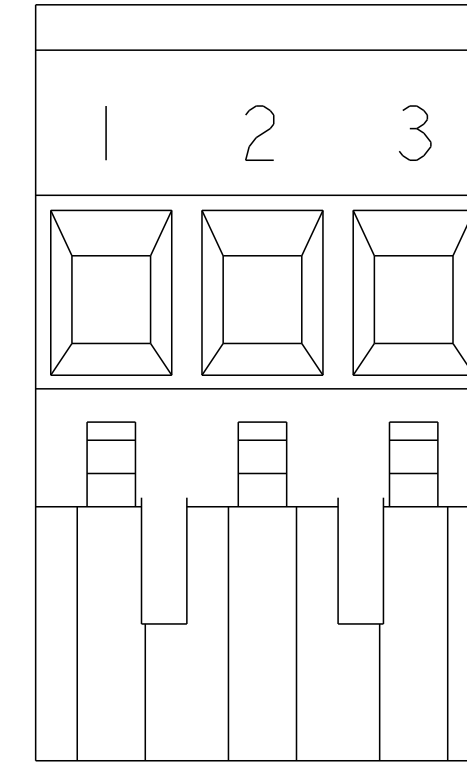
3-284046-0 AS SHOWN




2-284046-6 AS SHOWN



2-284046-9 AS SHOWN

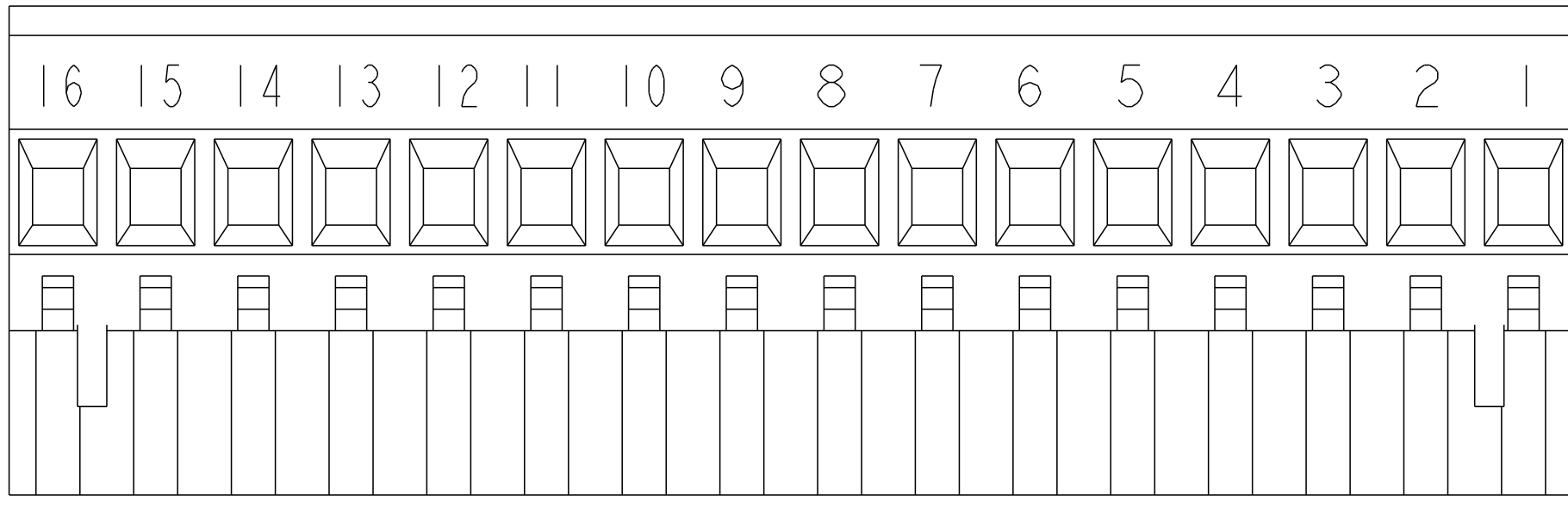


3-284046-1 AS SHOWN

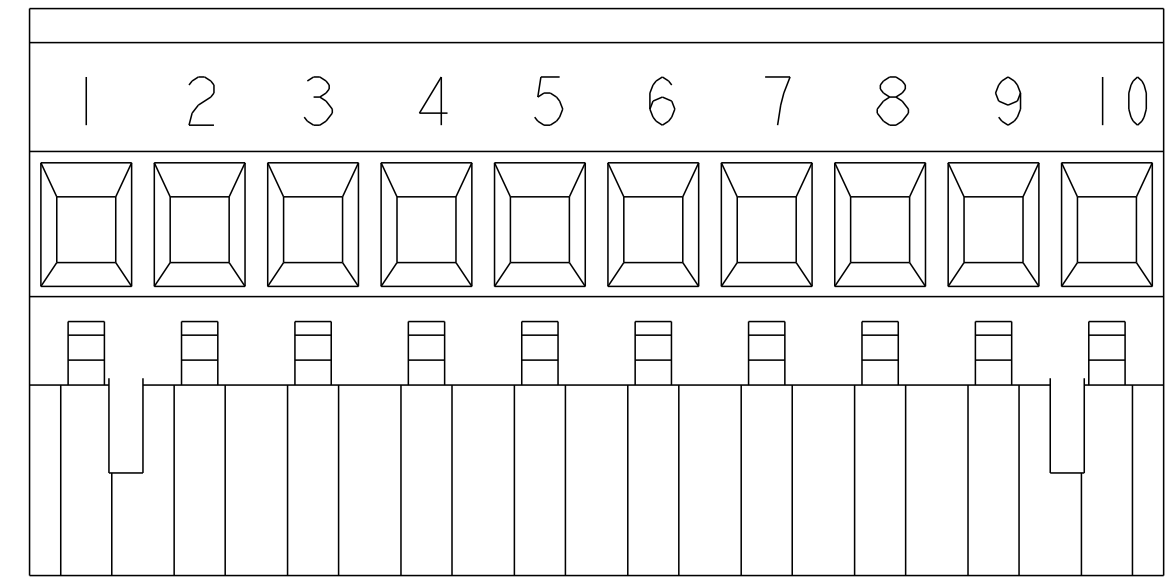
THIS DRAWING IS A CONTROLLED DOCUMENT.		DWN S. WELDON 05FEB2003	 TE Connectivity	
DIMENSIONS: mm		CHK C. RICHARD 05FEB2003		
TOLERANCES UNLESS OTHERWISE SPECIFIED:		APVD C. RICHARD 05FEB2003	NAME TERMINAL BLOCK, VERTICAL PLUG, STACKING, RIGHT HAND, 5.00mm PITCH	
0 PLC ± 1 PLC ±0.30 2 PLC ±0.25 3 PLC ± 4 PLC ± ANGLES ±2° FINISH		PRODUCT SPEC -	SIZE A20779	CAGE CODE C-284046
MATERIAL		APPLICATION SPEC -	DRAWING NO C-284046	RESTRICTED TO -
		WEIGHT -	SCALE 4:1	SHEET 2 OF 3
		CUSTOMER DRAWING	REV E3	

THIS DRAWING IS UNPUBLISHED. RELEASED FOR PUBLICATION 20
 © COPYRIGHT 20 BY - ALL RIGHTS RESERVED.

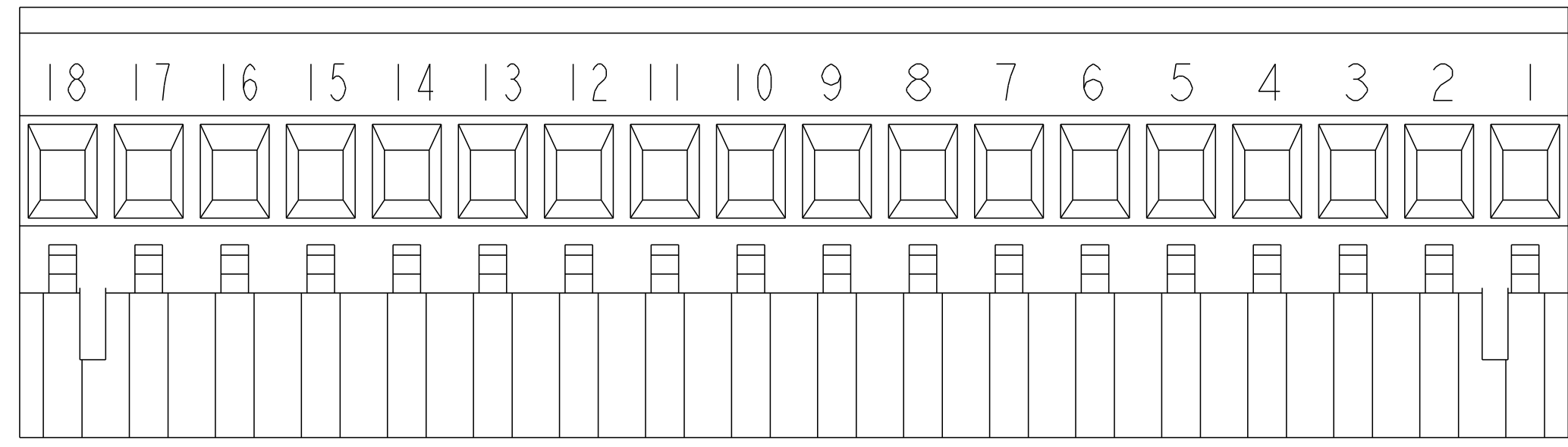
LOC	DIST	REVISIONS			
P	LTR	DESCRIPTION	DATE	DWN	APVD
FT	0	-	SEE SHEET 1	-	-



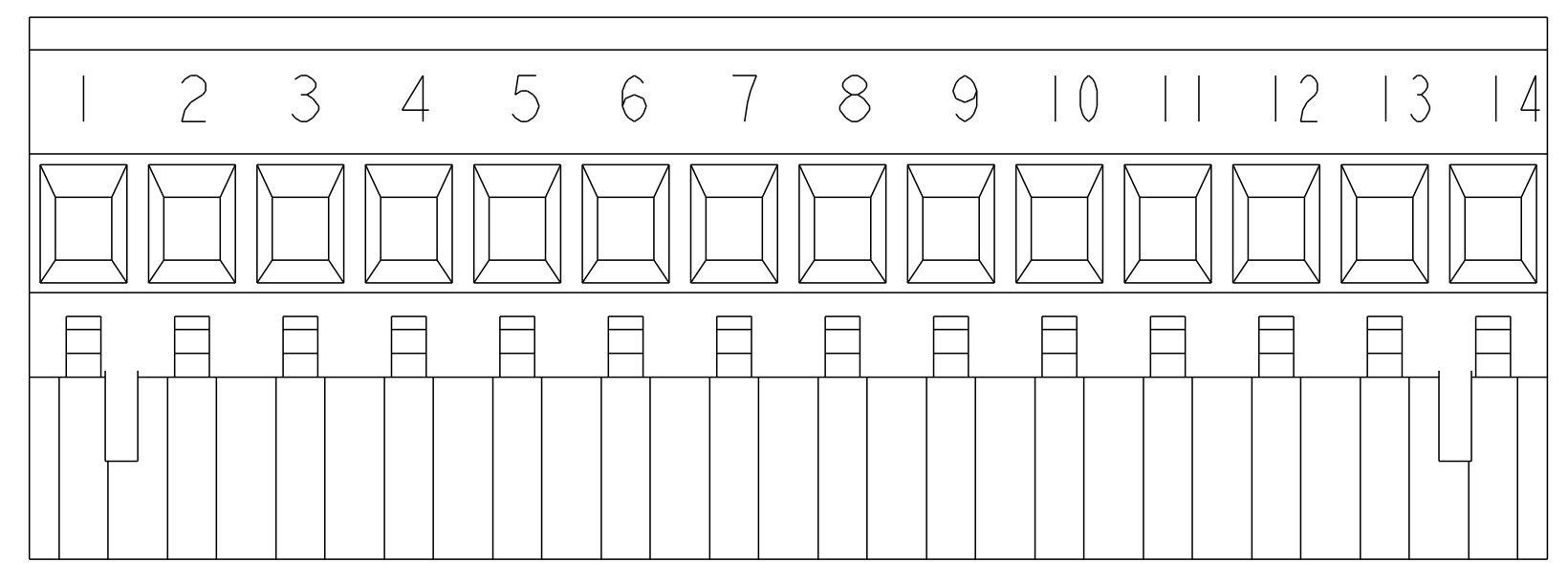
3-284046-2 AS SHOWN $\triangle 5$



3-284046-4 AS SHOWN



3-284046-3 AS SHOWN $\triangle 5$



3-284046-5 AS SHOWN

THIS DRAWING IS A CONTROLLED DOCUMENT.		DWN S. WELDON 05FEB2003	TE Connectivity	
DIMENSIONS: mm		CHK C. RICHARD 05FEB2003		
TOLERANCES UNLESS OTHERWISE SPECIFIED:		APVD C. RICHARD 05FEB2003	NAME TERMINAL BLOCK, VERTICAL PLUG, STACKING, RIGHT HAND, 5.00mm PITCH	
0 PLC ± 1 PLC ±0.30 2 PLC ±0.25 3 PLC ± 4 PLC ± ANGLES ±2° FINISH		PRODUCT SPEC -	SIZE A200779	DRAWING NO C-284046
MATERIAL		APPLICATION SPEC -	RESTRICTED TO -	SCALE 4:1
		WEIGHT -	SHEET 3 OF 3	
		CUSTOMER DRAWING	REV E3	

Mouser Electronics

Authorized Distributor

Click to View Pricing, Inventory, Delivery & Lifecycle Information:

[TE Connectivity:](#)

[284046-2](#)