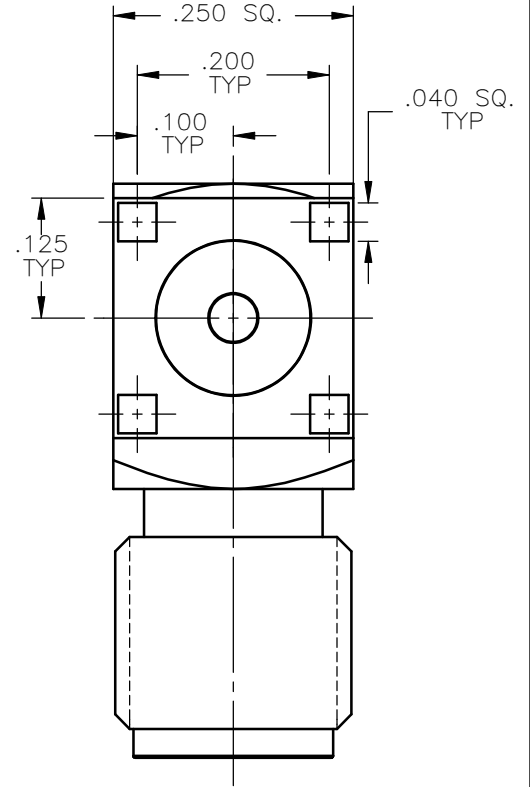
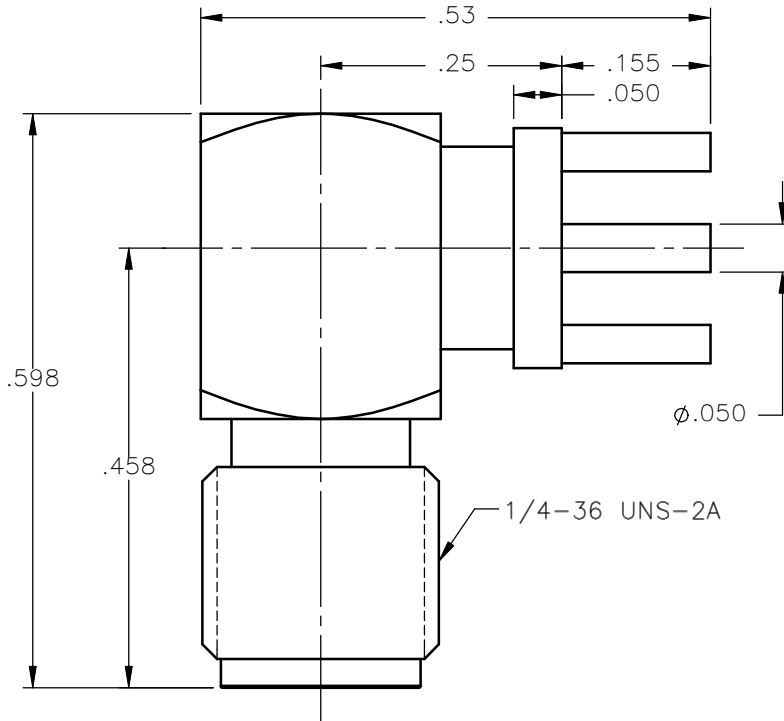


REVISIONS			
REV.	DESCRIPTION	DATE	APPROVED
A	INITIAL RELEASE	08/16/10	M.J.



NOTES:

MATERIALS:

1. BODIES = STAINLESS STEEL PER ASTM A582, ALLOY 303, CONDITION "A".
2. INSULATORS = VIRGIN WHITE TEFLON PER ASTM D1710, GRADE 1, TYPE I, CLASS "B".
3. FRONT CONTACT = BERYLLIUM COPPER PER ASTM B196, ALLOY C17300, TEMPER TD04.
4. ALL OTHER METAL PARTS = BRASS PER ASTM B16, ALLOY C36000, TEMPER H02.

FINISHES:

1. BODIES = GOLD PLATE PER MIL-G-45204, TYPE II, CLASS 0, GRADE C, OVER .000050 TO .00010 STRESS FREE NICKEL PER QQ-N-290.
2. CONTACTS = GOLD PLATE PER MIL-G-45204, TYPE II, CLASS 1, GRADE C, OVER .00010 TO .00020 STRESS FREE SULFAMATE NICKEL PER QQ-N-290.
3. CAP = GOLD PLATE PER MIL-G-45204, TYPE II, CLASS 0, GRADE C, OVER .00010 TO .00020 COPPER STRIKE PER MIL-C-14550.

UNLESS OTHERWISE SPECIFIED DIMENSIONS ARE IN INCHES TOLERANCES ON	DWN:	DATE	Property of Radiall This document cannot be reproduced or communicated to a third party without prior written permission of RADIALL.				
	M.J.	08/16/10					
DECIMAL	ANGLE	CHKD:	DATE	SMA RIGHT ANGLE JACK P.C.B. MOUNT RECEPTACLE			
		D.N.	08/16/10				
		APVD:	DATE				
		J.M.	08/16/10	SIZE	FSCM NO.	DWG. NO.	REV
REFERENCE:	MATERIALS & FINISHES:		A	19505	9647-1513-000	A	
ORIGINATED: M.J. DATE: 08/16/10	SEE NOTES		SCALE	5:1	THIRD ANGLE PROJECTION	SHEET 1 OF 1	

9647-1513-000

Mouser Electronics

Authorized Distributor

Click to View Pricing, Inventory, Delivery & Lifecycle Information:

Radial:

[9647-1513-000](#)