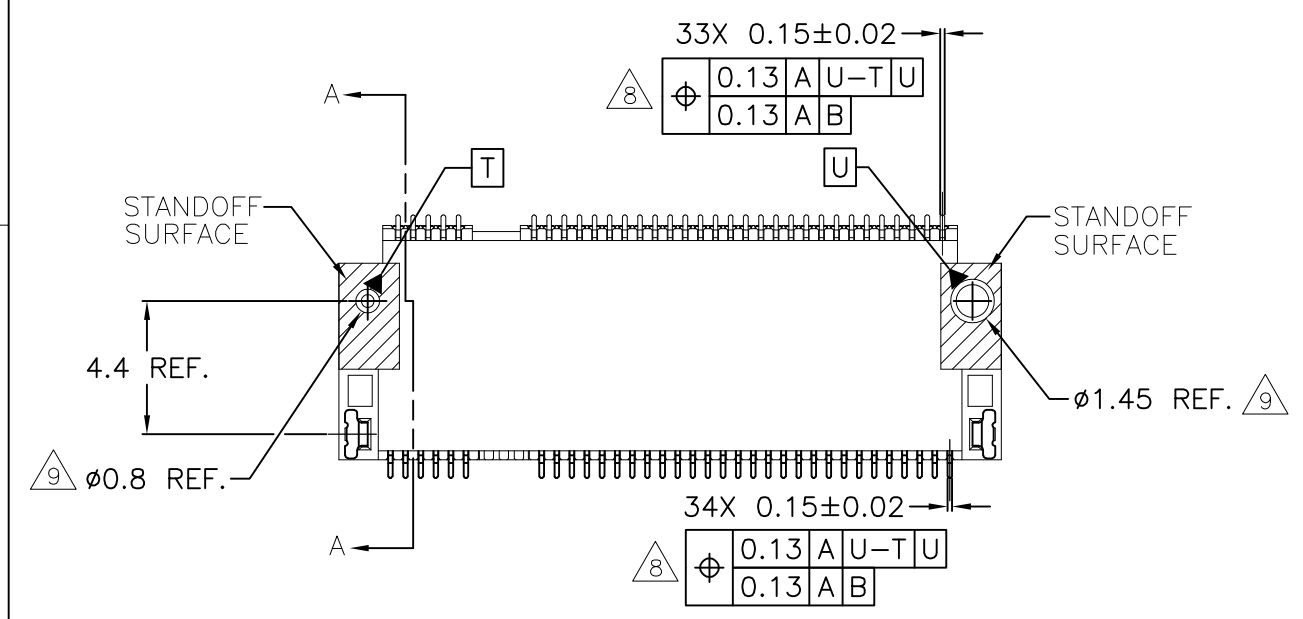
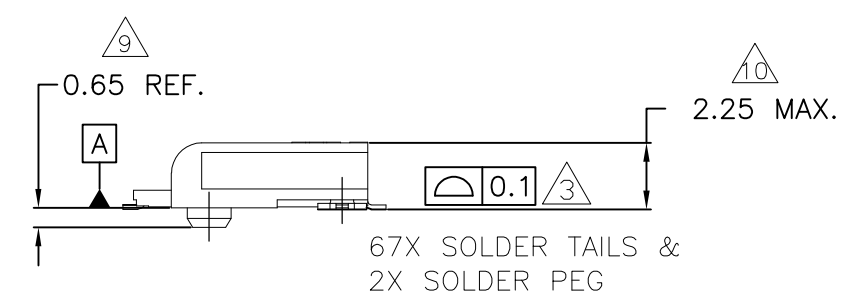
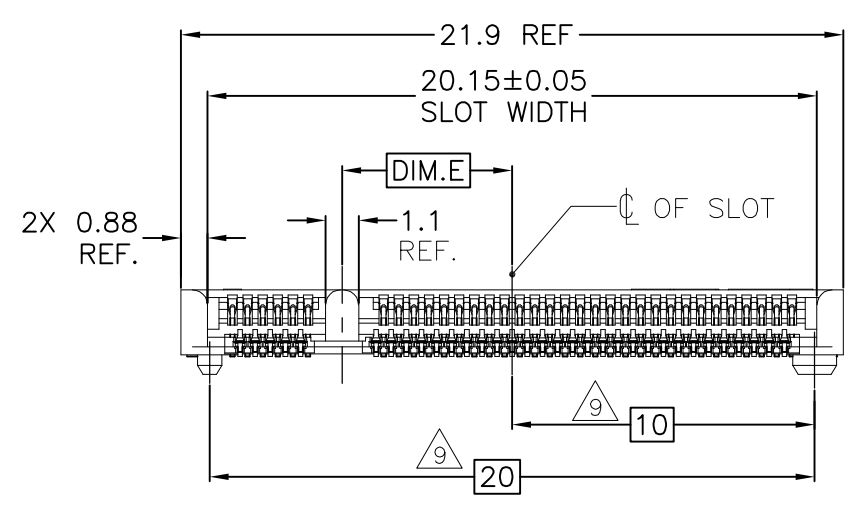
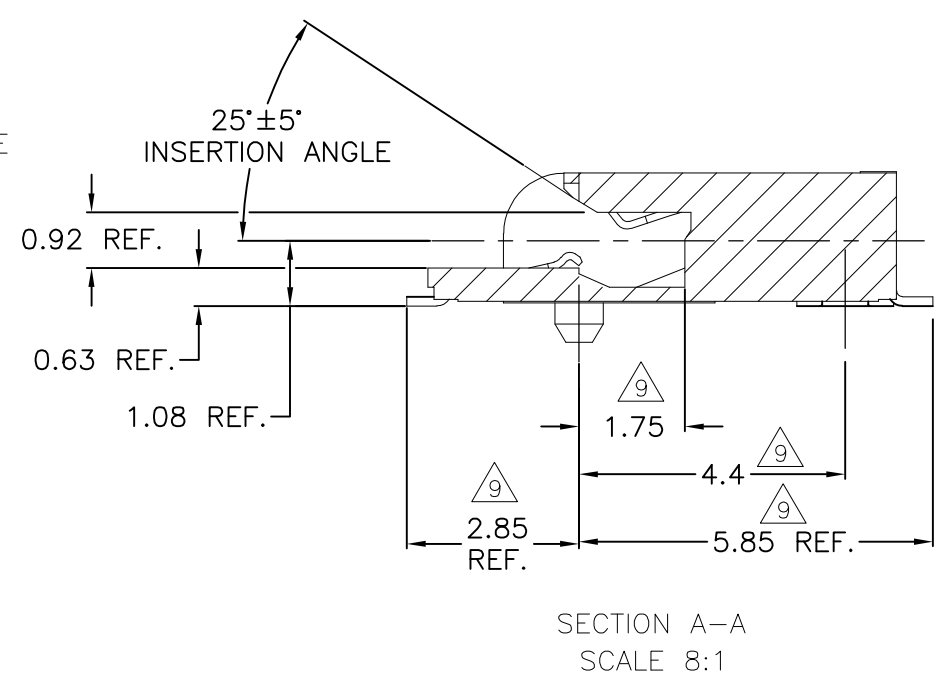
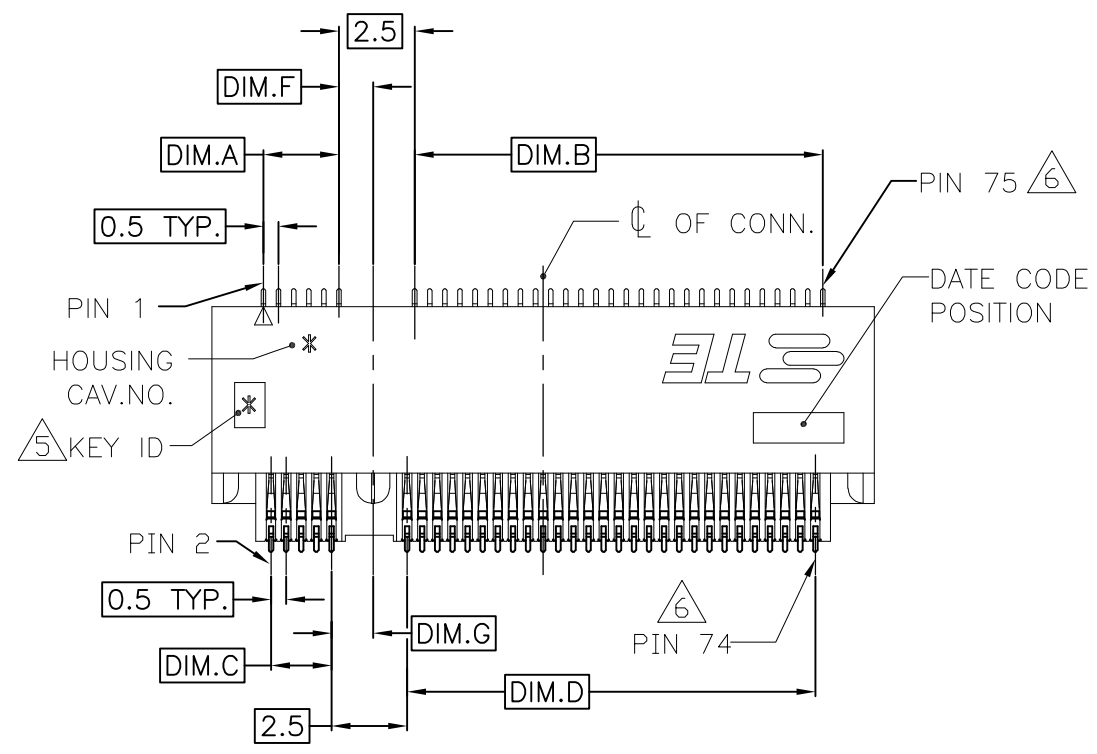


THIS DRAWING IS UNPUBLISHED. RELEASED FOR PUBLICATION  
 © COPYRIGHT - By - ALL RIGHTS RESERVED.

LOC	DIST	REVISIONS					
		P	LTR	DESCRIPTION	DATE	DWN	APVD
-	-		A2	REVISED PER PER ECR-14-012058	11AUG2014	S.W	W.H



- NOTES:
- MATERIAL:
    - HOUSING : HIGH TEMPERATURE THERMOPLASTIC UL94V-0, COLOR: BLACK.
    - CONTACT: COPPER ALLOY.
    - SOLDER PEG: STAINLESS STEEL.
  - FINISH:
    - CONTACT: UNDERCOAT NICKEL 50u" min. ALL OVER; MATING AREA: GOLD PLATING, THE THICKNESS SEE TABLE LIST; SOLDERABLE AREA: GOLDFLASH.
    - SOLDER PEG: UNDERCOAT: NICKEL 50u" min. ALL OVER SOLDERABLE AREA: MATTE TIN 100u" min.
  - COPLANARITY: 0.10mm MAX.(BEFORE SOLDERING).
  - ACCEPTED MODULE BASED ON INDUSTRY STD MO-XXX (TBD).
  - KEY ID, "\*" IS A CAPITAL LETTER PER THE PART NO.
  - THE PIN NO. DEFINITIONS ARE ACCORDING TO PCB FOOTPRINT, THE ACTUAL PIN QUANTITY IS ONLY 67 POS. FOR KEY TAKING OUT 8 POS.
  - THE PRODUCT IS RoHS COMPLIANT, BR 900PPM MAX., CL 900PPM MAX. BR+CL 1500 PPM MAX.
  - FOR BOSS TYPE, THE CONTACT TP'S DATUM IS U FOR BOLESS TYPE, THE CONTACT TP'S DATUM IS B.
  - IGNORE THE DIM. FOR BOSSLSS TYPE.
  - LOCAL DIM. NOT INCLUDING THE WARPAGE IMPACT.

THIS DRAWING IS A CONTROLLED DOCUMENT.		DWN	SIMON WU	14FEB2012	<b>STE</b> TE Connectivity		
DIMENSIONS: mm		CHK	SIMON LI	14FEB2012			
TOLERANCES UNLESS OTHERWISE SPECIFIED:		APVD	COREL WANG	14FEB2012	NAME		
0 PLC	± 0.30	PRODUCT SPEC		M.2(NGFF) MINI CARD MOUNTING TYPE			
1 PLC	± 0.30	APPLICATION SPEC		0.50mm PITCH 67 POS. 2.25mm HEIGHT			
2 PLC	± 0.20	114-115006		FOR SINGLE SIDED MODULE			
3 PLC	± 0.10	WEIGHT	0.38 G	SIZE	A3	CAGE CODE	00779
4 PLC	± -	CUSTOMER DRAWING		DRAWING NO	C-2199125		RESTRICTED TO
ANGLES	± 3'			SCALE	4:1	SHEET	1 OF 4
FINISH	-			REV	A2		

THIS DRAWING IS UNPUBLISHED. RELEASED FOR PUBLICATION  
 © COPYRIGHT - By - ALL RIGHTS RESERVED.

LOC	DIST	REVISIONS					
		P	LTR	DESCRIPTION	DATE	DWN	APVD
-	-	-	-	SEE SHEET 1	-	-	-

NOTE: (APPLIED ONLY ON THIS SHEET)  
 1. MINUS DATA OF KEY E MEANS THE CENTERLINE OF KEY IS ON THE RIGHT SIDE IN PAGE 1.

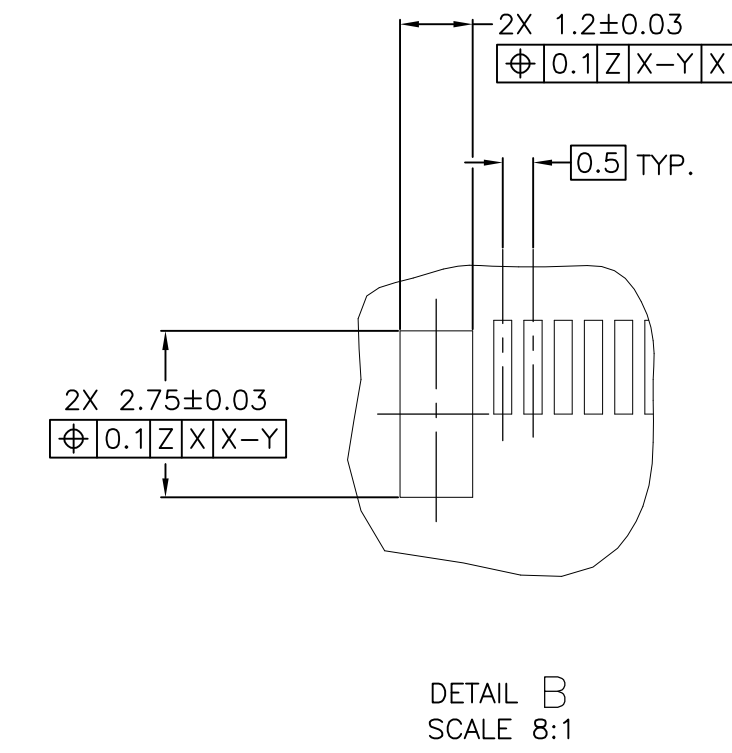
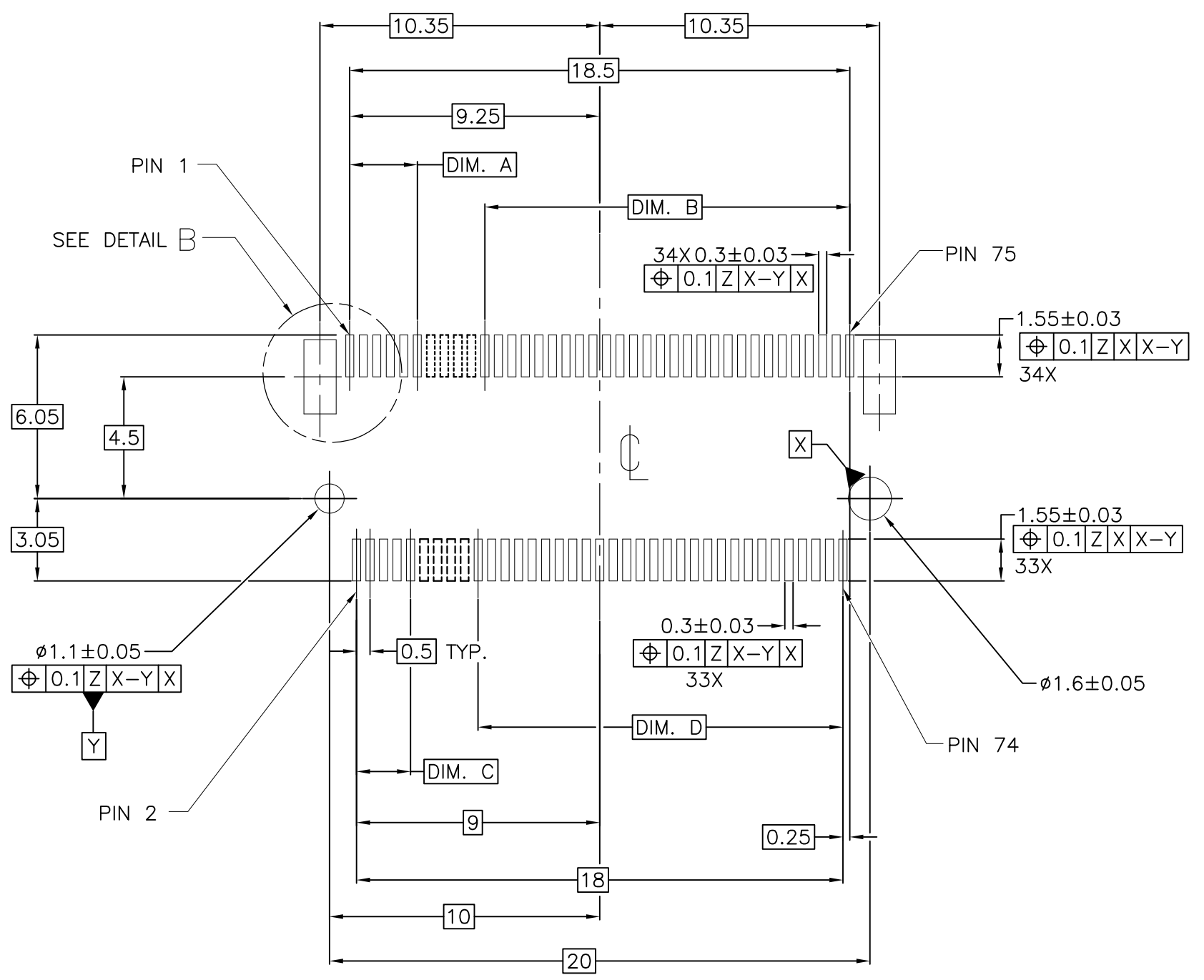
TOOLING STATUS	KEY ID.	PRODUCT SPEC.	BOSS TYPE	GOLD SPEC.	DIM. G	DIM. F	DIM. E	DIM. D	DIM. C	DIM. B	DIM. A	PART NO.					
AVAILABLE	M	108-115042	WITH BOSS	10u" MIN.	1.125	1.375	-6.125	1.5	14.0	2.0	14.0	1-2199125-9					
	E				1.375	1.125	2.625	10.5	5.0	10.5	5.5	1-2199125-8					
	B				1.375	1.125	5.625	13.5	2.0	13.5	2.5	1-2199125-7					
	A				1.375	1.125	6.625	14.5	1.0	14.5	1.5	1-2199125-6					
AVAILABLE	M	108-115042	WITH BOSS	30u" MIN.	1.125	1.375	-6.125	1.5	14.0	2.0	14.0	1-2199125-5					
		108-115049		15u" MIN.								1-2199125-4					
				GOLD FLASH								1-2199125-3					
NOT AVAILABLE	E	108-115042	BOSSLESS	30u" MIN.	1.375	1.125	2.625	10.5	5.0	10.5	5.5	1-2199125-2					
		108-115049		15u" MIN.								1-2199125-1					
				GOLD FLASH								1-2199125-0					
AVAILABLE	A	108-115042	WITH BOSS	30u" MIN.	1.375	1.125	6.625	14.5	1.0	14.5	1.5	2199125-9					
		108-115049		15u" MIN.								2199125-8					
				GOLD FLASH								2199125-7					
	E	108-115042		30u" MIN.								2.625	10.5	5.0	10.5	5.5	2199125-6
				B								5.625	13.5	2.0	13.5	2.5	2199125-5
				E								2.625	10.5	5.0	10.5	5.5	2199125-4
	B	108-115042		15u" MIN.								5.625	13.5	2.0	13.5	2.5	2199125-3
				E								2.625	10.5	5.0	10.5	5.5	2199125-2
	B	108-115049		GOLD FLASH								5.625	13.5	2.0	13.5	2.5	2199125-1



THIS DRAWING IS A CONTROLLED DOCUMENT.		DWN SIMON WU 14FEB2012	TE Connectivity	
DIMENSIONS: mm		CHK SIMON LI 14FEB2012		
TOLERANCES UNLESS OTHERWISE SPECIFIED:		APVD COREL WANG 14FEB2012	NAME M.2(NGFF) MINI CARD MOUNTING TYPE 0.50mm PITCH 67 POS. 2.25mm HEIGHT FOR SINGLE SIDED MODULE	
0 PLC ± 0.30 1 PLC ± 0.30 2 PLC ± 0.20 3 PLC ± 0.10 4 PLC ± - ANGLES ± 3°		PRODUCT SPEC	SIZE A3	
MATERIAL		APPLICATION SPEC	CAGE CODE 00779	DRAWING NO C-2199125
FINISH		WEIGHT	RESTRICTED TO	
		CUSTOMER DRAWING		SCALE 4:1
				SHEET 2 OF 4
				REV A2

THIS DRAWING IS UNPUBLISHED. RELEASED FOR PUBLICATION  
 © COPYRIGHT - By - ALL RIGHTS RESERVED.

LOC	DIST	REVISIONS			
P	LTR	DESCRIPTION	DATE	DWN	APVD
-	-	SEE SHEET 1	-	-	-



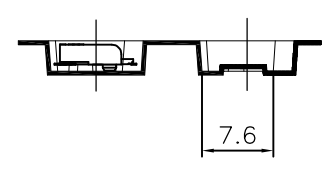
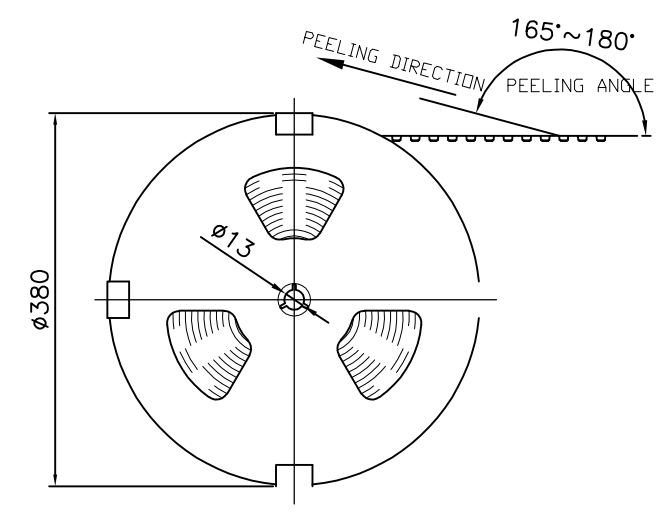
RECOMMENDED NGFF MINI CARD MOUNTING TYPE\_SMT\_PCB OUTLINE  
 DATUM Z: PCB SOLDER SURFACE

M	1.5	14.0	2.0	14.0
E	10.5	5.0	10.5	5.5
B	13.5	2.0	13.5	2.5
A	14.5	1.0	14.5	1.5
KEY ID.	DIM. D	DIM. C	DIM. B	DIM. A

THIS DRAWING IS A CONTROLLED DOCUMENT.		DWN	SIMON WU 14FEB2012		 TE Connectivity
DIMENSIONS: mm		CHK	SIMON LI 14FEB2012		
		APVD	COREL WANG 14FEB2012		
		PRODUCT SPEC	NAME		
TOLERANCES UNLESS OTHERWISE SPECIFIED:		APPLICATION SPEC		M.2(NGFF) MINI CARD MOUNTING TYPE 0.50mm PITCH 67 POS. 2.25mm HEIGHT FOR SINGLE SIDED MODULE	
0 PLC ± 0.30 1 PLC ± 0.30 2 PLC ± 0.20 3 PLC ± 0.10 4 PLC ± - ANGLES ± 3°		WEIGHT			
MATERIAL		CUSTOMER DRAWING		SIZE	RESTRICTED TO
FINISH		A3		CAGE CODE	00779
		DRAWING NO		C=2199125	
		SCALE		5:1	
		SHEET		3 OF 4	
		REV		A2	

THIS DRAWING IS UNPUBLISHED. RELEASED FOR PUBLICATION  
 © COPYRIGHT - By - ALL RIGHTS RESERVED.

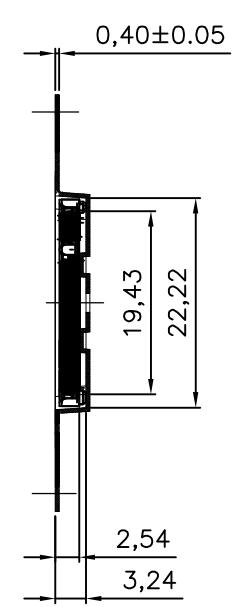
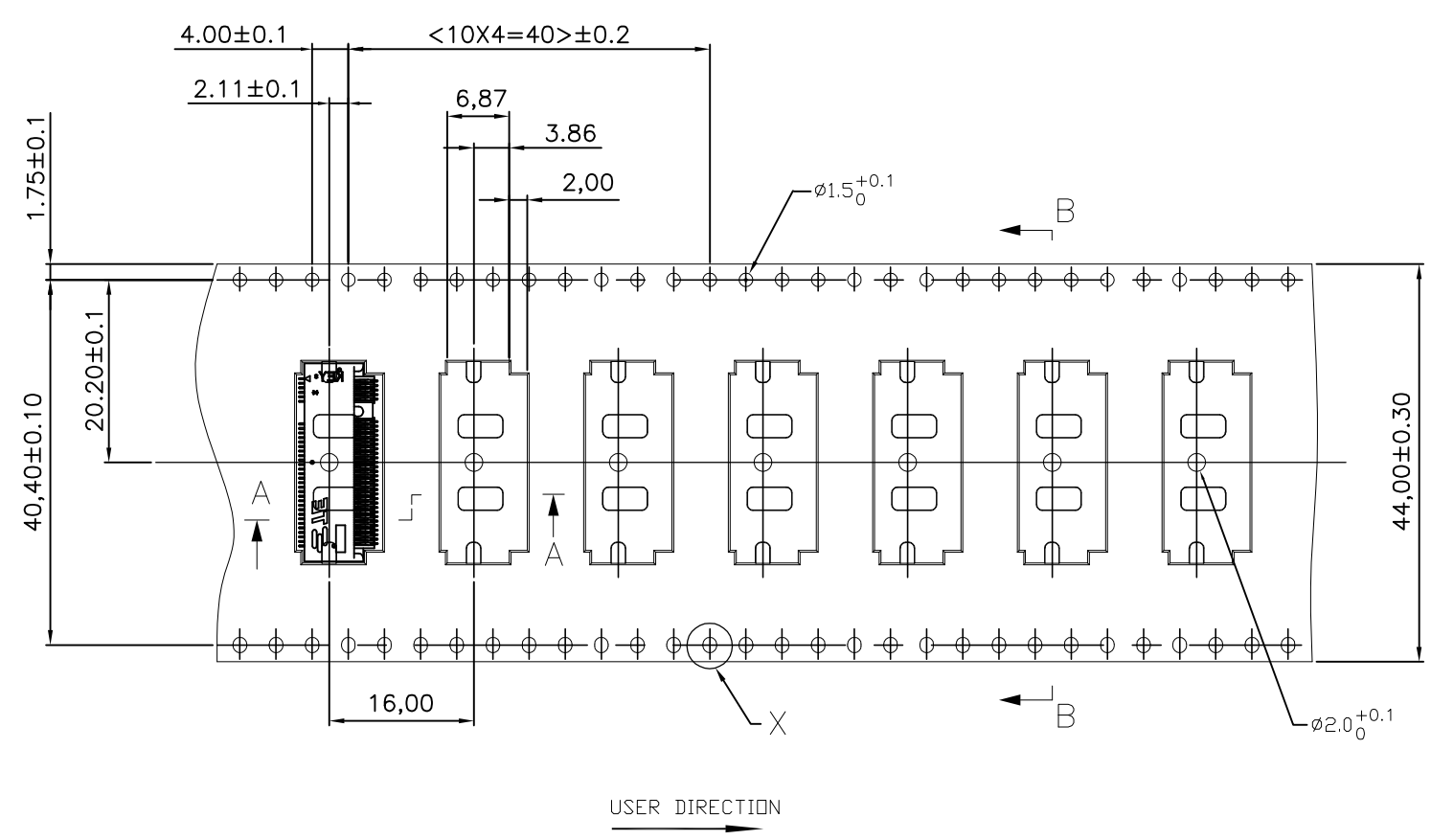
LOC	DIST	REVISIONS					
		P	LTR	DESCRIPTION	DATE	DWN	APVD
-	-	-	-	SEE SHEET 1	-	-	-



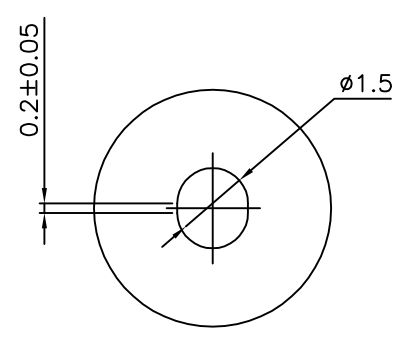
SECTION A-A

NOTES: (APPLIED TO CURRENT SHEET)

1. THE DIRECTION OF EACH CONNECTOR ON A EMBOSS IS REFERRED TO THIS DRAWING.
2. GENERAL TOLERANCE:  $\pm 0.5$ ,  $\pm 3^\circ$
3. PACKAGED IN EMBOSS TAPE AND PLASTIC REEL 1500PCS PER REEL.



SECTION B-B



VIEW X  
<5:1>

THIS DRAWING IS A CONTROLLED DOCUMENT.		DWN SIMON WU 14FEB2012			
DIMENSIONS: mm		CHK SIMON LI 14FEB2012			
TOLERANCES UNLESS OTHERWISE SPECIFIED:		APVD COREL WANG 14FEB2012	NAME		
0 PLC ± 0.30		PRODUCT SPEC	M.2(NGFF) MINI CARD MOUNTING TYPE		
1 PLC ± 0.30		APPLICATION SPEC	0.50mm PITCH 67 POS. 2.25mm HEIGHT		
2 PLC ± 0.20		WEIGHT	SIZE	CAGE CODE	DRAWING NO
3 PLC ± 0.10		CUSTOMER DRAWING	A3	00779	C-2199125
4 PLC ± -		SCALE	RESTRICTED TO		REV
ANGLES ± 3°		N/A	-		A2
FINISH		SHEET	4 of 4		
MATERIAL					

# Mouser Electronics

Authorized Distributor

Click to View Pricing, Inventory, Delivery & Lifecycle Information:

[TE Connectivity:](#)

[2199125-3](#)