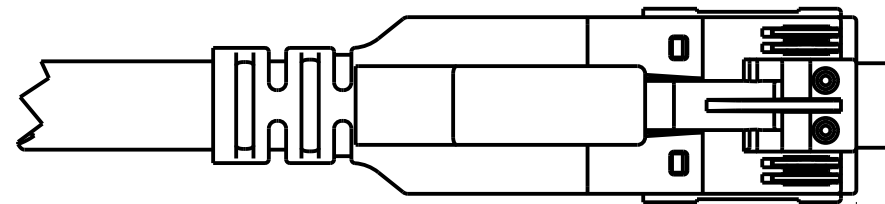
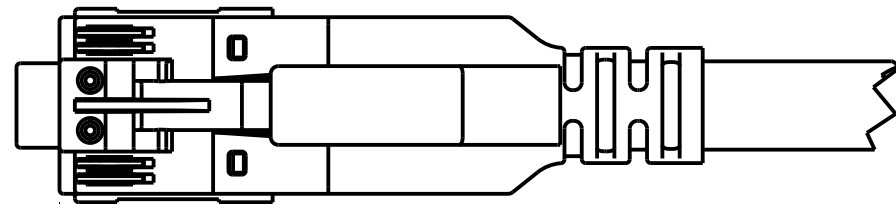


DATE	REV.	ECN	APP'D BY
10-22-10	A0	-	SAW
10-4-12	A1	9616	SAW

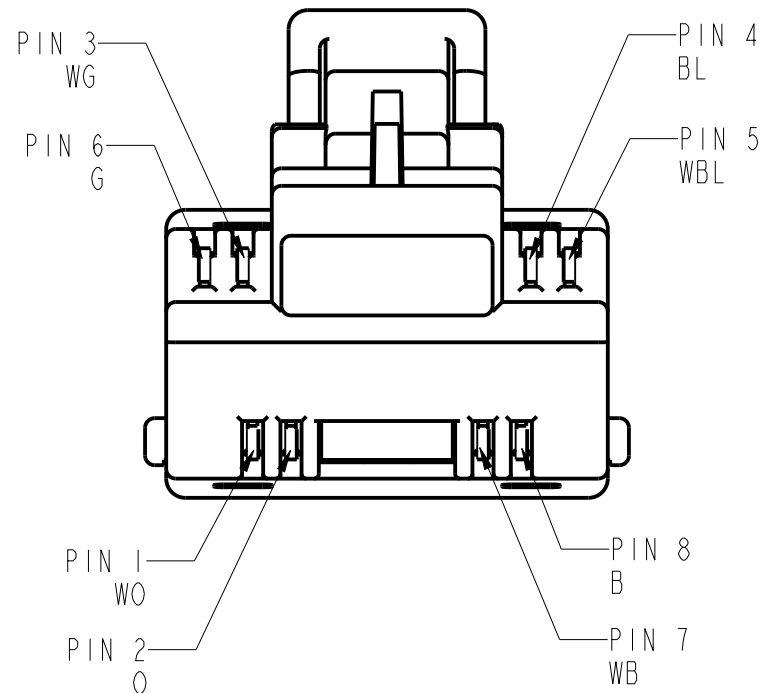
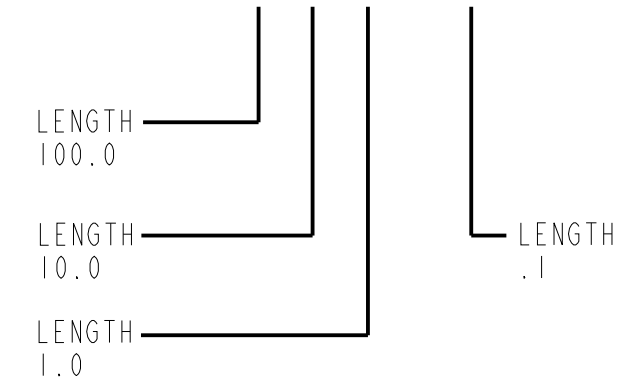
LEFT PLUG: CAT 7a

RIGHT PLUG: CAT 7a

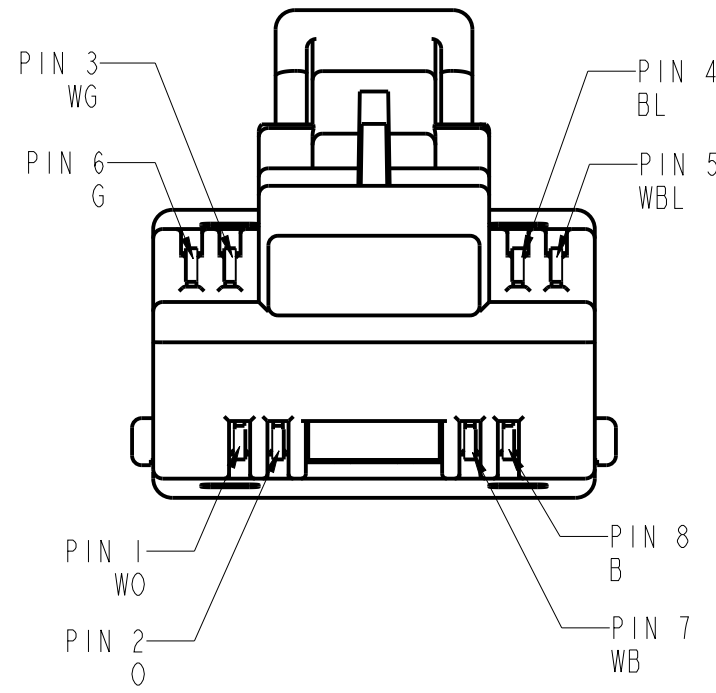


+4 INCH [10.16 CM]
L-.000 [0]

CA77-XXXXM-2



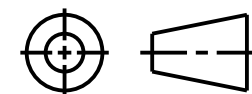
LEFT PLUG WIRING DIAGRAM



RIGHT PLUG WIRING DIAGRAM

10 METER	CA77-010M0-2
7 METER	CA77-007M0-2
5 METER	CA77-005M0-2
3 METER	CA77-003M0-2
2 METER	CA77-002M0-2
1 METER	CA77-001M0-2
STANDARD LENGTHS	PART NUMBER

THIRD ANGLE PROJECTION



DO NOT SCALE DRAWING
DRAWING IS SUBJECT TO CHANGE WITHOUT NOTICE

DIMENSIONS: FEET [METER]
UNLESS OTHERWISE SPECIFIED TOLERANCES ARE ±.005 [0.13] ANGLES ARE ±1°

SHEET NO. 1 OF 1

Bel Stewart Connector

11118 Susquehanna Trail South
Glen Rock, PA 17327-9199
(717) 235-7512 Fax: (717) 235-7954 <http://www.stewartconnector.com>

TITLE: ARJ45 HS CAT 7a TO CAT 7a STANDARD LENGTH PATCH CORD ASSEMBLY, METER, GREY CABLE

THIS DRAWING AND THE SUBJECT MATTER SHOWN THEREON ARE CONFIDENTIAL AND THE PROPRIETARY PROPERTY OF BEL STEWART CONNECTOR AND SHALL NOT BE REPRODUCED, COPIED, OR USED IN ANY MANNER WITHOUT PRIOR WRITTEN CONSENT OF BEL STEWART CONNECTOR. THE SUBJECT MATTER MAY BE PATENTED OR A PATENT MAY BE PENDING.

DRN BY: SAW DATE 12/20/06

APPD BY: DHG DATE 12/20/06

DWG. NO. CTCA77-004 REV. A1

B=BROWN	BL=BLUE
WB=WHITE/BROWN	WBL=WHITE/BLUE
G=GREEN	O=ORANGE
WG=WHITE/GREEN	WO=WHITE ORANGE

Mouser Electronics

Authorized Distributor

Click to View Pricing, Inventory, Delivery & Lifecycle Information:

[Bel:](#)

[CA77-002M0-2](#) [CA77-005M0-2](#) [CA77-003M0-2](#) [CA77-007M0-2](#) [CA77-001M0-2](#) [CA77-010M0-2](#)