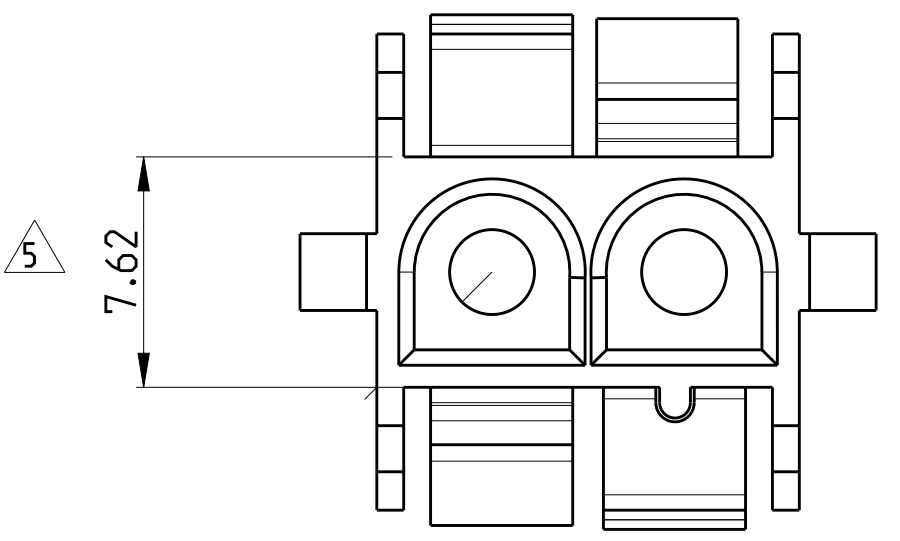
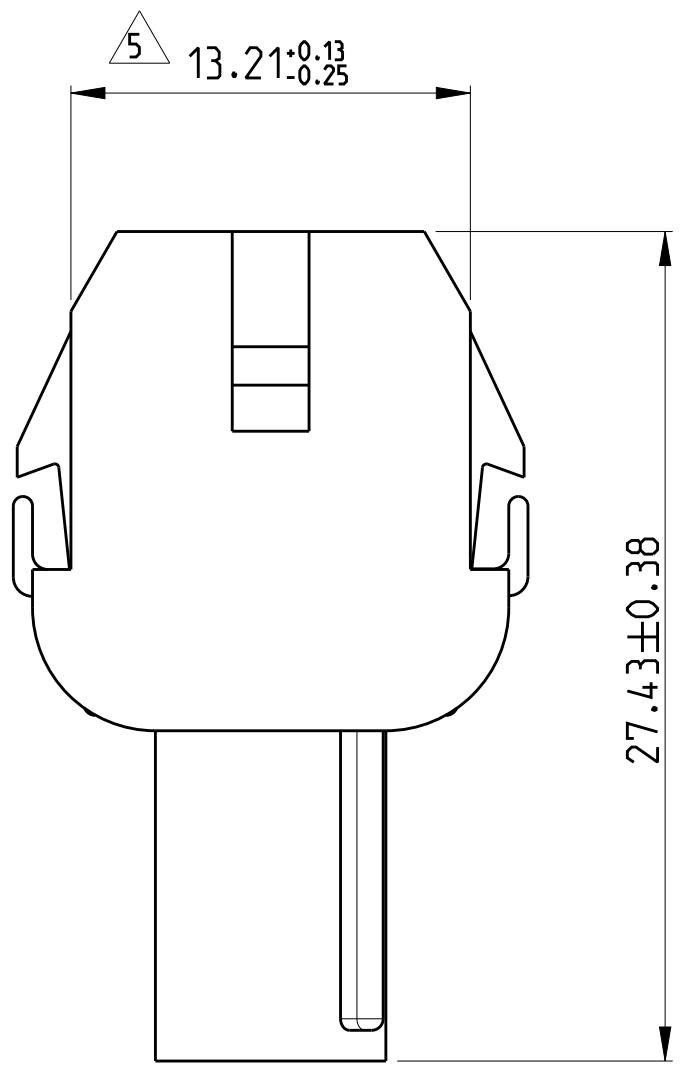
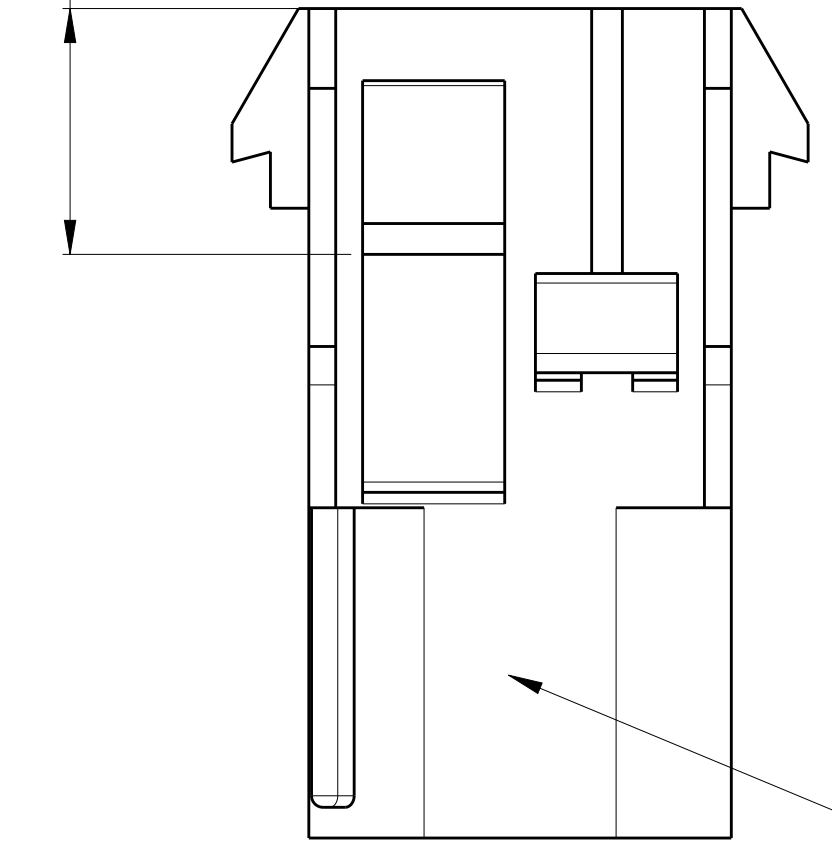
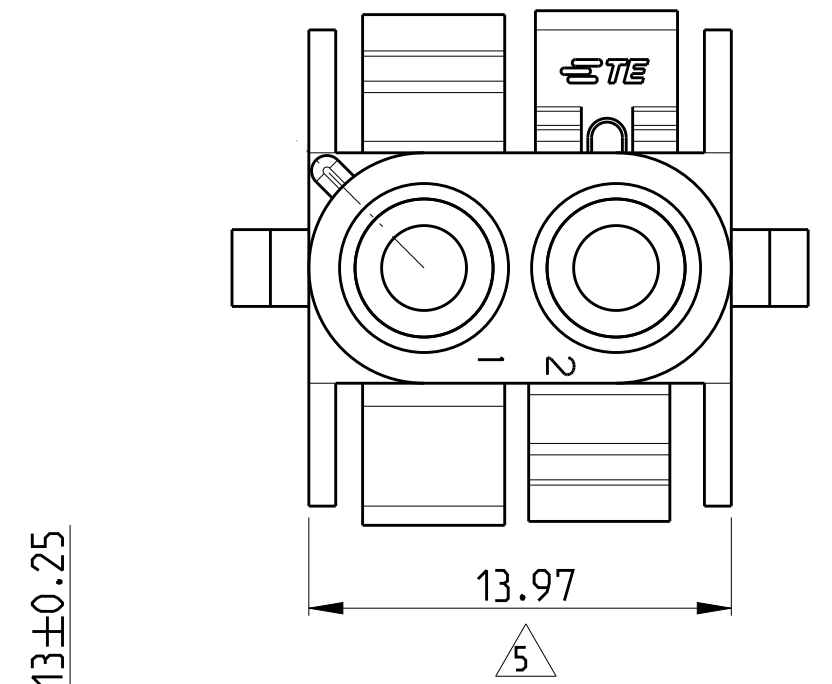


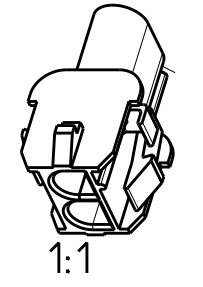
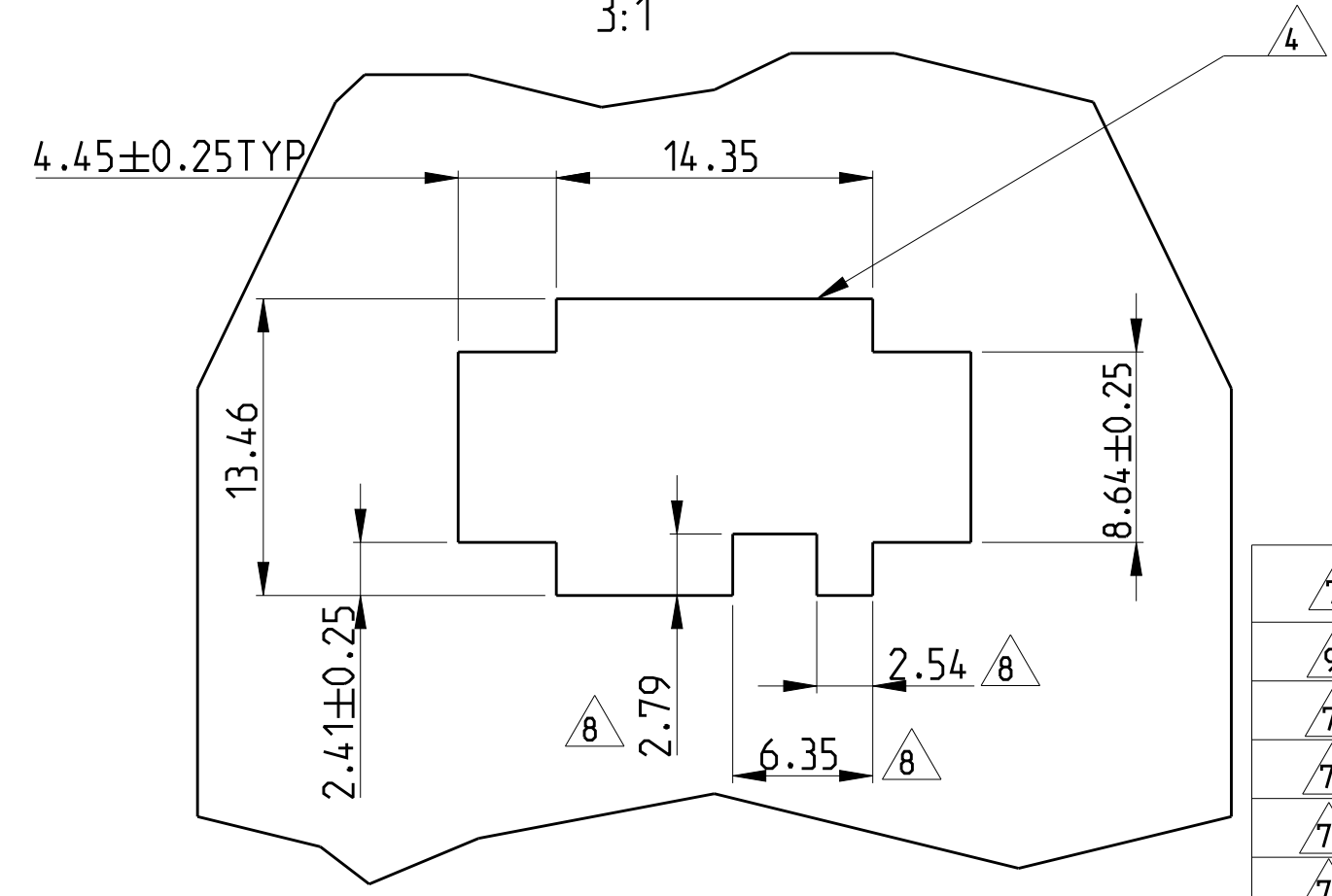
THIS DRAWING IS UNPUBLISHED. RELEASED FOR PUBLICATION 2003
 © COPYRIGHT 2003 BY - ALL RIGHTS RESERVED.

LOC	DIST	REVISIONS					
A1	2	P	LTR	DESCRIPTION	DATE	DWN	APVD
			B5	REVISED PER ECR-17-002907	23OCT2017	JB	DZ



- 1 MATES WITH APPROPRIATE UNIVERSAL MATE-N-LOK PLUG
- 2 RECOMMENDED PANEL THICKNESS 0.76 - 2.29 mm
- 3 PANEL MUST BE PUNCHED SO THAT THE HOUSING ENTERS THE PANEL IN THE SAME DIRECTION AS THE PUNCH
- △4 CIRCUIT NUMBER 1 LOCATION
- △5 DIMENSION INDICATED AS MOLDED. ADDITIONAL GROWTH DUE TO SUBSEQUENT MOISTURE ABSORPTION MAY OCCUR
- △6 UNDERWRITERS RECOGNIZED COMPONENT LOGO AND CSA CERTIFICATION LOGO TO BE LOCATED ONCE EACH ON SIDE OF HOUSING
- △7 MATERIAL CORRESPONDING TO THE REQUIREMENTS OF IEC 60335 (INCL. GLOW WIRE TEST 750°C, WITHOUT FLAME)
- △8 OPTIONAL FOR KEYING HOUSING IN PANEL
- △9 PRELIMINARY PART NOT RELEASED FOR PRODUCTION

RECOMMENDED PANEL CUT OUT
3:1



REMARK	PN	REV	MATERIAL	COLOUR
△7	1-1703062-2	A	PA66 UL94 V0 (GWT 750 °C)	NATURAL
△9	1-1703062-1	1	PA6 UL94 V0	NATURAL
△7	1703062-4	A	PA6 UL94 V2 GWT 750 °C	BLACK
△7	1703062-3	A	PA6 UL94 V2 GWT 750 °C	RED
△7	1703062-2	A	PA6 UL94 V2 GWT 750 °C	BLUE
△7	1703062-1	A	PA6 UL94 V2 GWT 750 °C	NATURAL

THIS DRAWING IS A CONTROLLED DOCUMENT.

DWN MAHNKE, B. 16APR2004
 CHK ZITZ, A. 26APR2004
 APVD BLEICHER, M. 27APR2004

STE TE Connectivity

NAME CAP 2 CIRCUIT UNIVERSAL MATE-N-LOK

SIZE CAGE CODE DRAWING NO RESTRICTED TO
 A2 00779 C-1703062 -

MATERIAL PA 6 WEIGHT 2.55 g SCALE 4:1 SHEET 1 OF 1 REV B5

CUSTOMER DRAWING

Mouser Electronics

Authorized Distributor

Click to View Pricing, Inventory, Delivery & Lifecycle Information:

[TE Connectivity:](#)

[1-1703062-2](#)