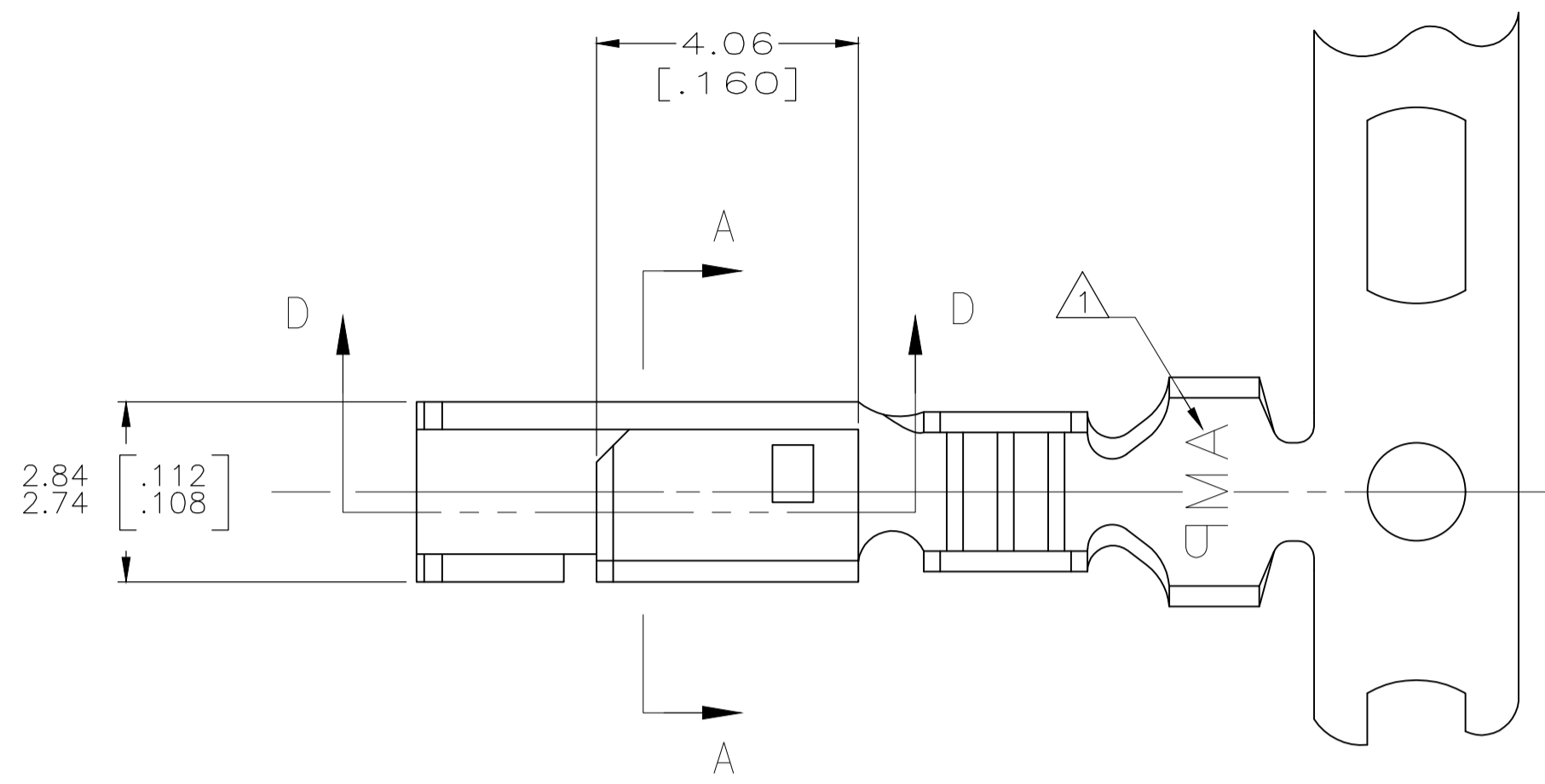
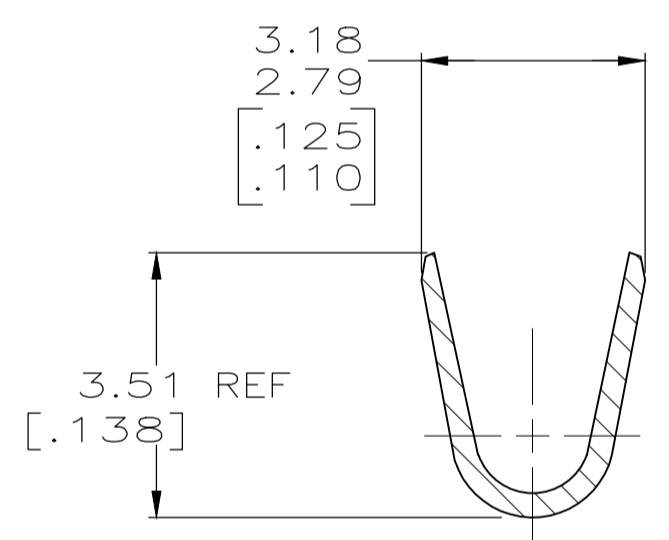
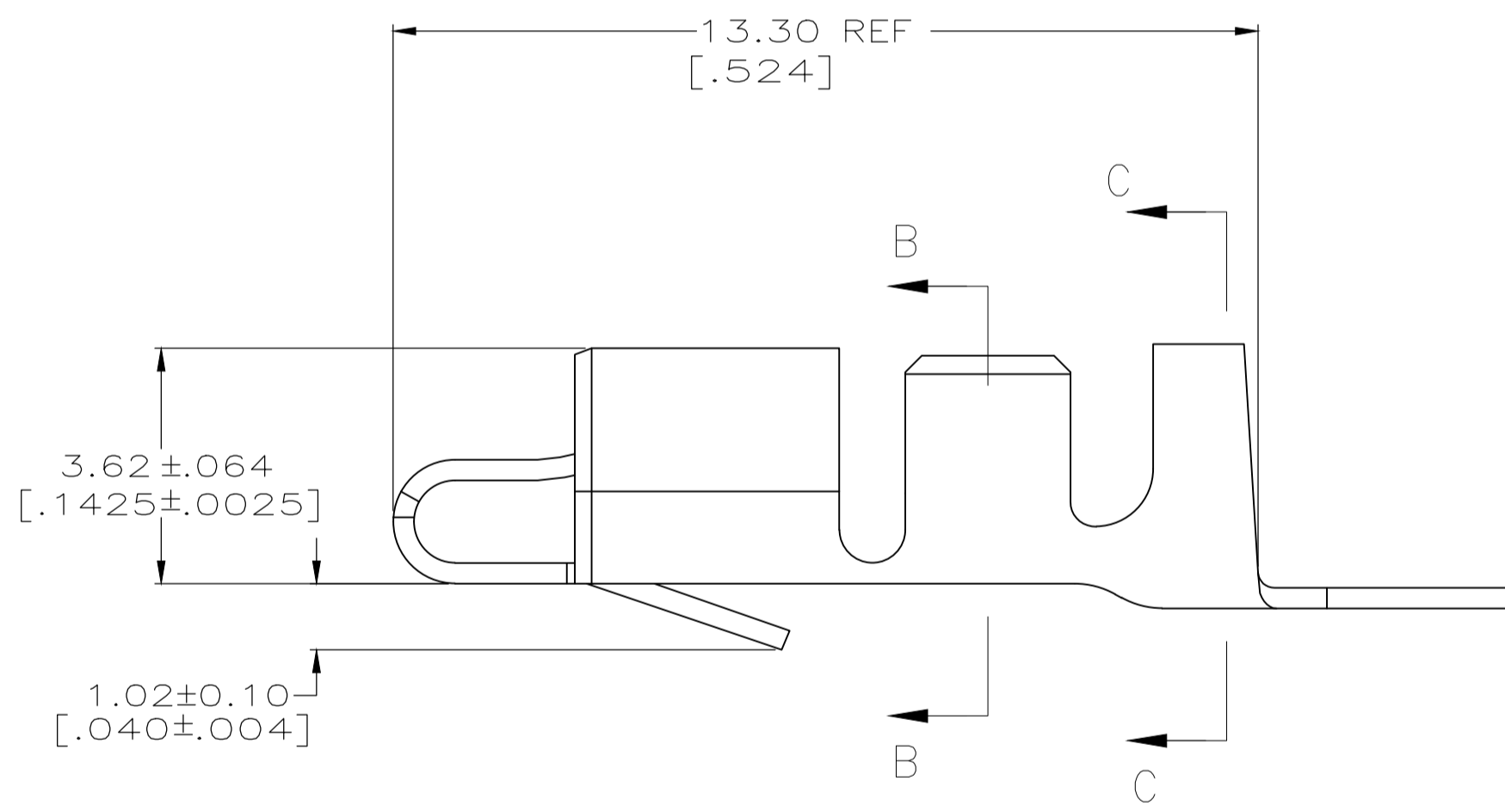
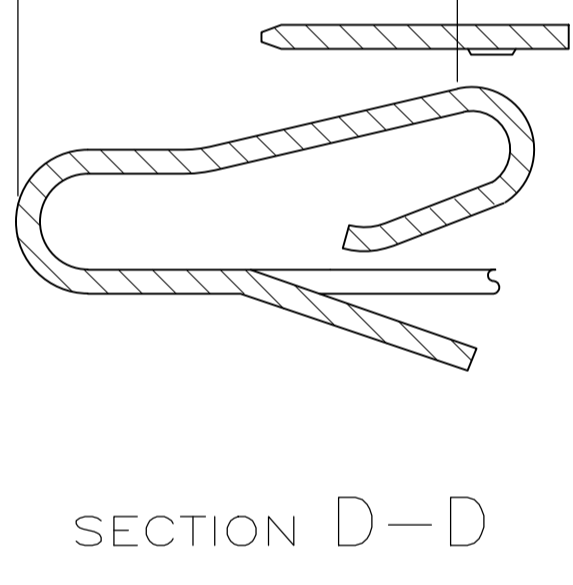


REVISIONS				
P	LTR	DESCRIPTION	DATE	BY
D		REVISED PER ECR-18-001701	21FEB2018	BDA SG

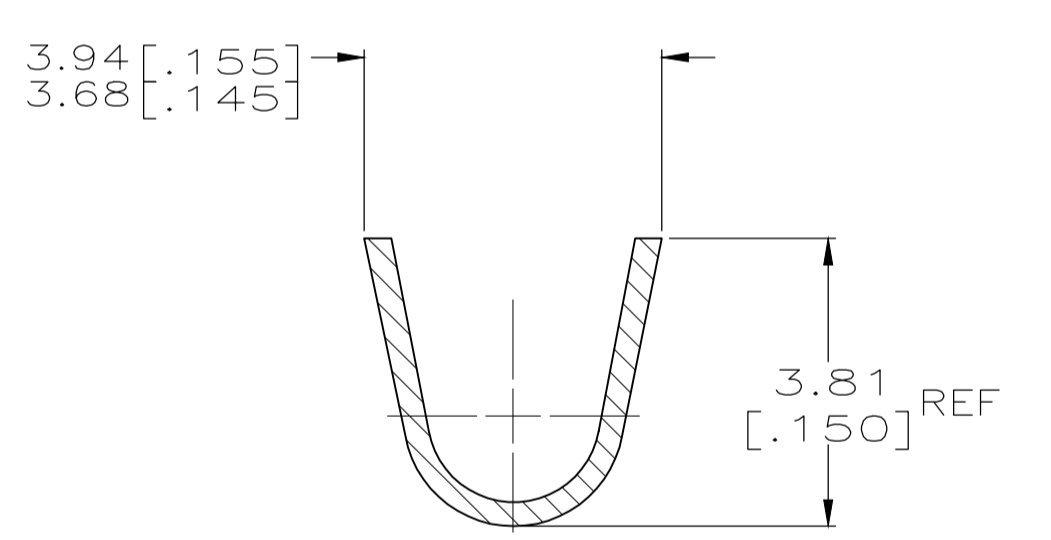
- INSULATION RANGE: 1.78-2.84 [.070-.112]
WIRE RANGE: NOT TO EXCEED 2550-2800 CMA (1.29-1.42 mm²) (LIMITED 16 AWG RANGE).
- 0.00203 [.000080] MIN BRIGHT TIN-LEAD OVER
0.00127 [.000050] MIN NICKEL.
- 0.00076 [.000030] MIN THICK GOLD STRIPES IN LOCALIZED PLATE AREA ON BEAM AND DIMPLE OVER
0.00127 [.000050] MIN THICK NICKEL OVER ENTIRE CONTACT.
- DIMENSIONS IN BRACKETS ARE IN INCHES.
- FOR USE ONLY WITH LID STYLE HOUSING.
- 0.00203 [.000080] MIN BRIGHT TIN OVER
0.00127 [.000050] MIN NICKEL.
- OBSELETE PARTS



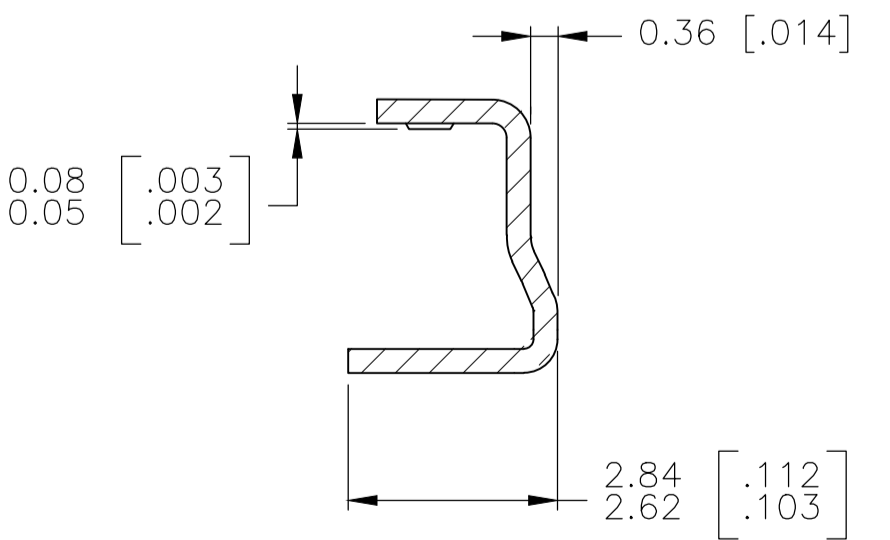
5.84 [.230]
CENTER OF LOCALIZED PLATE AREA



SECTION B-B



SECTION C-C



SECTION A-A
ROTATED 90° CCW

3-647466-1
647466-2
647466-1
FINISH
PART NUMBER

THIS DRAWING IS A CONTROLLED DOCUMENT.		DIN K. WHITAKER 18OCT2004		APVD J. ELLIS 18OCT2004	
DIMENSIONS: mm [INCHES]		TOLERANCES UNLESS OTHERWISE SPECIFIED:		NAME	
0 PLC	± -	1 PLC	± -	SL-156 HOODED RECEPTACLE, LARGE WIRE CONTACT	
1 PLC	± -	2 PLC	± 0.13 [.005]	PRODUCT SPEC	
2 PLC	± -	3 PLC	± -	108-1049	
3 PLC	± -	4 PLC	± -	APPLICATION SPEC	
4 PLC	± -	ANGLES	± -	114-1021	
MATERIAL	PH BRZ	FINISH	SEE TABLE	WEIGHT	A1 00779 647466
CUSTOMER DRAWING			SCALE	10:1	SHEET 1 OF 1 REV D