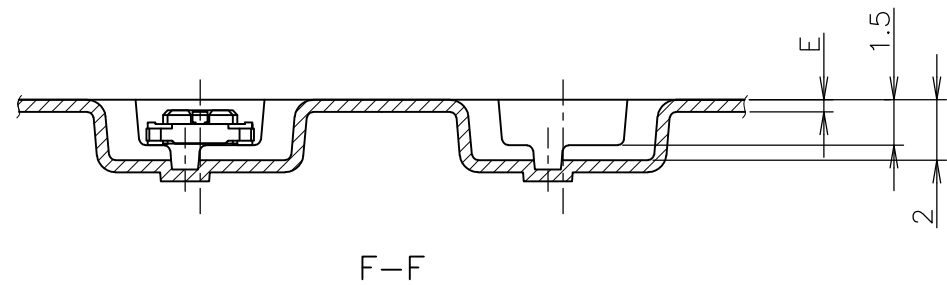
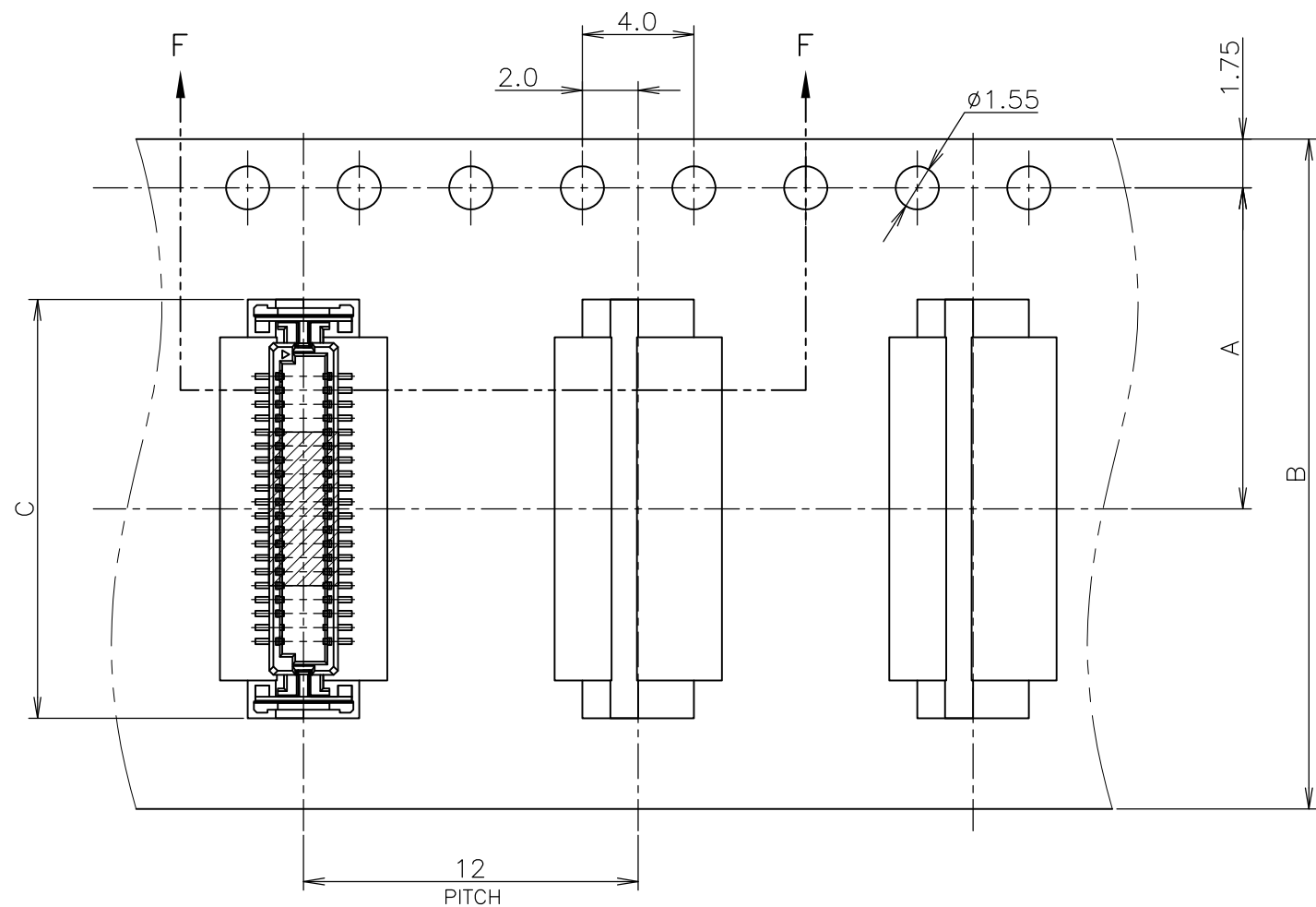
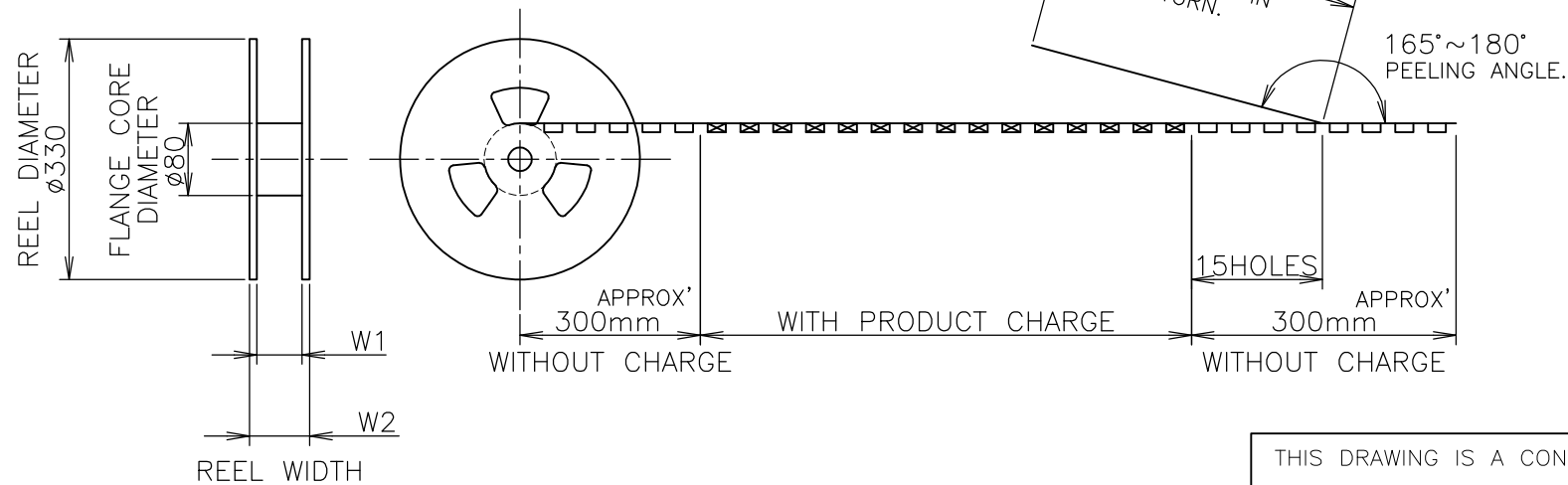


LOC ES	DIST	REVISIONS 变更			DATE	DWN	APVD
		P	LTR	DESCRIPTION			
			B1	REVISED	09SEP2010	B.L	S.Y



TOP OF REEL  
➔



28.4	24.4	0.4	15.0	24	11.5	1500	40	4-5353515-5
28.4	24.4	0.4	15.0	24	11.5	1500	40	4-5353515-0
28.4	24.4	0.4	12.5	24	11.5	1500	30	3-5353515-0
20.4	16.4	0.4	9.75	16	7.5	1500	20	2-5353515-0
W2	W1	E	C	B	A	QTY/REEL	POS	TAPING P/N

INSTRUCTION SHEET  
411-5781

THIS DRAWING IS A CONTROLLED DOCUMENT.		DWN BILL LV 09SEP2010	Tyco Electronics Shanghai, P.R.China, 200233	
DIMENSIONS: 单位: 耗 mm		CHK MARTIN LI 09SEP2010	NAME STEVEN YAO	
TOLERANCES UNLESS OTHERWISE SPECIFIED: 一般公差		APVD STEVEN YAO 09SEP2010	PRODUCT SPEC 108-60048	
0 PLC ± 0.2		APPLICATION SPEC 取付適用規格		
1 PLC ± 0.2		WEIGHT		
2 PLC ± 0.2		SIZE A3		
3 PLC ± 0.2		CAGE CODE 00779		
4 PLC ± 0.2		DRAWING NO G-5353515		
ANGLES ± 3'		RESTRICTED TO		
FINISH 仕上		SCALE 尺度 4:1		
MATERIAL 材料		SHEET 1 OF 2		
CUSTOMER DRAWING		REV B1		

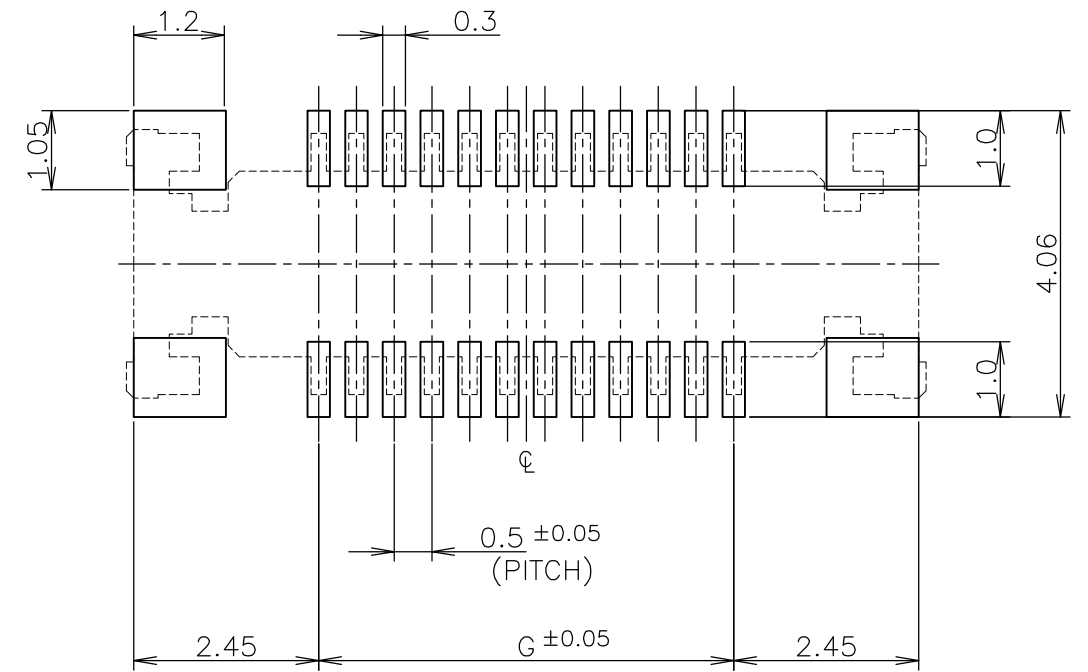
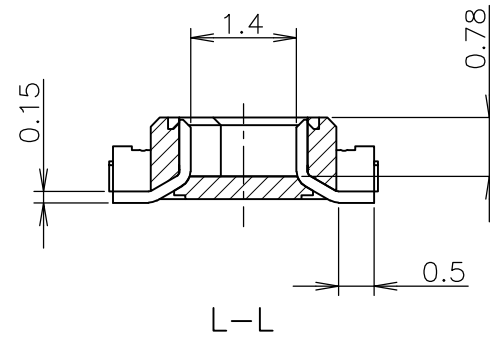
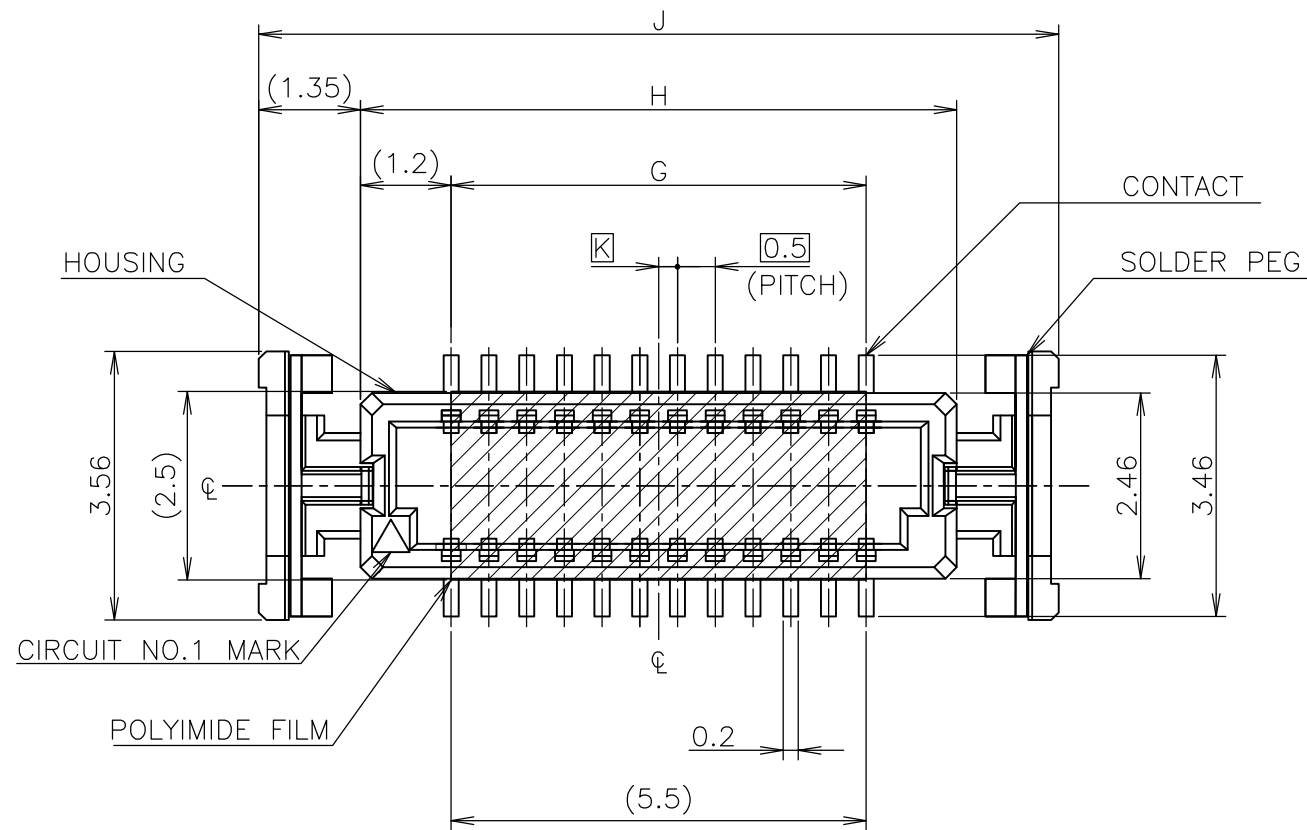
LOC  
ES

DIST

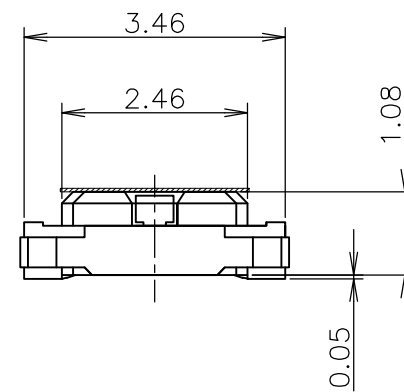
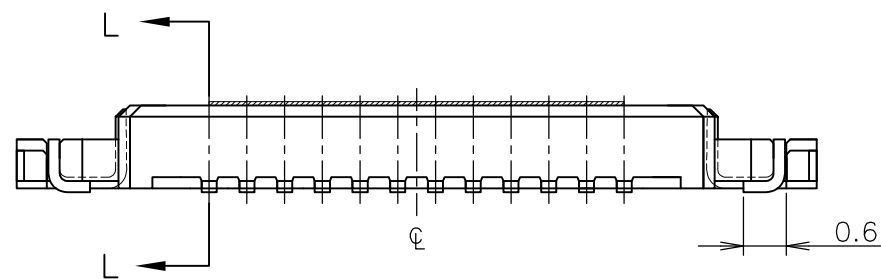
REVISIONS

变更

P	LTR	DESCRIPTION	DATE	DWN	APVD
-	-	SEE SHEET 1	-	-	-



(T=0.6 MIN.)  
P.C. BOARD LAYOUT (REF.)



1 MATING COUNTER PART NUMBER: 5353511

△ MATERIAL

HOUSING: HIGH HEAT-RESISTED

CONTACT: COPPER ALLOY (t=0.15), Au PLATING.

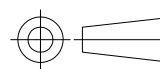
SOLDER PEG: COPPER ALLOY (t=0.15), TIN PLATING.

△ CONTACT: Au PLATING (0.00076mm)

THIS DRAWING IS A CONTROLLED DOCUMENT.

DIMENSIONS:  
单位: 耗  
mm

TOLERANCES UNLESS  
OTHERWISE SPECIFIED:  
一般公差



0 PLC	± 0.2
1 PLC	± 0.2
2 PLC	± 0.2
3 PLC	± 0.2
4 PLC	± 0.2
ANGLES	± 3'

MATERIAL  
材料

FINISH  
仕上

△

△ △

INSTRUCTION SHEET  
411-5781

DWN

CHK

APVD

PRODUCT SPEC  
製品規格

APPLICATION SPEC  
取付適用規格

WEIGHT

CUSTOMER DRAWING

△	0.25	14.6	12.8	9.5	40	4-5353515-5
	0.25	14.6	12.8	9.5	40	4-5353515-0
	--	12.1	10.3	7	30	3-5353515-0
	0.25	9.6	7.8	4.5	20	2-5353515-0
	K	J	H	G	POS.	PART NO.

**Tyco Electronics** Tyco Electronics  
Shanghai, P.R.China, 200233

NAME  
名称  
ON TAPING EMBOSS  
0.5mm PITCH FS CONN. TAB ASSEMBLY  
WITH KEY & WITHOUT BOSS & POLYIMIDE FILM ⊗

SIZE	CAGE CODE	DRAWING NO 番号	RESTRICTED TO
A3	00779	G-5353515	-

SCALE 10:1 SHEET 2 OF 2 REV B1

# Mouser Electronics

Authorized Distributor

Click to View Pricing, Inventory, Delivery & Lifecycle Information:

[TE Connectivity:](#)

[3-5353515-0](#)