

CIRCUIT SIZE	DIM. "A"	DIM. "B"	DIM. "C"	DIM. "D"
6	.54 (13.8)	.33 (8.4)	.807 (20.50)	.945 (24.00)
8	.71 (18.0)	.50 (12.6)	.972 (24.70)	1.110 (28.20)
10	.87 (22.2)	.66 (16.8)	1.138 (28.90)	1.276 (32.40)
12	1.04 (26.4)	.83 (21.0)	1.303 (33.10)	1.441 (36.60)
14	1.20 (30.6)	.99 (25.2)	1.469 (37.30)	1.606 (40.80)
16	1.37 (34.8)	1.16 (29.4)	1.643 (41.50)	1.772 (45.00)
18	1.54 (39.0)	1.32 (33.6)	1.799 (45.70)	1.937 (49.20)
20	1.70 (43.2)	1.49 (37.8)	1.965 (49.90)	2.102 (53.40)
22	1.87 (47.4)	1.65 (42.0)	2.130 (54.10)	2.268 (57.60)
24	2.03 (51.6)	1.82 (46.2)	2.295 (58.30)	2.433 (61.80)

- NOTES:
- MATERIAL:
    - 1 = NYLON (PA6/6), UNFILLED, UL94 V-2, COLOR: NATURAL
    - 2 = NYLON (PA6/6), UNFILLED, UL94 V-0, COLOR: NATURAL (WHITE)
    - 3 = NYLON (PA6/6), UNFILLED, UL94 V-2, COLOR: BLACK
    - 4 = NYLON (PA6/6), UNFILLED, UL94 V-0, COLOR: BLACK
  - FINISH NOT APPLICABLE.
  - PRODUCT SPECIFICATION: PS-5556-002
  - PACKAGING SPECIFICATION: PK-42474-001
  - 6-24 CKT. PARTS MATE WITH MOLEX RECEPTACLES 5557, 42385 AND 42474. 2 AND 4 CKT. PARTS MATE WITH 42385 AND 42474 ONLY.
  - PART IS FOR USE WITH MALE TERMINAL #5558.
  - PART ALLOWS FOR UP TO .100/(2.54) MISALIGNMENT WITH MATING RECEPTACLE IN ANY DIRECTION. SEE MATING CONNECTOR DRAWINGS FOR SPECIFIC ALLOWANCES.
  - PANEL CUT-OUT TO BE PUNCHED IN THE SAME DIRECTION AS CONNECTOR INSERTION.
  - PART CONFORMS TO CLASS "B" REQUIREMENTS OF COSMETIC SPECIFICATION PS-45499-022.

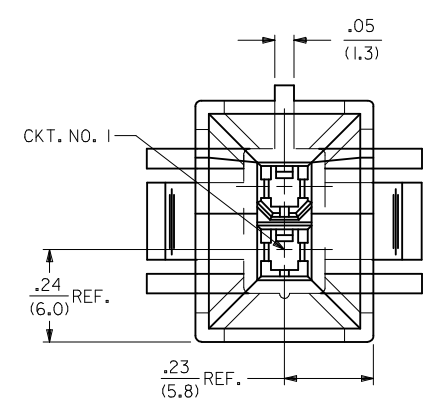
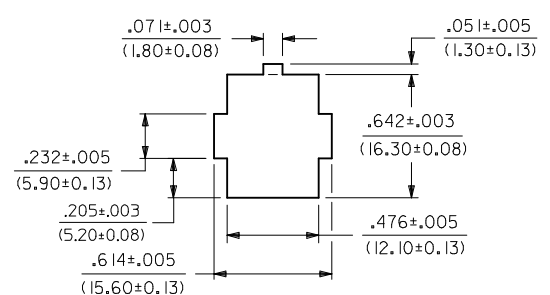
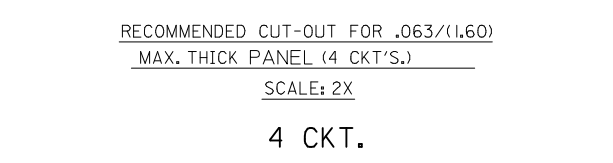
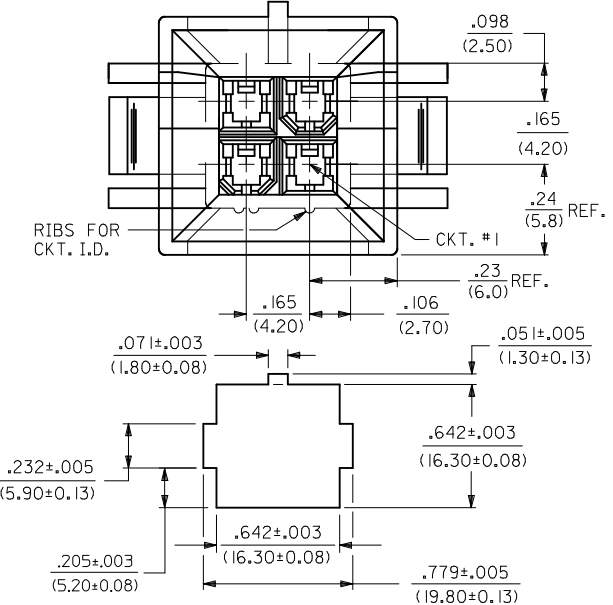
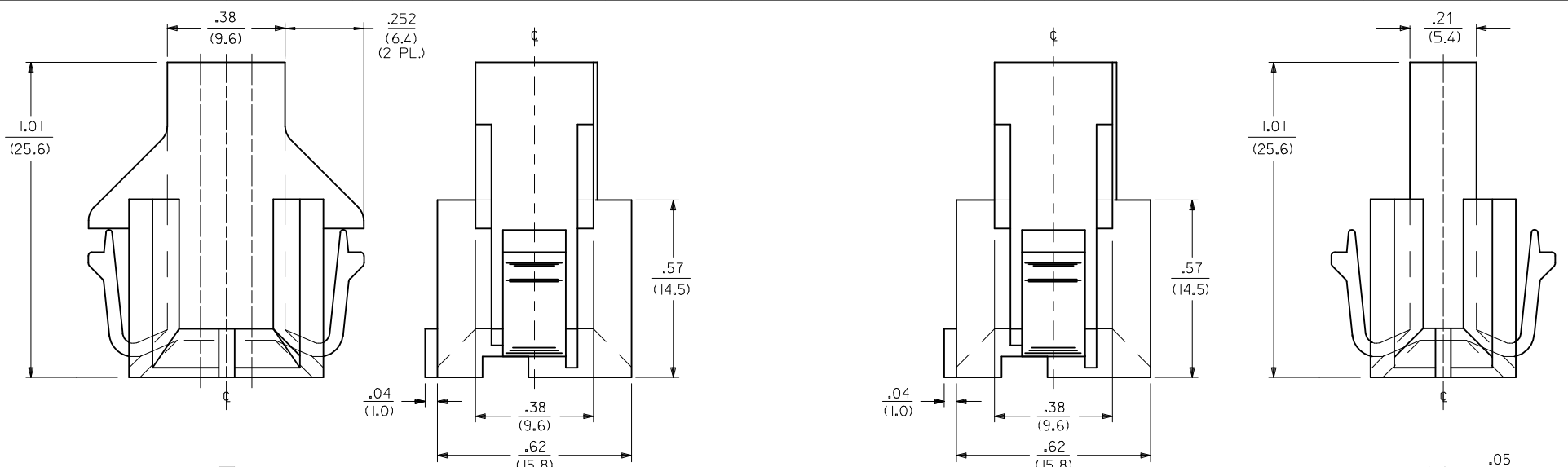
- FOR MANUFACTURING EASE PARTS MAY HAVE OPTIONAL EJECTOR RIBS. SEE SHT. 3 FOR LOCATION.
- DIMENSION DOES NOT INCLUDE EJECTOR RIBS (SEE PAGE #3 FOR PARTS WITH RIBS, RIB DIMENSIONS AND LOCATION).
- IF THIS PRODUCT IS STORED IN AN ENVIRONMENT WITH A RELATIVE HUMIDITY OF LESS THAN 50%, MOISTURE MUST BE ADDED. REFER TO TECHNICAL ADVISORY AS-45499-001 FOR INSTRUCTIONS.
- INTERIOR RIB LOCATION MAY VARY.

- CONNECTOR ASSEMBLIES ARE NOT TO BE MATED OR UNMATED WHILE CIRCUITS ARE LIVE.
- WIRES ARE TO BE DRESSED IN SUCH A MANNER TO ALLOW THE TERMINALS TO FLOAT FREELY IN THE POCKET.
- PARTS MAY HAVE OPTIONAL GUSSET

RECOMMENDED CUT-OUT FOR .063/(1.60) MAX., .038/(0.97) MIN. THICK PANEL (6-24 CKT.'S.)  
SCALE: 2X

SEE SHEET 2 FOR 2 & 4 CKT. PARTS

ADD MIN PANEL EC NO: UCP2015-4971 DRWNG: SLAFER CHKD: BELL APPR: FSMITH	DESCRIPTION 2016/04/01 2016/04/01 2016/04/05	QUALITY SYMBOLS ▽=0 ▽=0 ▽=0	GENERAL TOLERANCES (UNLESS SPECIFIED)		DIMENSION STYLE IN/MM		SCALE 4:1	DESIGN UNITS METRIC	THIRD ANGLE PROJECTION	
			mm	INCH	DRAWN BY GEP	DATE 1989/07/18	TITLE PLUG HOUSING B.M.I. 2-24 CIRCUITS MINI-FIT SERIES	MATERIAL NO. DOCUMENT NO. SD-42475-***1		
DRAFT WHERE APPLICABLE MUST REMAIN WITHIN DIMENSIONS			ANGULAR ±1/2°		APPROVED BY FSMITH		DATE 2011/09/02		SHEET NO. 1 OF 4	
S14			SEE SHEET 4		THIS DRAWING CONTAINS INFORMATION THAT IS PROPRIETARY TO MOLEX INCORPORATED AND SHOULD NOT BE USED WITHOUT WRITTEN PERMISSION					



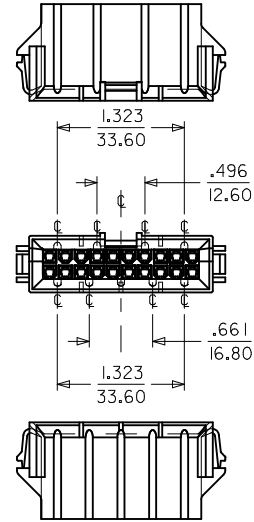
RECOMMENDED CUT-OUT FOR .063/(1.60)  
MAX. THICK PANEL (4 CKT'S.)  
SCALE: 2X

RECOMMENDED CUT-OUT FOR .063/(1.60)  
MAX. THICK PANEL #1 (2 CKT'S.)  
SCALE: 2X

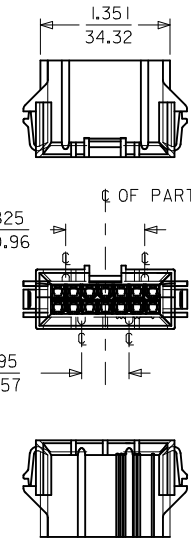
2 CKT.

4 CKT.

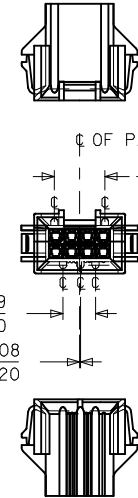
SEE SHEET 1 EC NO: UCP2015-4971 DRWNSLAFATER 2016/04/01 CHKD:JBELL 2016/04/01 APPR:FSMITH 2016/04/05 S14	QUALITY SYMBOLS	GENERAL TOLERANCES (UNLESS SPECIFIED)	DIMENSION STYLE	SCALE	DESIGN UNITS	THIRD ANGLE PROJECTION
	▽=0	mm INCH	IN/MM	4:1	METRIC	
	▽=0	4 PLACES ± --- ± ---	DRAWN BY DATE	TITLE	PLUG HOUSING B.M.I. 2-24 CIRCUITS MINI-FIT SERIES	
	▽=0	3 PLACES ± --- ± .010	CHECKED BY DATE	MOLEX INCORPORATED		
	2 PLACES ± 0.25 ± .015	APPROVED BY DATE	MATERIAL NO.		DOCUMENT NO.	SHEET NO.
	1 PLACE ± 0.38 ± ---	ANGULAR ± 1/2°	SEE SHEET 4		SD-42475-***1	2 OF 4
		DRAFT WHERE APPLICABLE MUST REMAIN WITHIN DIMENSIONS	THIS DRAWING CONTAINS INFORMATION THAT IS PROPRIETARY TO MOLEX INCORPORATED AND SHOULD NOT BE USED WITHOUT WRITTEN PERMISSION			



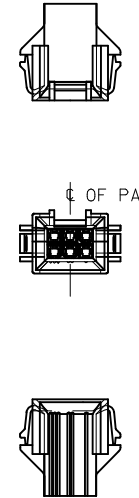
20 CIRCUIT



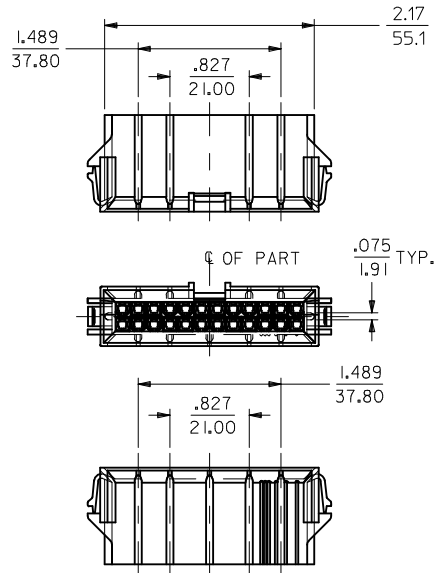
OR



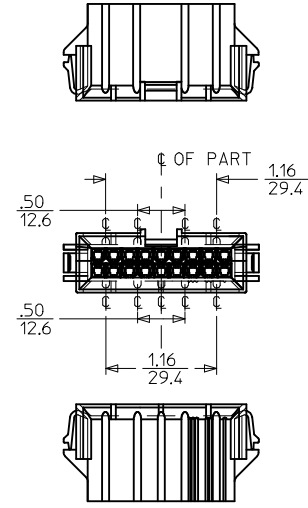
8 CIRCUIT



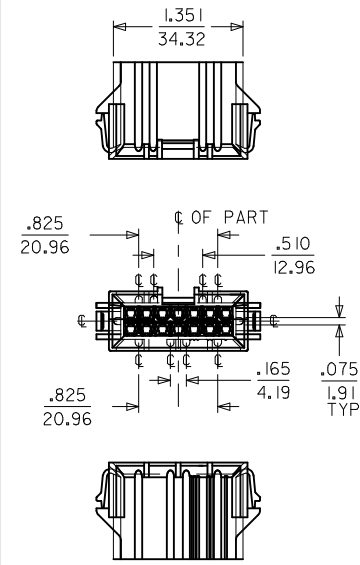
6 CIRCUIT



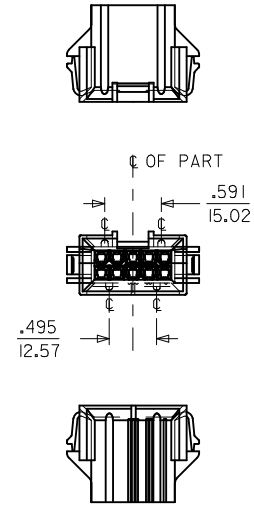
24 CIRCUIT



18 CIRCUIT



14 CIRCUIT



10 CIRCUIT

**NOTES:**

1) DIMENSIONS GIVEN ACROSS CENTERLINES ARE SYMMETRICAL ABOUT THOSE CENTERLINES WITHIN HALF THE TOTAL TOLERANCE.

SEE SHEET 1 EC NO: UCP2015-4971 DRAWN: SLAFTER 2016/04/01 CHKD: BELL 2016/04/01 APPR: FSMITH 2016/04/05	QUALITY SYMBOLS ∇=0 ∇=0 ∇=0
---	--------------------------------------

GENERAL TOLERANCES (UNLESS SPECIFIED) 4 PLACES ± --- ± --- 3 PLACES ± --- ± .010 2 PLACES ± 0.25 ± .015 1 PLACE ± 0.38 ± --- ANGULAR ± 1/2° DRAFT WHERE APPLICABLE MUST REMAIN WITHIN DIMENSIONS
--

DIMENSION STYLE IN/MM DRAWN BY: GEP CHECKED BY: RJF APPROVED BY: FSMITH DATE: 1989/07/18 DATE: 1989/07/18 DATE: 2011/09/02
---

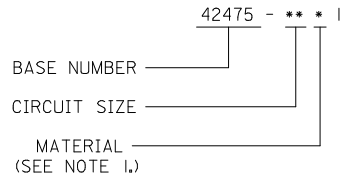
SCALE 1:1 DESIGN UNITS METRIC THIRD ANGLE PROJECTION TITLE: PLUG HOUSING B.M.I. 2-24 CIRCUITS MINI-FIT SERIES MATERIAL NO. SD-42475-***1 SHEET NO. 3 OF 4 THIS DRAWING CONTAINS INFORMATION THAT IS PROPRIETARY TO MOLEX INCORPORATED AND SHOULD NOT BE USED WITHOUT WRITTEN PERMISSION
---

	13	12	11	10	9	8	7	6	5	4	3	2	1
	PART NUMBER	ENG. NUMBER	CKT. SIZE	MATERIAL (SEE NOTE 1.)		PART NUMBER	CKT. SIZE	MATERIAL (SEE NOTE 1.)					
J	NOT TOOLED	42475-0211	2	1		NOT TOOLED	2	3					
	I5-06-0045	42475-0411	4	↑		42475-0431	4	↑					
	I5-06-0065	42475-0611	6			42475-0631	6						
	I5-06-0085	42475-0811	8			42475-0831	8						
I	I5-06-0105	42475-1011	10			42475-1031	10						
	NOT TOOLED	42475-1211	12			NOT TOOLED	12						
	I5-06-0145	42475-1411	14			42475-1431	14						
	NOT TOOLED	42475-1611	16			NOT TOOLED	16						
H	I5-06-0185	42475-1811	18			42475-1831	18						
O	I5-06-0205	42475-2011	20			O 42475-2031	20						
	NOT TOOLED	42475-2211	22	↓		NOT TOOLED	22	↓					
	I5-06-0245	42475-2411	24	1		42475-2431	24	3					
G													
	NOT TOOLED	42475-0221	2	2		NOT TOOLED	2	4					
	I5-06-0046	42475-0421	4	↑		42475-0441	4	↑					
	I5-06-0066	42475-0621	6			42475-0641	6						
F	50-36-2323	42475-0821	8			42475-0841	8						
	I5-06-0106	42475-1021	10			42475-1041	10						
	NOT TOOLED	42475-1221	12			NOT TOOLED	12						
	I5-06-0146	42475-1421	14			42475-1441	14						
E	NOT TOOLED	42475-1621	16			NOT TOOLED	16						
	I5-06-0186	42475-1821	18			42475-1841	18						
O	I5-06-0206	42475-2021	20			O 42475-2041	20						
	NOT TOOLED	42475-2221	22	↓		NOT TOOLED	22	↓					
D	I5-06-0246	42475-2421	24	2		42475-2441	24	4					

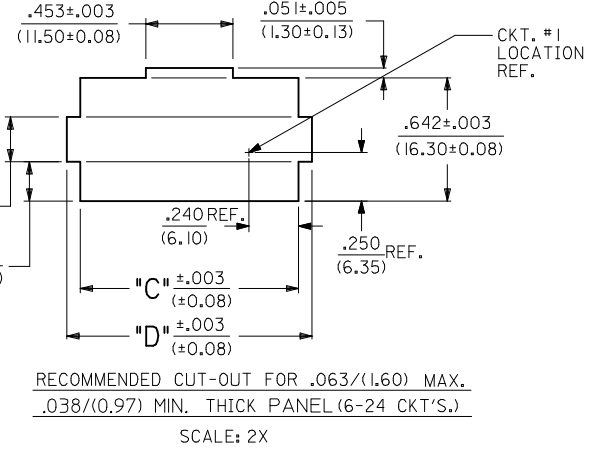
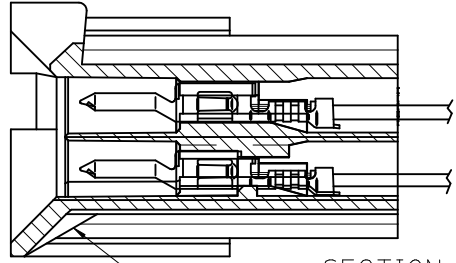
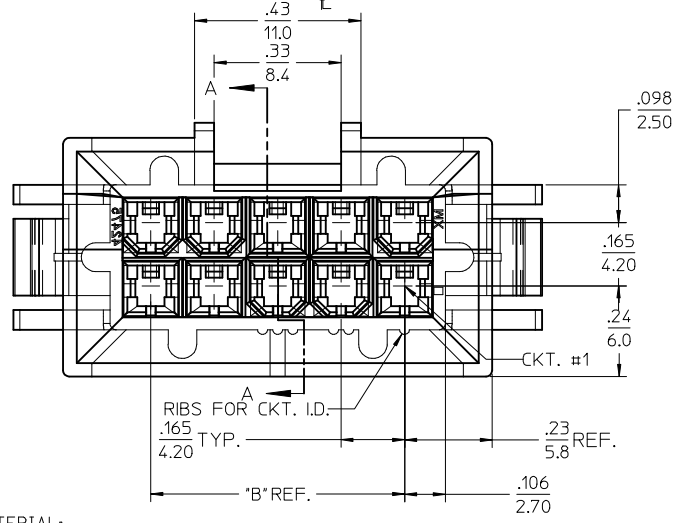
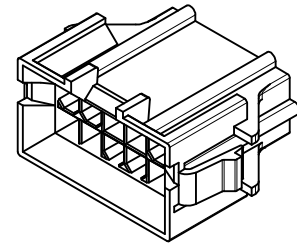
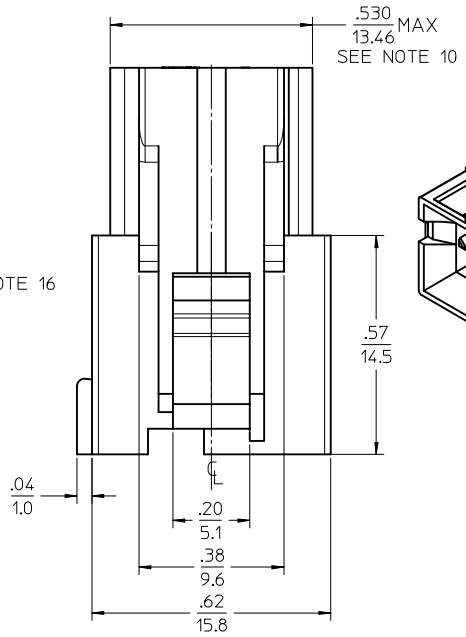
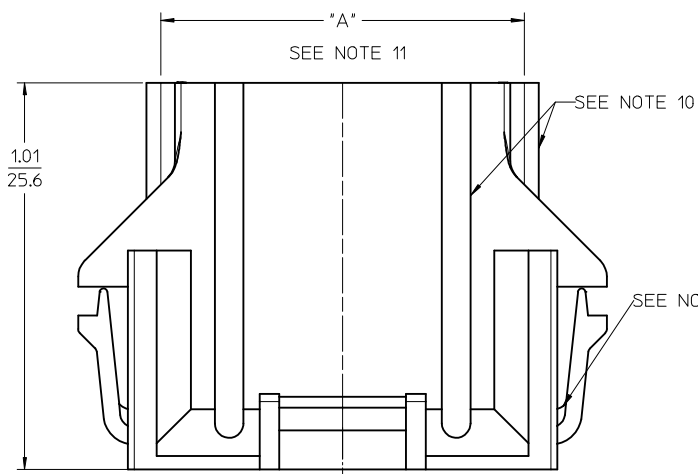
O = OBSOLETE

O = OBSOLETE

LEGEND:



SEE SHEET 1 EC NO: UCP2015-4971 DRWNS:LAFTER 2016/04/01 CHKD:JBELL 2016/04/01 APPR:FSMITH 2016/04/05	QUALITY SYMBOLS 	GENERAL TOLERANCES (UNLESS SPECIFIED)		DIMENSION STYLE IN/MM		SCALE 1:1	DESIGN UNITS METRIC	THIRD ANGLE PROJECTION		
			mm	INCH	DRAWN BY GEP	DATE 1989/07/18	TITLE <b>PLUG HOUSING B.M.I. 2-24 CIRCUITS MINI-FIT SERIES</b>			
		4 PLACES ± ---	± ---	3 PLACES ± ---	± .010	CHECKED BY RJF				
		2 PLACES ± 0.25	± .015	1 PLACE ± 0.38	± ---	APPROVED BY FSMITH		DATE 2011/09/02	<b>MOLEX INCORPORATED</b>	
ANGULAR ±1/2°		DRAFT WHERE APPLICABLE MUST REMAIN WITHIN DIMENSIONS		SEE CHART		DOCUMENT NO. SD-42475-***1		SHEET NO. 4 OF 4		
THIS DRAWING CONTAINS INFORMATION THAT IS PROPRIETARY TO MOLEX INCORPORATED AND SHOULD NOT BE USED WITHOUT WRITTEN PERMISSION										



CIRCUIT SIZE	DIM. "A"	DIM. "B"	DIM. "C"	DIM. "D"
6	.54 (13.8)	.33 (8.4)	.807 (20.50)	.945 (24.00)
8	.71 (18.0)	.50 (12.6)	.972 (24.70)	1.110 (28.20)
10	.87 (22.2)	.66 (16.8)	1.138 (28.90)	1.276 (32.40)
12	1.04 (26.4)	.83 (21.0)	1.303 (33.10)	1.441 (36.60)
14	1.20 (30.6)	.99 (25.2)	1.469 (37.30)	1.606 (40.80)
16	1.37 (34.8)	1.16 (29.4)	1.643 (41.50)	1.772 (45.00)
18	1.54 (39.0)	1.32 (33.6)	1.799 (45.70)	1.937 (49.20)
20	1.70 (43.2)	1.49 (37.8)	1.965 (49.90)	2.102 (53.40)
22	1.87 (47.4)	1.65 (42.0)	2.130 (54.10)	2.268 (57.60)
24	2.03 (51.6)	1.82 (46.2)	2.295 (58.30)	2.433 (61.80)

- NOTES:
- MATERIAL:
    - NYLON (PA6/6), UNFILLED, UL94 V-2, COLOR: NATURAL
    - NYLON (PA6/6), UNFILLED, UL94 V-0, COLOR: NATURAL (WHITE)
    - NYLON (PA6/6), UNFILLED, UL94 V-2, COLOR: BLACK
    - NYLON (PA6/6), UNFILLED, UL94 V-0, COLOR: BLACK
  - FINISH NOT APPLICABLE.
  - PRODUCT SPECIFICATION: PS-5556-002
  - PACKAGING SPECIFICATION: PK-42474-001
  - 6-24 CKT. PARTS MATE WITH MOLEX RECEPTACLES 5557, 42385 AND 42474. 2 AND 4 CKT. PARTS MATE WITH 42385 AND 42474 ONLY.
  - PART IS FOR USE WITH MALE TERMINAL #5558.
  - PART ALLOWS FOR UP TO .100/(2.54) MISALIGNMENT WITH MATING RECEPTACLE IN ANY DIRECTION. SEE MATING CONNECTOR DRAWINGS FOR SPECIFIC ALLOWANCES.
  - PANEL CUT-OUT TO BE PUNCHED IN THE SAME DIRECTION AS CONNECTOR INSERTION.
  - PART CONFORMS TO CLASS "B" REQUIREMENTS OF COSMETIC SPECIFICATION PS-45499-022.

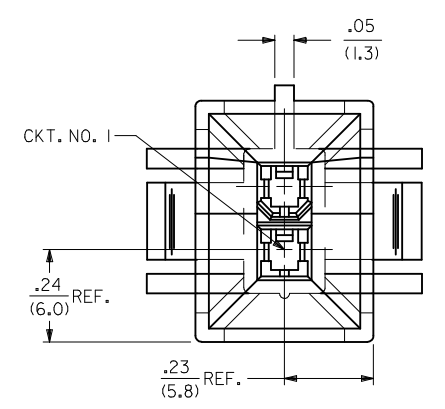
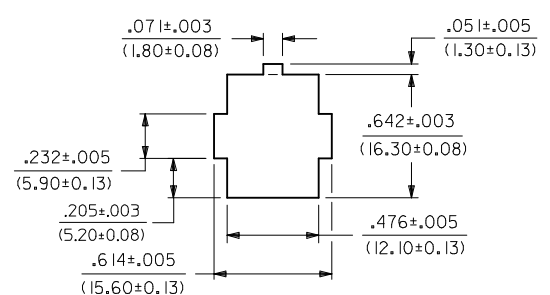
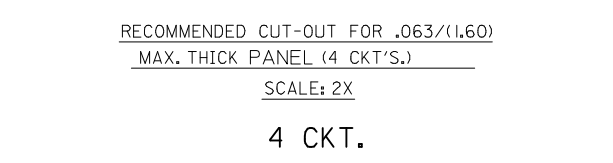
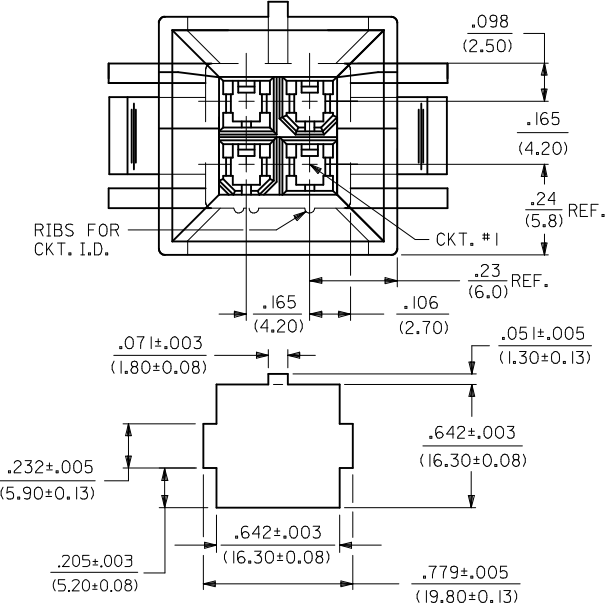
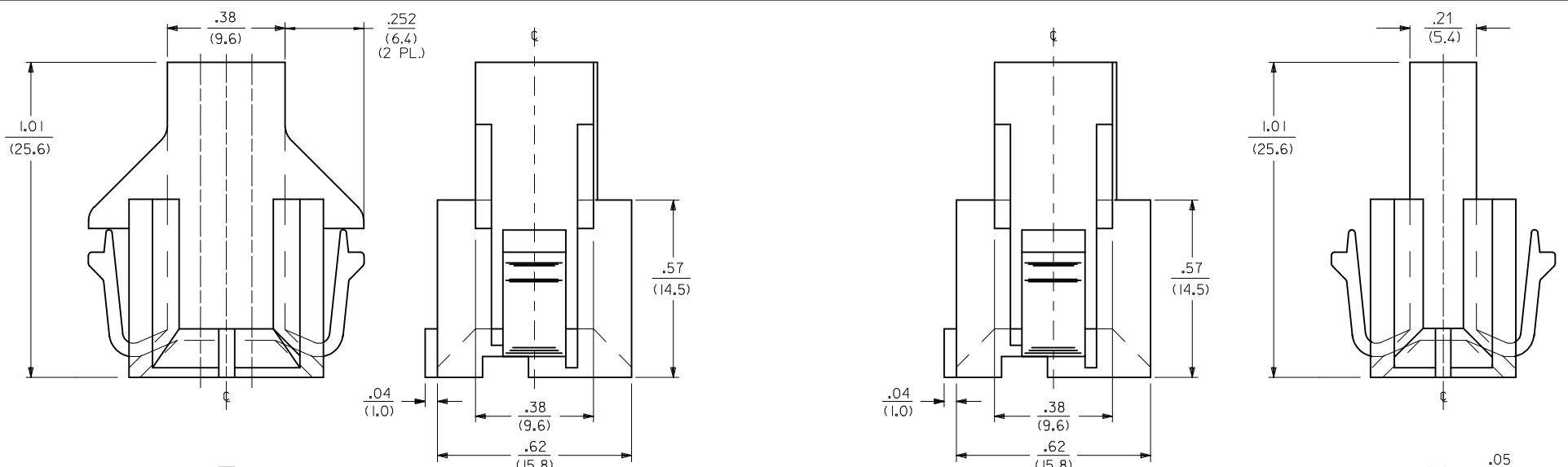
- FOR MANUFACTURING EASE PARTS MAY HAVE OPTIONAL EJECTOR RIBS. SEE SHT. 3 FOR LOCATION.
- DIMENSION DOES NOT INCLUDE EJECTOR RIBS (SEE PAGE #3 FOR PARTS WITH RIBS, RIB DIMENSIONS AND LOCATION).
- IF THIS PRODUCT IS STORED IN AN ENVIRONMENT WITH A RELATIVE HUMIDITY OF LESS THAN 50%, MOISTURE MUST BE ADDED. REFER TO TECHNICAL ADVISORY AS-45499-001 FOR INSTRUCTIONS.
- INTERIOR RIB LOCATION MAY VARY.

- CONNECTOR ASSEMBLIES ARE NOT TO BE MATED OR UNMATED WHILE CIRCUITS ARE LIVE.
- WIRES ARE TO BE DRESSED IN SUCH A MANNER TO ALLOW THE TERMINALS TO FLOAT FREELY IN THE POCKET.
- PARTS MAY HAVE OPTIONAL GUSSET

RECOMMENDED CUT-OUT FOR .063/(1.60) MAX., .038/(0.97) MIN. THICK PANEL (6-24 CKT.'S.)  
SCALE: 2X

SEE SHEET 2 FOR 2 & 4 CKT. PARTS

ADD MIN PANEL EC NO: UCP2015-4971 DRWNG: SLAFER CHKD: BELL APPR: FSMITH 2016/04/01 2016/04/01 2016/04/05	QUALITY SYMBOLS ▽=0 ▽=0 ▽=0	GENERAL TOLERANCES (UNLESS SPECIFIED)		DIMENSION STYLE		SCALE	DESIGN UNITS	THIRD ANGLE PROJECTION			
				IN/MM		4:1	METRIC	PLUG HOUSING B.M.I. 2-24 CIRCUITS MINI-FIT SERIES			
		DRAWN BY		DATE		TITILE		MOLEX INCORPORATED SD-42475-***1			
		CHECKED BY		DATE		MATERIAL NO.					
APPROVED BY		DATE		DOCUMENT NO.		SHEET NO.					
S14		REV		DRAFT WHERE APPLICABLE MUST REMAIN WITHIN DIMENSIONS		SEE SHEET 4		THIS DRAWING CONTAINS INFORMATION THAT IS PROPRIETARY TO MOLEX INCORPORATED AND SHOULD NOT BE USED WITHOUT WRITTEN PERMISSION			



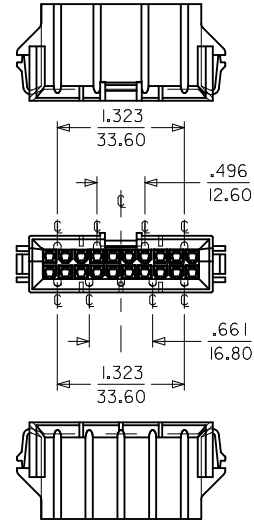
RECOMMENDED CUT-OUT FOR .063/(1.60)  
MAX. THICK PANEL (4 CKT'S.)  
SCALE: 2X

RECOMMENDED CUT-OUT FOR .063/(1.60)  
MAX. THICK PANEL #1 (2 CKT'S.)  
SCALE: 2X

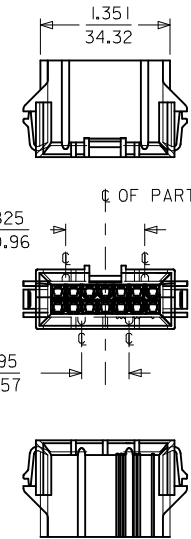
2 CKT.

4 CKT.

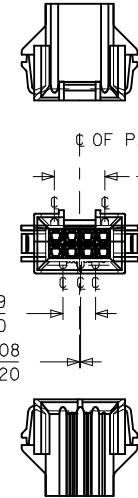
SEE SHEET 1 EC NO: UCP2015-4971 DRWNS:LAFTER 2016/04/01 CHKD:JBELL 2016/04/01 APPR:FSMITH 2016/04/05 S14	QUALITY SYMBOLS	GENERAL TOLERANCES (UNLESS SPECIFIED)	DIMENSION STYLE	SCALE	DESIGN UNITS	THIRD ANGLE PROJECTION
	▽=0	mm INCH	IN/MM	4:1	METRIC	
	▽=0	4 PLACES ± --- ± ---	DRAWN BY DATE	TITLE	PLUG HOUSING B.M.I. 2-24 CIRCUITS MINI-FIT SERIES	
	▽=0	3 PLACES ± --- ± .010	CHECKED BY DATE	MOLEX INCORPORATED		
		2 PLACES ± 0.25 ± .015	APPROVED BY DATE	SD-42475-***1		
		1 PLACE ± 0.38 ± ---	FMSMITH 2011/09/02	SHEET NO. 2 OF 4		
		ANGULAR ± 1/2°	MATERIAL NO.	THIS DRAWING CONTAINS INFORMATION THAT IS PROPRIETARY TO MOLEX INCORPORATED AND SHOULD NOT BE USED WITHOUT WRITTEN PERMISSION		
		DRAFT WHERE APPLICABLE MUST REMAIN WITHIN DIMENSIONS	SEE SHEET 4			



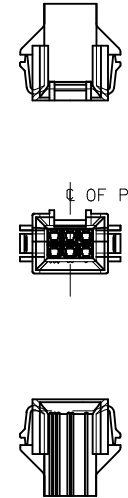
20 CIRCUIT



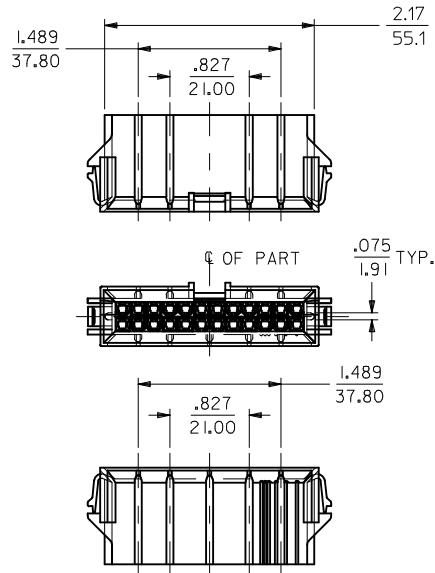
OR



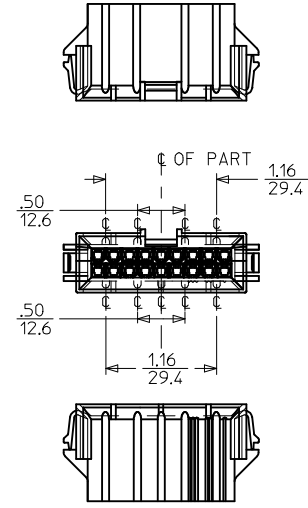
8 CIRCUIT



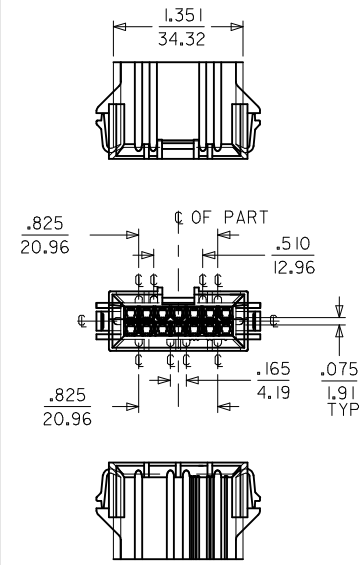
6 CIRCUIT



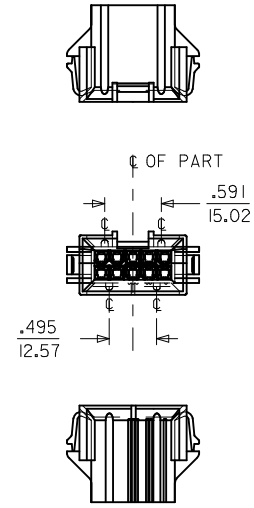
24 CIRCUIT



18 CIRCUIT



14 CIRCUIT



10 CIRCUIT

**NOTES:**

1) DIMENSIONS GIVEN ACROSS CENTERLINES ARE SYMMETRICAL ABOUT THOSE CENTERLINES WITHIN HALF THE TOTAL TOLERANCE.

SEE SHEET 1 EC NO: UCP2015-4971 DRAWN: SLAFTER 2016/04/01 CHKD: BELLE 2016/04/01 APPR: FSMITH 2016/04/05	QUALITY SYMBOLS ∇=0 ∇=0 ∇=0
--	--------------------------------------

GENERAL TOLERANCES (UNLESS SPECIFIED) 4 PLACES ± --- ± --- 3 PLACES ± --- ± .010 2 PLACES ± 0.25 ± .015 1 PLACE ± 0.38 ± --- ANGULAR ± 1/2° DRAFT WHERE APPLICABLE MUST REMAIN WITHIN DIMENSIONS
--

DIMENSION STYLE IN/MM DRAWN BY: GEP CHECKED BY: RJF APPROVED BY: FSMITH DATE: 1989/07/18 DATE: 1989/07/18 DATE: 2011/09/02
---

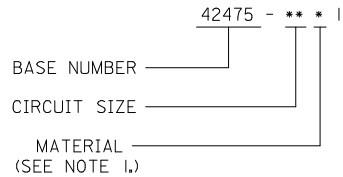
SCALE 1:1 DESIGN UNITS METRIC THIRD ANGLE PROJECTION TITLE: PLUG HOUSING B.M.I. 2-24 CIRCUITS MINI-FIT SERIES MATERIAL NO. SD-42475-***1 SHEET NO. 3 OF 4 THIS DRAWING CONTAINS INFORMATION THAT IS PROPRIETARY TO MOLEX INCORPORATED AND SHOULD NOT BE USED WITHOUT WRITTEN PERMISSION
---

	13	12	11	10	9	8	7	6	5	4	3	2	1
	PART NUMBER	ENG. NUMBER	CKT. SIZE	MATERIAL (SEE NOTE 1.)		PART NUMBER	CKT. SIZE	MATERIAL (SEE NOTE 1.)					
J	NOT TOOLED	42475-0211	2	1		NOT TOOLED	2	3					
	15-06-0045	42475-0411	4	↑		42475-0431	4	↑					
	15-06-0065	42475-0611	6			42475-0631	6						
	15-06-0085	42475-0811	8			42475-0831	8						
I	15-06-0105	42475-1011	10			42475-1031	10						
	NOT TOOLED	42475-1211	12			NOT TOOLED	12						
	15-06-0145	42475-1411	14			42475-1431	14						
	NOT TOOLED	42475-1611	16			NOT TOOLED	16						
H	15-06-0185	42475-1811	18			42475-1831	18						
O	15-06-0205	42475-2011	20			O 42475-2031	20						
	NOT TOOLED	42475-2211	22	↓		NOT TOOLED	22	↓					
	15-06-0245	42475-2411	24	1		42475-2431	24	3					
G													
	NOT TOOLED	42475-0221	2	2		NOT TOOLED	2	4					
	15-06-0046	42475-0421	4	↑		42475-0441	4	↑					
	15-06-0066	42475-0621	6			42475-0641	6						
F	50-36-2323	42475-0821	8			42475-0841	8						
	15-06-0106	42475-1021	10			42475-1041	10						
	NOT TOOLED	42475-1221	12			NOT TOOLED	12						
	15-06-0146	42475-1421	14			42475-1441	14						
E	NOT TOOLED	42475-1621	16			NOT TOOLED	16						
	15-06-0186	42475-1821	18			42475-1841	18						
O	15-06-0206	42475-2021	20			O 42475-2041	20						
	NOT TOOLED	42475-2221	22	↓		NOT TOOLED	22	↓					
D	15-06-0246	42475-2421	24	2		42475-2441	24	4					

O = OBSOLETE

O = OBSOLETE

LEGEND:



SEE SHEET 1 EC NO: UCP2015-4971 DRWNS:LAFTER 2016/04/01 CHKD:JBELL 2016/04/01 APPR:FSMITH 2016/04/05	QUALITY SYMBOLS	GENERAL TOLERANCES (UNLESS SPECIFIED)		DIMENSION STYLE <b>IN/MM</b>		SCALE <b>1:1</b>	DESIGN UNITS <b>METRIC</b>	THIRD ANGLE PROJECTION	
	▽=0	mm	INCH	DRAWN BY	DATE	<b>TITLE</b> PLUG HOUSING B.M.I. 2-24 CIRCUITS MINI-FIT SERIES			
	▽=0	4 PLACES ± ---	± ---	GEP	1989/07/18				
	▽=0	3 PLACES ± ---	± .010	CHECKED BY	DATE				
		2 PLACES ± 0.25	± .015	RJF	1989/07/18	<b>MATERIAL NO.</b> SEE CHART <b>DOCUMENT NO.</b> SD-42475-***1			
		1 PLACE ± 0.38	± ---	APPROVED BY	DATE				
		ANGULAR ±1/2°		FSMITH	2011/09/02	<b>SHEET NO.</b> 4 OF 4			
		DRAFT WHERE APPLICABLE MUST REMAIN WITHIN DIMENSIONS		THIS DRAWING CONTAINS INFORMATION THAT IS PROPRIETARY TO MOLEX INCORPORATED AND SHOULD NOT BE USED WITHOUT WRITTEN PERMISSION					