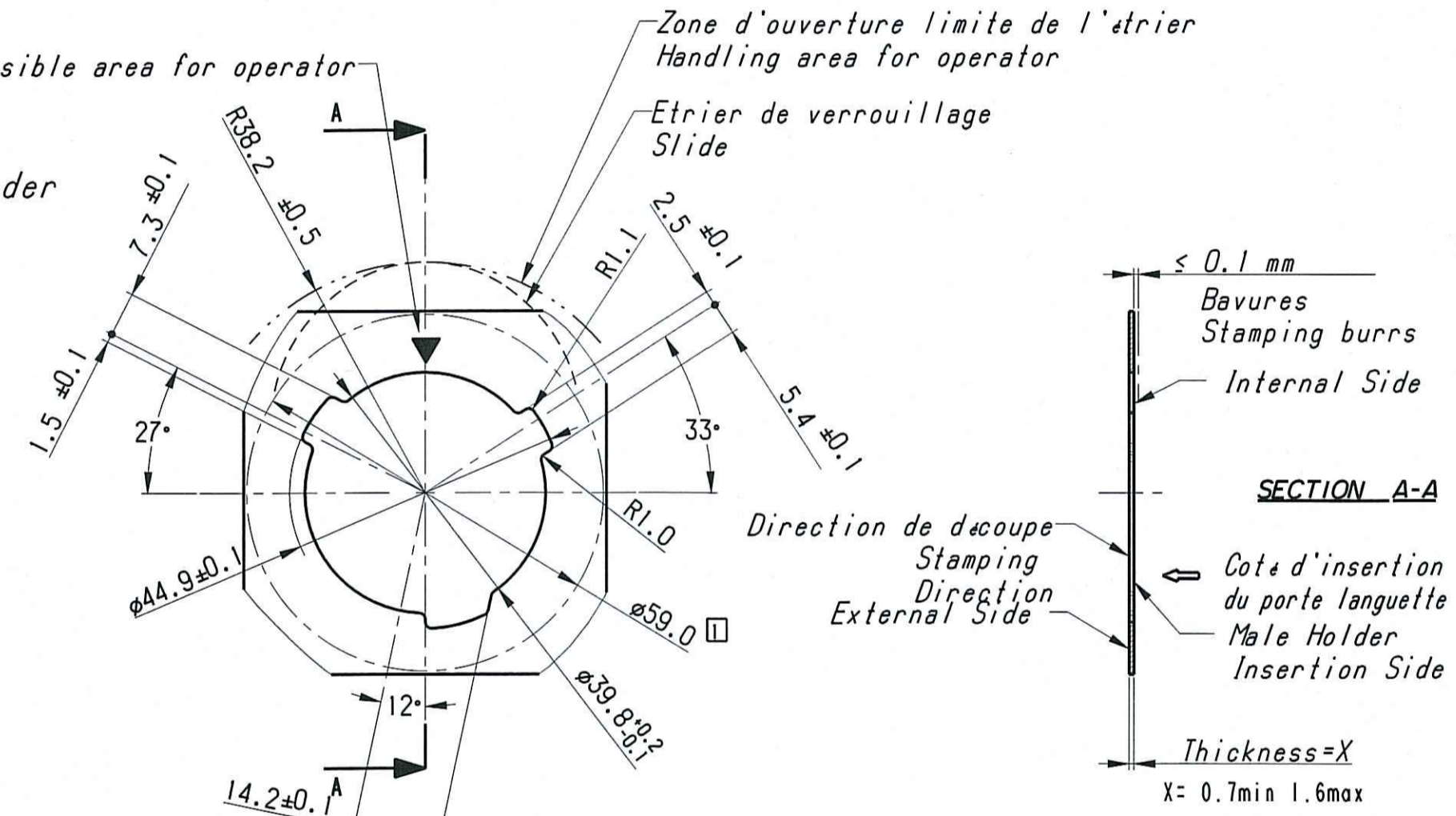
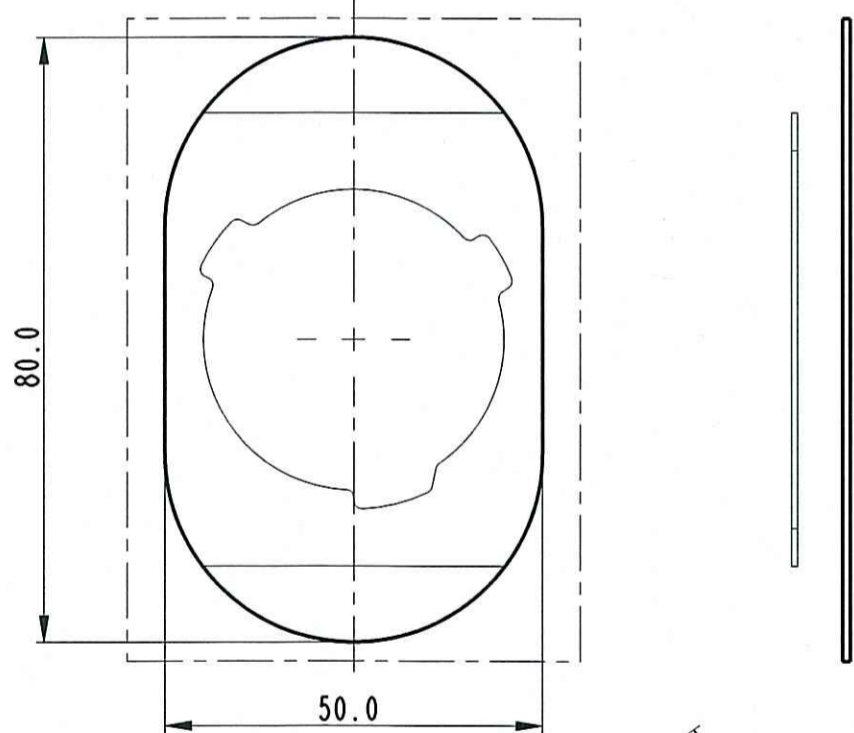


NOTE: Decoupe tole polarise e pour l'accrochage du porte languette

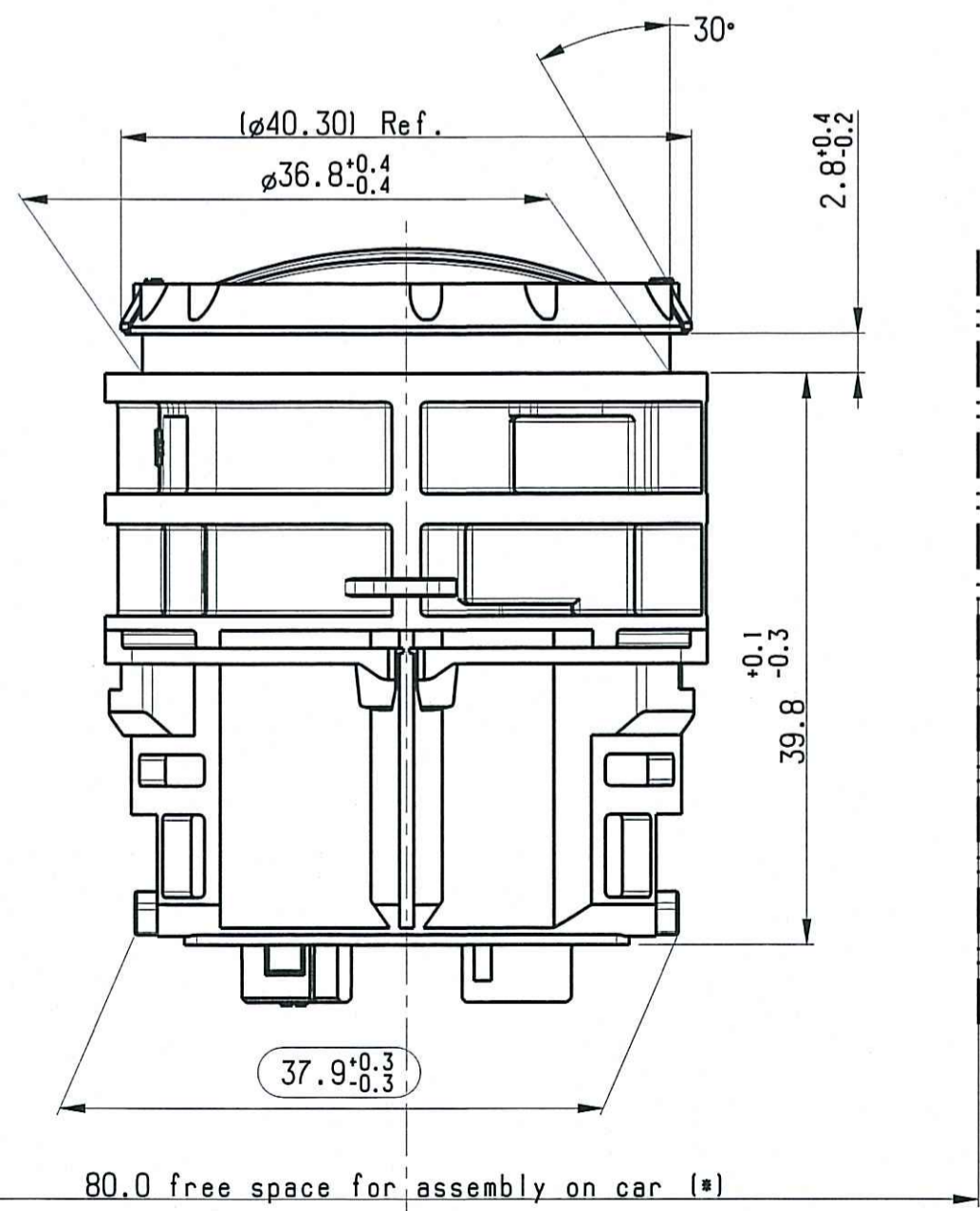
Detail: Free area on the back of Male Holder



○ CAPABILITY
 Cavity 1.5 in accordance with STE9628905099
 Cavity 2.8 in accordance with STE9628905099

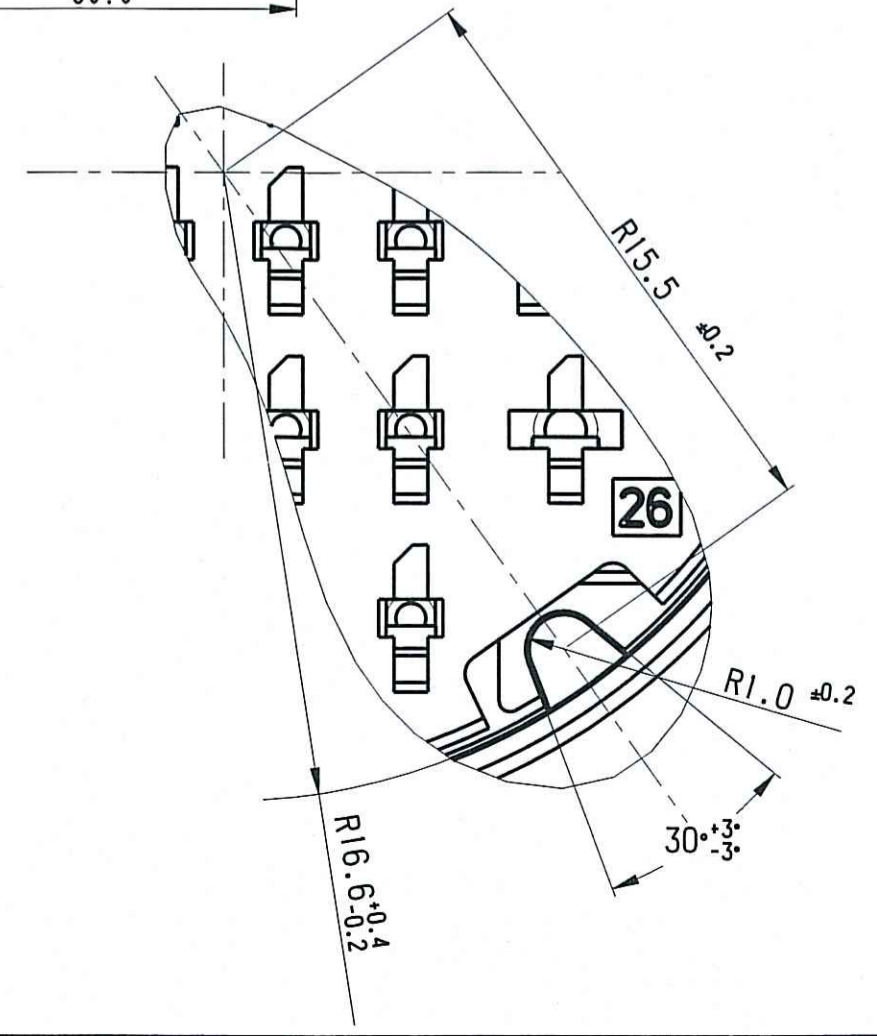
□ Clearance Area for External Gasket, after mating Male and Female Holder.
 - For use and mating operation : see spec. PU01734V

STRICTLY CONFIDENTIAL



(* For information

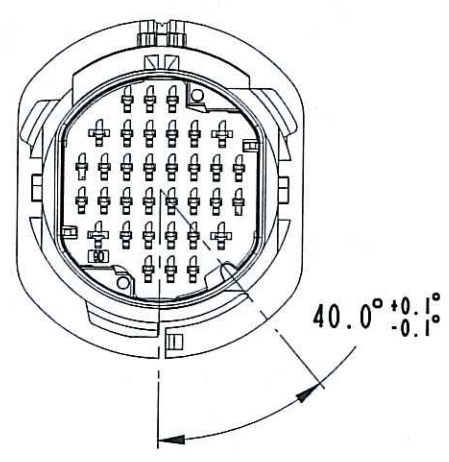
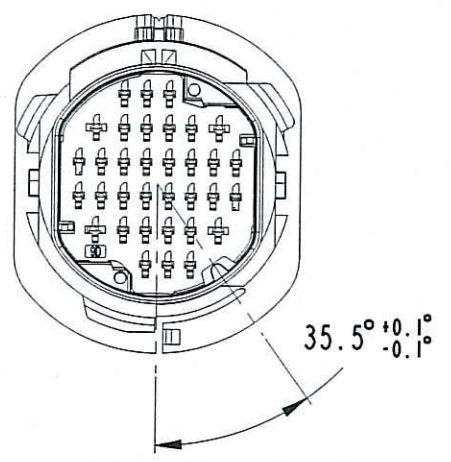
Note: Minimum external diameter authorized of wire :
 for 1.5 terminal = 1.40 mm. for 2.8 terminal = 1.75 mm



DETAIL X
 SCALE 5/1

03/11	10/02/11	09	-	ADDED DETAIL OF FIXING DEVICE (SHEET 2/2)	DXT	MYC
ECN-NO. NUMERO -ECN	DATE DD / MM / YY	REVISION REVISIONE	POSITION POSIZIONE	CHANGE DESCRIPTION DESCRIZIONE MODIFICA	DRAWN BY CHK. BY APPR. BY DISEGNATORE CONTROLLATO APPROVATO	
PRODUCT SPEC. SPEC. DI PRODOTTO	PACKAGING SPEC. SPEC. DI IMBALLAGGIO	APPLICATION SPEC. SPEC. DI APPLICAZIONE	THIS DRAWING AND ALL OTHER INFORMATION CONTAINED THEREIN IS PROPRIETARY AND THE PROPERTY OF FCI. This drawing may not be copied, reproduced or disclosed to any third party without the expressed written permission of FCI. QUESTO DISEGNO ED OGNI ALTRA INFORMAZIONE IN ESSO CONTENUTA SONO ESCLUSIVAMENTE DI PROPRIETA' DELLA FCI. Questo disegno non puo' essere copiato, riprodotto o divulgato a terzi senza l'espresso consenso scritto della FCI. © FCI April 1999			
TOLERANCES TOLLERANZE	± 0.1 mm. 1 ± 0.5°	MATERIAL : MATERIALE :	SURFACE FINISH FINITURA SUPERFICIALE			
COUNTERPART N°. CONTROPARTE N°.	COLOUR : COLORE :	see note				
DO NOT SCALE DRAWING DISEGNO FUORI SCALA	TOOL NO.	LOC. CODE NACIONALITA'	IT			
DRAWN BY DISEGNATORE	DATE DATA	NAME NOME	TITLE DESCRIZIONE			
CHECKED BY CONTROLLATO	18/4/01	F. Girard	DOOR TO BODY 34 WAYS ASSY MALE HOLDER			
APPROVED BY APPROVATO	18/4/01	PC. Bigottio	DRAWING NUMBER NUMERO DISEGNO			
ESR NO. NUMERO ESR	FRA 713	CAT. NO. NUMERO CAT.	see sheet 2/2			
FILE NAME NOME FILE			FSD309253			
CAD SYSTEM			150 PROJECTION PROIEZIONE ISO DIMENSION IN MILLIMETERS DIMENSIONI IN MILLIMETRI			
FCI			pro / eng. DWG SITE FORMATO A2			
DRAWING NUMBER NUMERO DISEGNO			FSD 309253			
SHEET FUSO			1 of 2			
SCALE SCALA			1:1			

BODY	211PLPA34BKDB	PA6 30 GF	BLACK	
	211PLPA34GYBDB	PA6 30 GF	GREY	
GROMMET STOP	211PLPE34BKADB	PBT NATURAL	BLACK	34 WAYS
	211PLPE1040RGDB	PBT NATURAL	ORANGE	14 WAYS
	211PLPE184BNCDB	PBT NATURAL	BROWN	22 WAYS
GROMMET	211PLSY34RDGR	SYLICON RUBBER	RED	
SEC. LOCK FRONT	211PLPE34YESLFB	PBT 10 GF	YELLOW	
SEC. LOCK REAR	211PLPE34YESLRB	PBT 10 GF	YELLOW	
DESCRIPTION	PART NUMBER	MATERIAL	COLOUR	



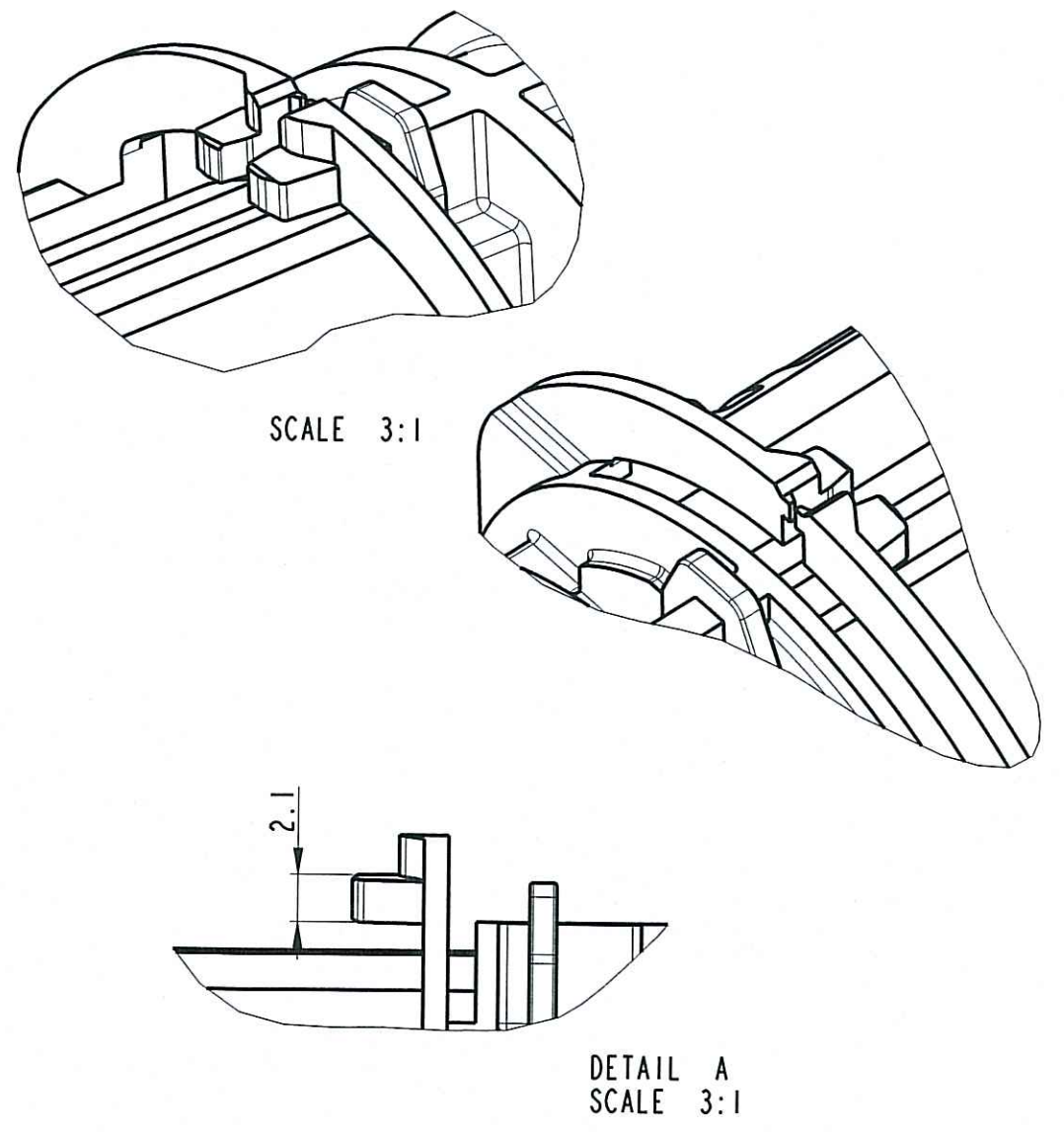
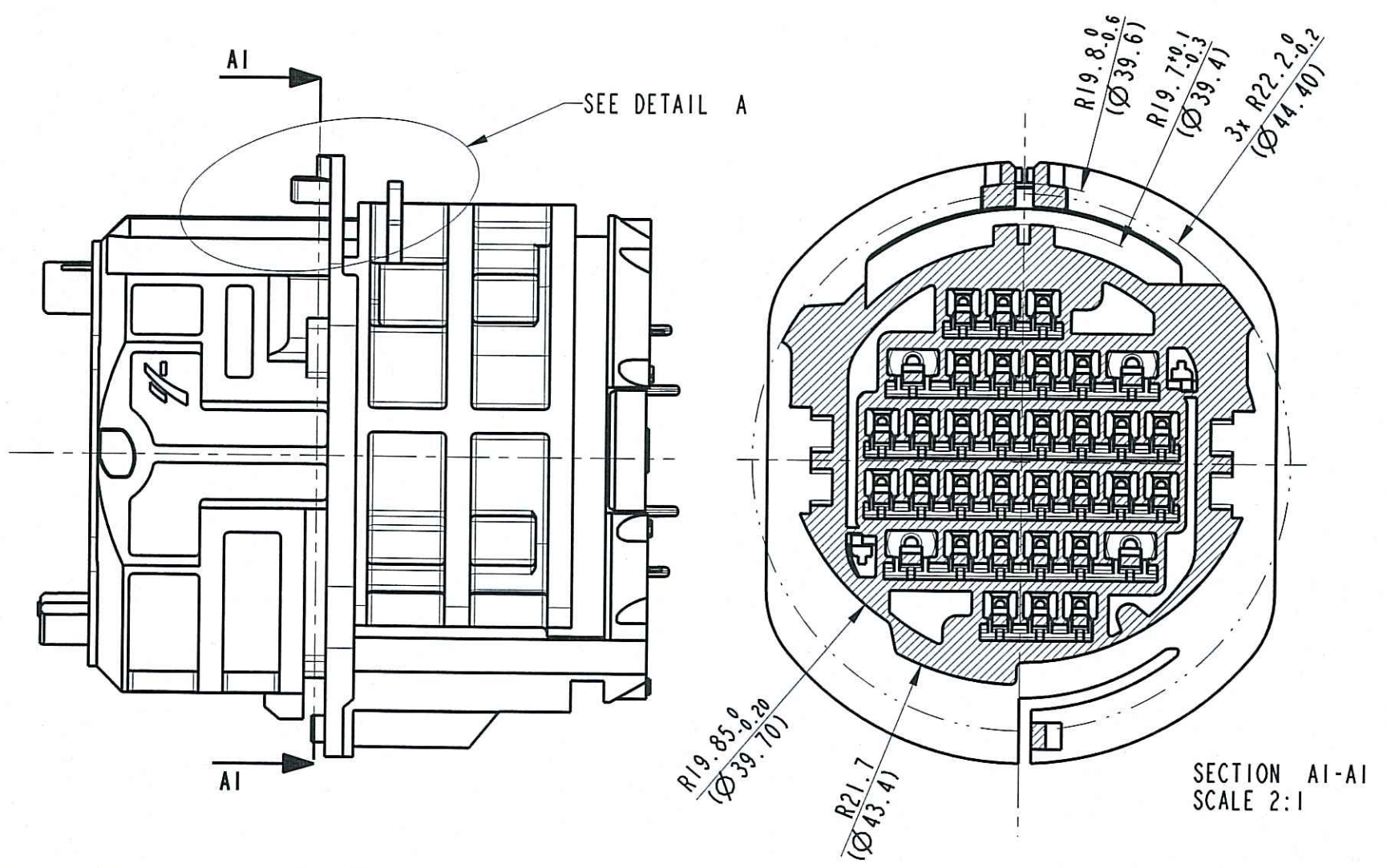
BLACK

GREY

34 WAYS	211 PL 34 9 S 0 033	211 PL 34 9 S 8 033
14 WAYS	211 PL 34 9 S 0 034	211 PL 34 9 S 8 034
22 WAYS	211 PL 34 9 S 0 035	211 PL 34 9 S 8 035

	34 WAYS	14 WAYS	22 WAYS
CAVITIES OPEN	ALL CAVITIES	3. 4. 5. 8. 9. 10. 17. 18 25. 26. 27. 30. 31. 32	1. 2. 3. 4. 5. 8. 9. 10. 11 16. 17. 18. 19. 24. 25. 26 27. 30. 31. 32. 33. 34

FIXING DEVICE TO METAL PART



- ALVEOLE SUIVANT STE 9630196299
- POSITION ALVEOLE SUIVANT STE 9638439099
- CONDITIONNEMENT SUIVANT NORME E7303150G
- MASS DU PRODUIT LIVRABLE =45 gr.
- PRODUCT IN ACCORDANCE WITH 9638438999

CONNETIQUE SICMA

STRICTLY CONFIDENTIAL

03/11	10/02/11	09	ADDED DETAIL OF FIXING DEVICE (SHEET 2/2)	
ECN-NO. DATA	DATE DD/MM/YY	REVISION REVISIONE	POSITION POSITIONE	CHANGE DESCRIPTION DESCRIZIONE MODIFICA
see note		see note		
<p>PRODUCT SPEC. SPEC. DI PRODOTTO</p> <p>PACKAGING SPEC. SPEC. DI IMBALLAGGIO</p> <p>APPLICATION SPEC. SPEC. DI APPLICAZIONE</p> <p>THIS DRAWING AND ALL OTHER INFORMATION CONTAINED THEREIN IS PROPRIETARY AND THE PROPERTY OF FCI. This drawing may not be copied, reproduced or disclosed to any third party without the expressed written permission of FCI.</p> <p>QUESTO DISEGNO ED OGNI ALTRA INFORMAZIONE IN ESSO CONTENUTA SONO ESCLUSIVI E DI PROPRIETA' DELLA FCI. Questo disegno non puo' essere copiato, riprodotto o divulgato a terzi senza il espresso consenso scritto della FCI.</p> <p>© FCI April 1999</p>				
TOLERANCES TOLLERANZE	± 0.1 mm. / ± 0.5	MATERIAL : MATERIALE	see note	SURFACE FINISH FINITURA SUPERFICIALE
DO NOT SCALE DRAWING DISEGNO FUORI SCALA		LOC. CODE NAZIONALITA'	F	
DRAWN BY DISEGNATORE	18/4/01	F. Girard		
CHECKED BY CONTROLLATO	18/4/01	PC. Bigollo		
APPROVED BY APPROVATO				
DRAWING NUMBER NUMERO DISEGNO		FSD 309253		
DRAWN BY DISEGNATORE		FRA 713		
CHECKED BY CONTROLLATO		see table		
APPROVED BY APPROVATO		FSD309253		
DRAWING NUMBER NUMERO DISEGNO		FSD 309253		
DRAWN BY DISEGNATORE		FRA 713		
CHECKED BY CONTROLLATO		see table		
APPROVED BY APPROVATO		FSD309253		

DOOR TO BODY 34 WAYS ASSY MALE HOLDER

FSD 309253

SCALE 1:1

Mouser Electronics

Authorized Distributor

Click to View Pricing, Inventory, Delivery & Lifecycle Information:

[Aptiv:](#)

[211PL349S0033](#) [211PL349S0033-B](#)