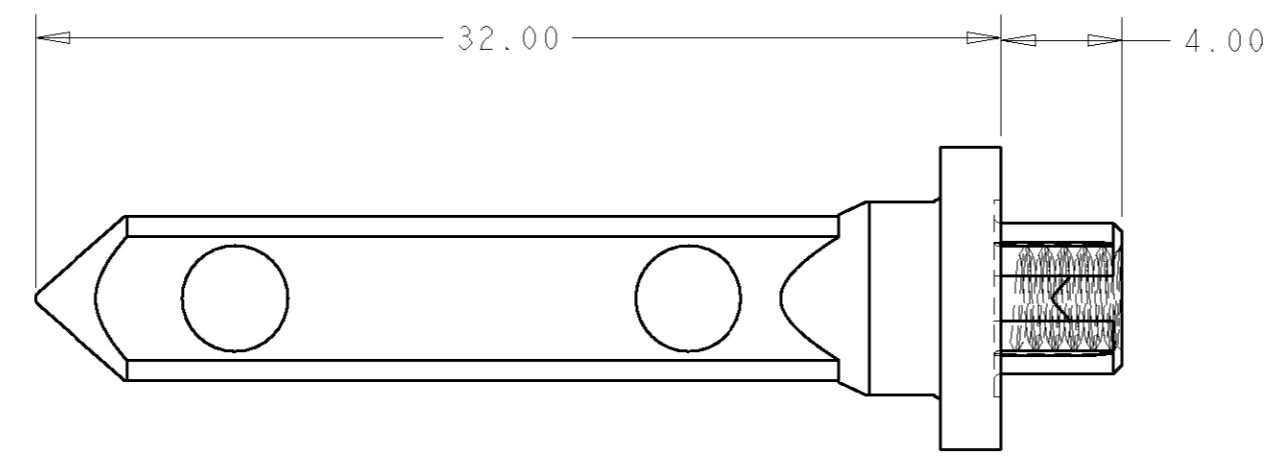
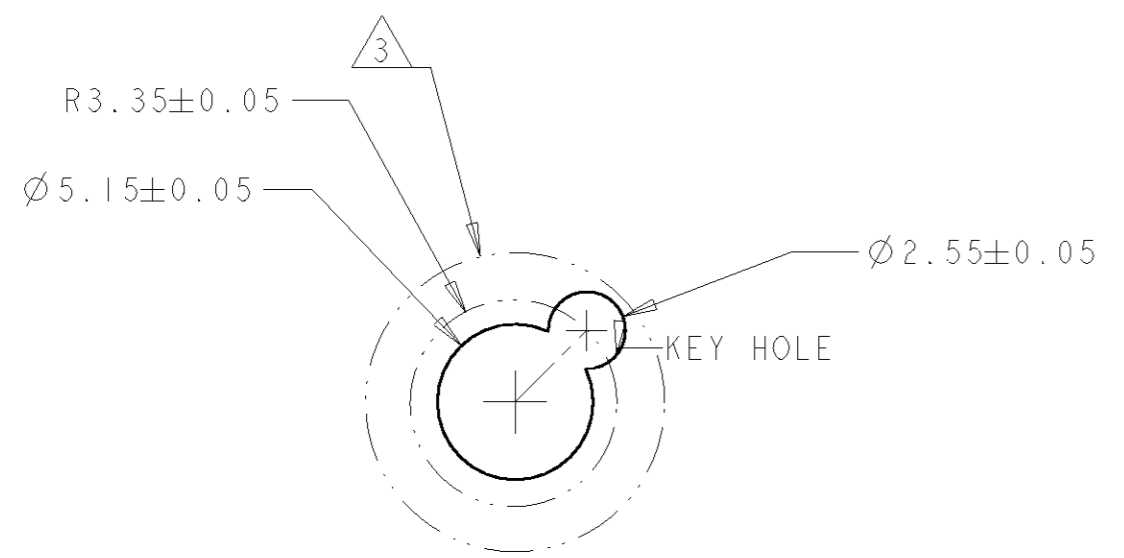
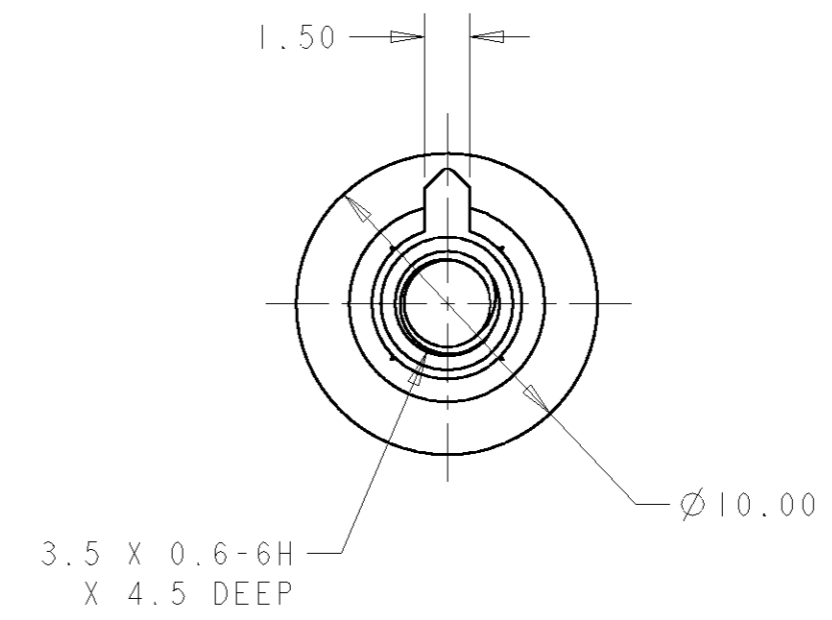
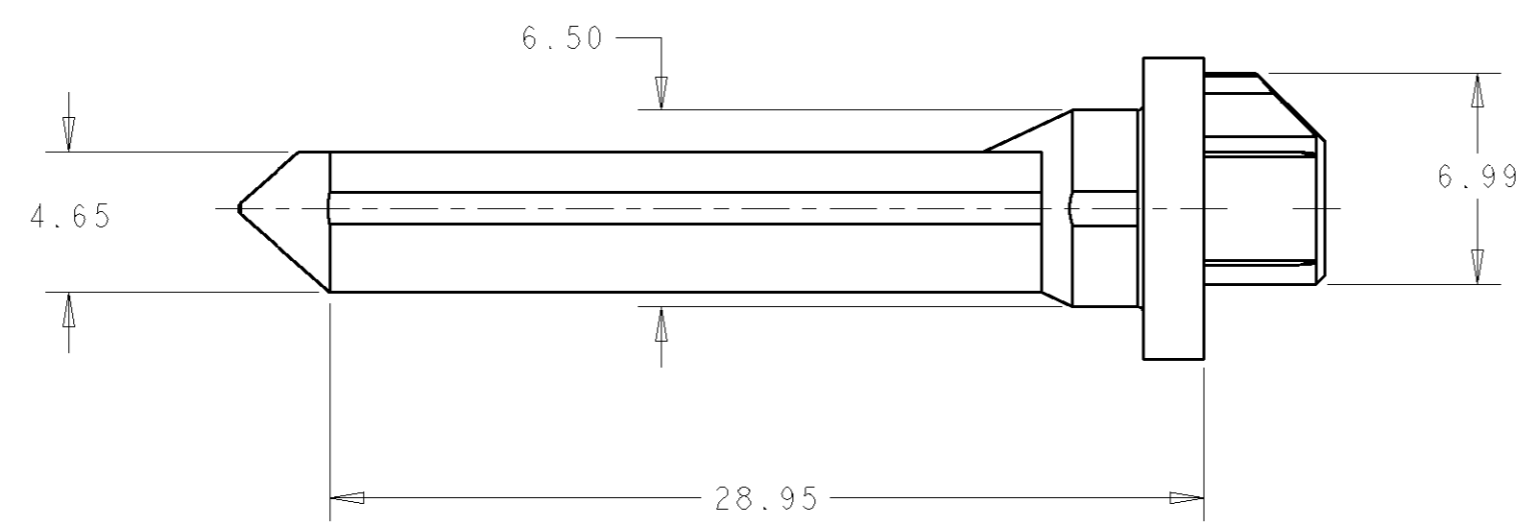
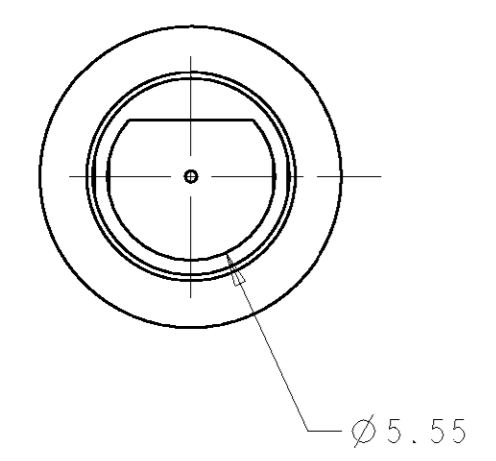


THIS DRAWING IS UNPUBLISHED. RELEASED FOR PUBLICATION 20  
 © COPYRIGHT 20 BY TYCO ELECTRONICS CORPORATION. ALL RIGHTS RESERVED.

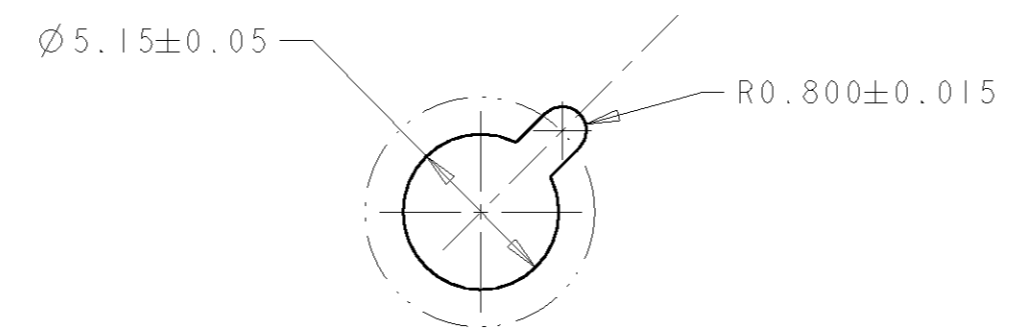
LOC	DIST	REVISIONS			
P	LTR	DESCRIPTION	DATE	DWN	APVD
AD	00	A	REV PER EC 0S12-0319-05	16JUN2005	BC GG



- 1 MATERIAL: ZINC ALLOY
- 2 FINISH: NICKEL OVER COPPER.
- 3 OPTIONAL ANNULAR RING MAY BE PLATED AROUND GUIDE PIN MOUNTING HOLE ON BOTTOM SIDE OF BOARD



TIER 1  
GUIDE PIN FOOTPRINT  
(20.3 & 25.4mm SIGNAL MODULES)  
SCALE 4:1



ALTERNATE PCB LAYOUT  
FOR GUIDE POST  
SCALE 4:1

2	1410477-1	1410477-2
-	1	1410477-1
FINISH	MATERIAL	PART NUMBER

<small>THIS DRAWING IS A CONTROLLED DOCUMENT FOR TYCO ELECTRONICS CORPORATION. IT IS SUBJECT TO CHANGE AND THE CONTROLLING ENGINEERING ORGANIZATION SHOULD BE CONTACTED FOR THE LATEST REVISION.</small>		DWN B. CARBO 16 JUN 2005 CHK G. GRIFFITH 16 JUN 2005 APVD G. GRIFFITH 16 JUN 2005	<b>tyco</b> Tyco Electronics <b>Electronics</b> Harrisburg, PA 17105-3608
DIMENSIONS: mm 	TOLERANCES UNLESS OTHERWISE SPECIFIED: 0 PLC ± 1 PLC ±0.5 2 PLC ±0.13 3 PLC ±0.013 4 PLC ±0.0001 ANGLES ±0°30'	PRODUCT SPEC - APPLICATION SPEC 114-13056 WEIGHT - CUSTOMER DRAWING	NAME KEYED GUIDE PIN MULTIGIG BACKPLANE CONNECTOR SIZE A2 CAGE CODE 00779 DRAWING NO. 1410477 RESTRICTED TO - SCALE 4:1 SHEET 1 OF 1 REV A

# Mouser Electronics

Authorized Distributor

Click to View Pricing, Inventory, Delivery & Lifecycle Information:

[TE Connectivity:](#)

[1410477-2](#)