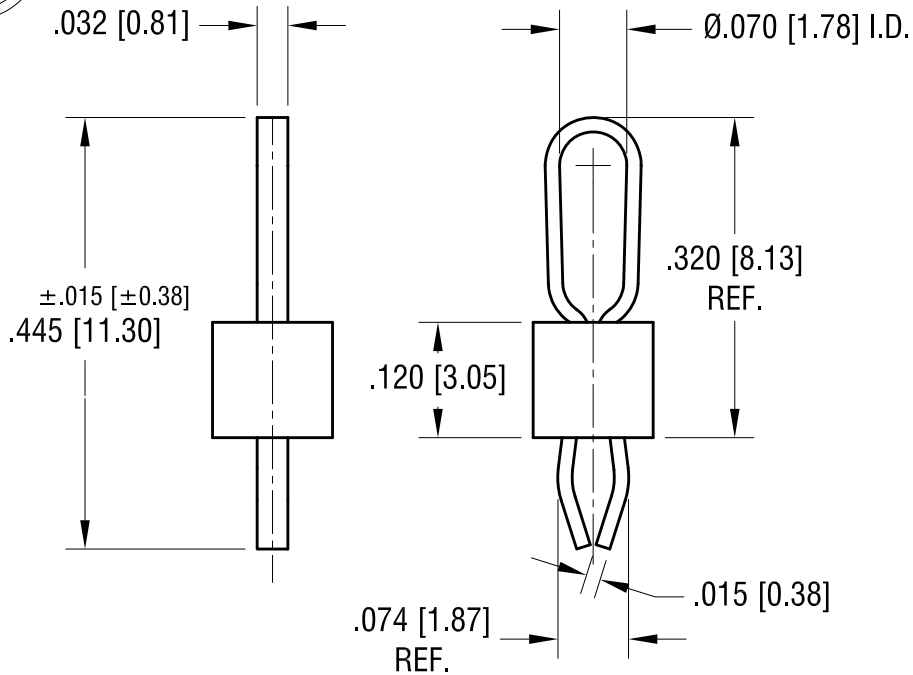
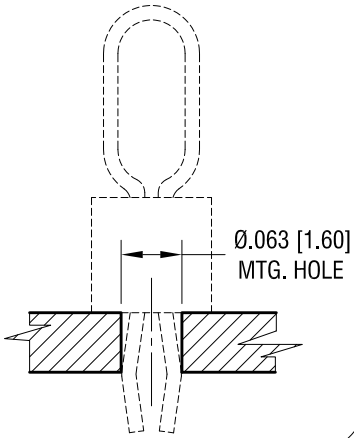


THIS DOCUMENT IS THE PROPERTY OF KEYSTONE ELECTRONICS CORP. AND SHALL NOT BE REPRODUCED, DISTRIBUTED OR USED AS A BASIS FOR MANUFACTURE WITHOUT PRIOR WRITTEN PERMISSION FROM KEYSTONE ELECTRONICS CORP.

**ACTUAL SIZE**



**MTG. DETAIL**



**NOTES:**

**1. TERMINAL:**

MAT'L - PHOSPHOR BRONZE WIRE

**BASE:**

MAT'L - HEAT RESISTANT NYLON 46  
COLOR-ORANGE

DATE	DESCRIPTION	REV.
12.30.13	CHANGE AS PER ECN 13-121	F
4.03.09	CHANGE AS PER ECN 09-027	E
10.10.08	CHANGE AS PER ECN 08-170	D
8.17.06	CHANGE AS PER ECN 06-045	C
1.23.06	CHANGE AS PER ECN 06-009	B

<b>KEYSTONE ELECTRONICS CORP.</b>			
www.keyelco.com • ASTORIA, N.Y. 11105-2017 • Tel (718) 956-8900			
PART NAME		PC TEST POINT - MULTIPURPOSE	
MATERIAL		AS NOTED	
FINISH	SILVER PLATE	DRN BY	BOONE
		APP'D	LN
		DATE	6.19.95
		SCALE	5X
TOLERANCES	INCH [MM]	CODE	DWG NO.
DECIMAL	± .005 [± 0.15]	C	<b>5013</b>
ANGULAR	± 1°		
UNLESS OTHERWISE SPECIFIED			

# Mouser Electronics

Authorized Distributor

Click to View Pricing, Inventory, Delivery & Lifecycle Information:

[Keystone Electronics:](#)

[5013](#)