

MICRO SWITCH
a Honeywell Division

FED. MF6 CODE 91929

SWITCH - BASIC

CATALOG LISTING

YA-2RQ1250-A2

ADG9219

CATALOG LISTING

YA-2RQ1250-A2

PAGE 1 OF 1

M

ISSUE 5

REPLACES X114681-YA

RELEASE NO. 207278

CHECK

01OCT09

CMH

01OCT09

27 JAN 03

S A V

CHECK

27 JAN 03

S A V

CHECK

27 JAN 03

S A V

CHECK

27 JAN 03

S A V

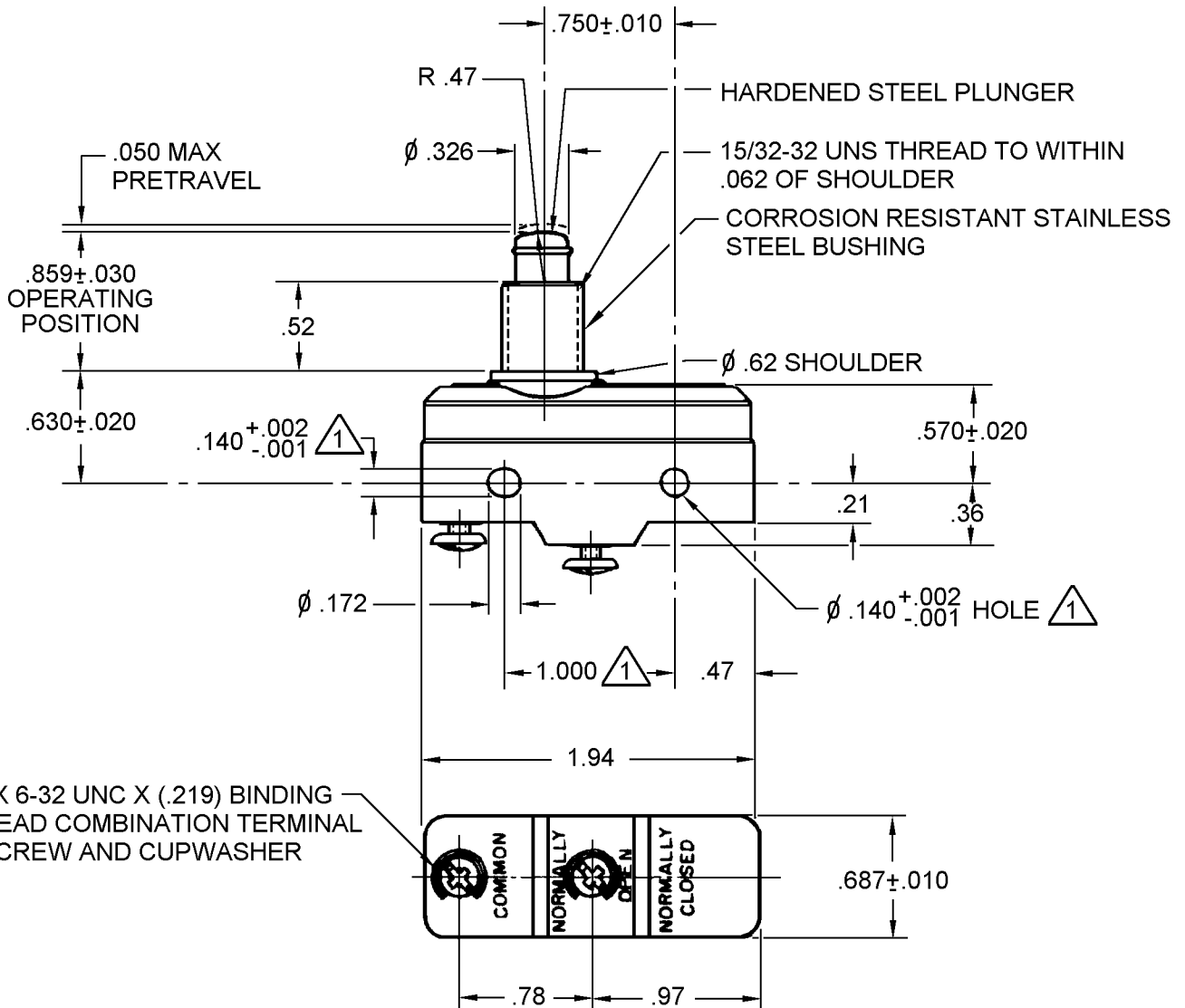
CHECK

27 JAN 03

S A V

CHECK

REVISIONS	CHECK	DATE
A 207614 CSL 10 MAR 03	01OCT09	
B 207734 CSL 24 MAR 03	CMH	
C 0017742 TSG 09 JAN 06	CMH	
D 0057238 SSK 01OCT09	CMH	



2X 6-32 UNC X (.219) BINDING HEAD COMBINATION TERMINAL SCREW AND CUPWASHER

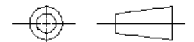
NOTES

- ① MOUNTING HOLES WILL ACCEPT PINS OR SCREWS OF $\phi .139$ MAX ON $1.000 \pm .002$ CENTERS
- 2 - HIGH TEMPERATURE PHENOLICS
- 3 - SWITCH WILL WITHSTAND TEMPERATURE OF 250°F

ANSI Y14.5M-1982 APPLIES

THIS DRAWING COVERS A PROPRIETARY ITEM AND IS THE PROPERTY OF MICRO SWITCH, A DIVISION OF HONEYWELL. THIS DRAWING IS NOT TO BE COPIED OR USED WITHOUT THE APPROVAL OF MICRO SWITCH.

THIRD ANGLE PROJECTION



CHARACTERISTICS	ELECTRICAL DATA	SCALE FULL	DO NOT SCALE PRINT
OPERATING FORCE ----- 14 - 22 OZ	CONTACT ARRANGEMENT S P N O	UNLESS OTHERWISE SPECIFIED TOLERANCES ARE	
RELEASE FORCE ----- 10 OZ MIN	L23 20A 125, 250 OR 480 VAC 10A 125 VAC "L"	ONE PLACE (.0) ±.030	
DIFFERENTIAL TRAVEL ----- .002 - .0075	1HP 125 VAC, 2HP 250 VAC	TWO PLACE (.00) ±.015	
OVERTRAVEL ----- .219 MIN	1/2A 125 VDC, 1/4A 250 VDC	THREE PLACE (.000) ±.005	
	L288 L308 L315 L319	ANGLES ±	
	CE EN05 RL H	WEIGHT	
	20(3)A 250V T85 5E4		

RASTER

DRAWN

C S L

27 JAN 03

Mouser Electronics

Authorized Distributor

Click to View Pricing, Inventory, Delivery & Lifecycle Information:

[Honeywell:](#)

[YA-2RQ1250-A2](#)