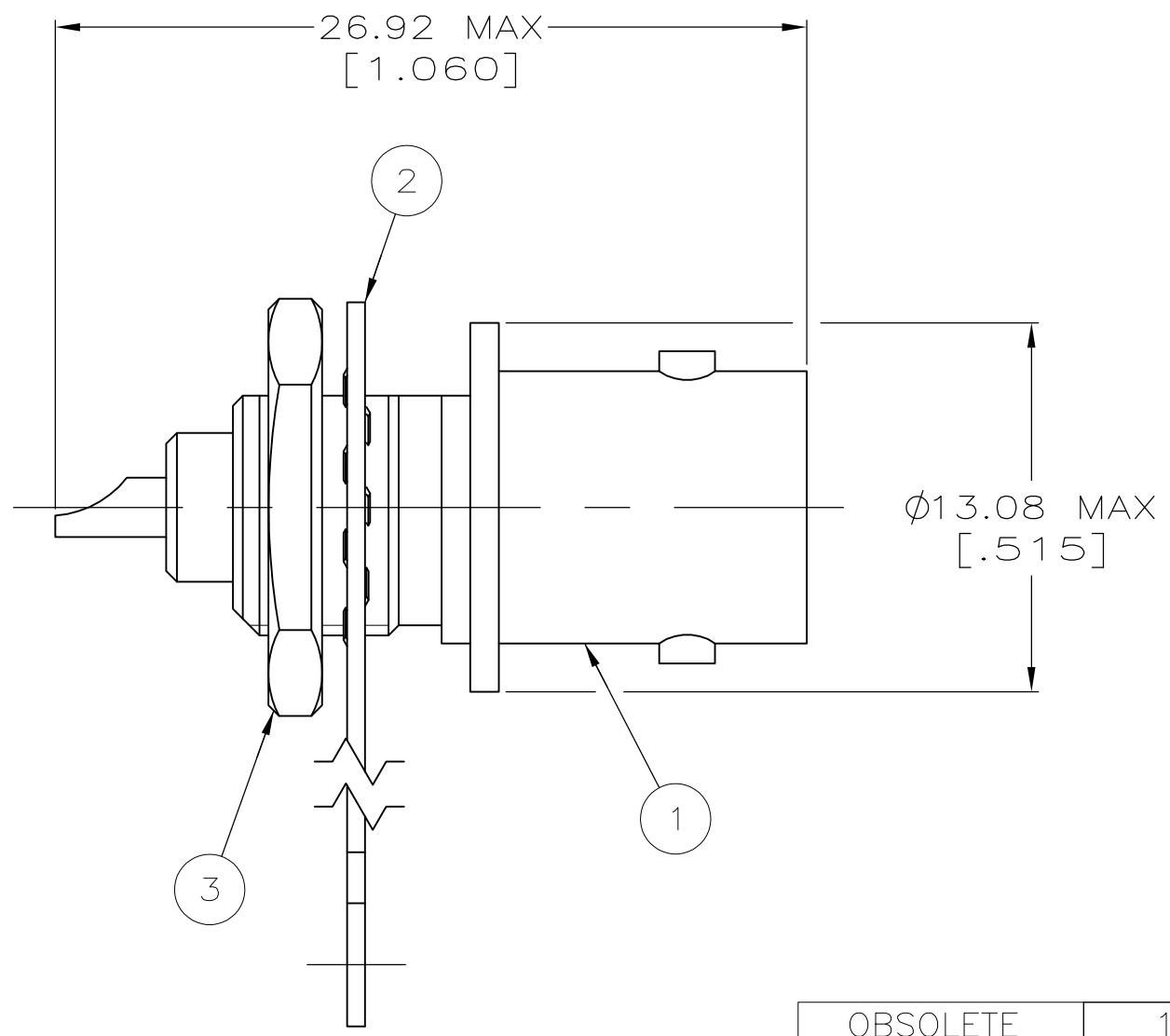
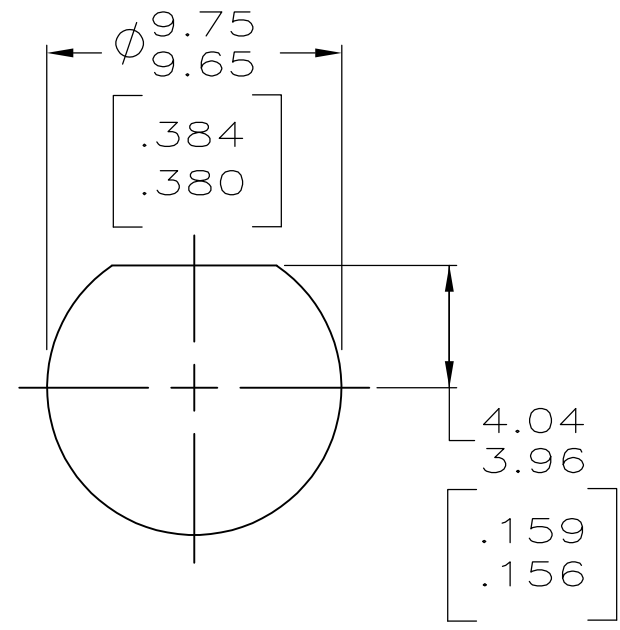


THIS DRAWING IS UNPUBLISHED. RELEASED FOR PUBLICATION
 © COPYRIGHT - By - ALL RIGHTS RESERVED.

LOC	DIST	REVISIONS					
AJ	16	P	LTR	DESCRIPTION	DATE	DWN	APVD
			D2	REVISED PER ECO-11-005030	11MAR11	RK	HMR



1. .125 MAX PANEL THICKNESS.



RECOMMENDED PANEL CUTOUT

OBSOLETE	1-330249-1	9-227260-0	227756-3	227755-3		
	1-330249-1	9-227260-0	227756-2	227755-2		
	1-330249-1	9-227260-0	227756-1	227755-1		
3	JAM NUT QTY=1	2	LOCKWASHER, TERMINAL QTY=1	1	JACK ASSY QTY=1	PART NUMBER

THIS DRAWING IS A CONTROLLED DOCUMENT.		DWN J. LIPPERT 6-3-94	STE TE Connectivity	
DIMENSIONS: INCHES		CHK M. TOMCHAK 6-3-94		
TOLERANCES UNLESS OTHERWISE SPECIFIED:		APVD M. TOMCHAK 6-3-94	NAME SOLDER JACK, 50 OHM, SERIES BNC	
0 PLC ± -		PRODUCT SPEC 108-12079	RESTRICTED TO	
1 PLC ± -		APPLICATION SPEC	SIZE	CAGE CODE
2 PLC ± -		WEIGHT	A3	00779
3 PLC ± -		RESTRICTED CUSTOMER	DRAWING NO C-227755	
4 PLC ± -			SCALE	SHEET
ANGLES ± -			4:1	1 OF 1
FINISH			REV	D2

Mouser Electronics

Authorized Distributor

Click to View Pricing, Inventory, Delivery & Lifecycle Information:

[TE Connectivity:](#)

[227755-1](#)