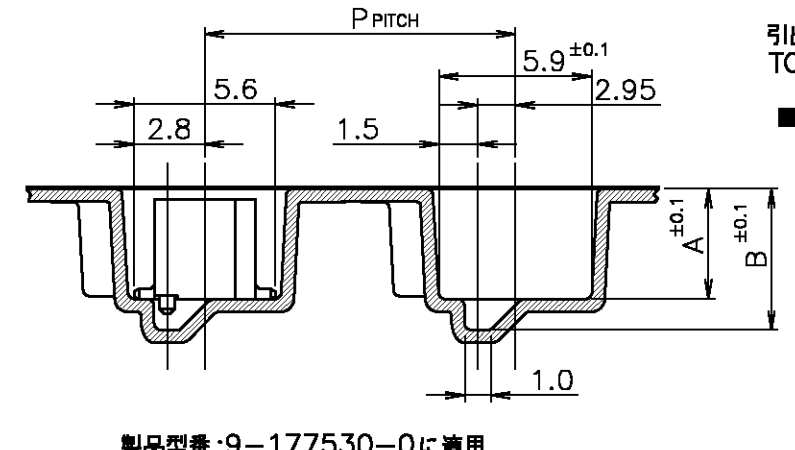
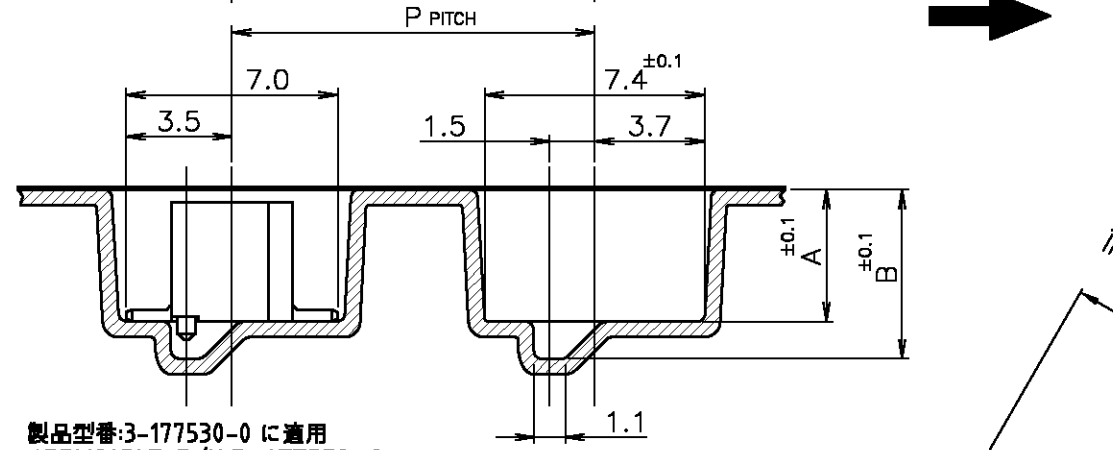
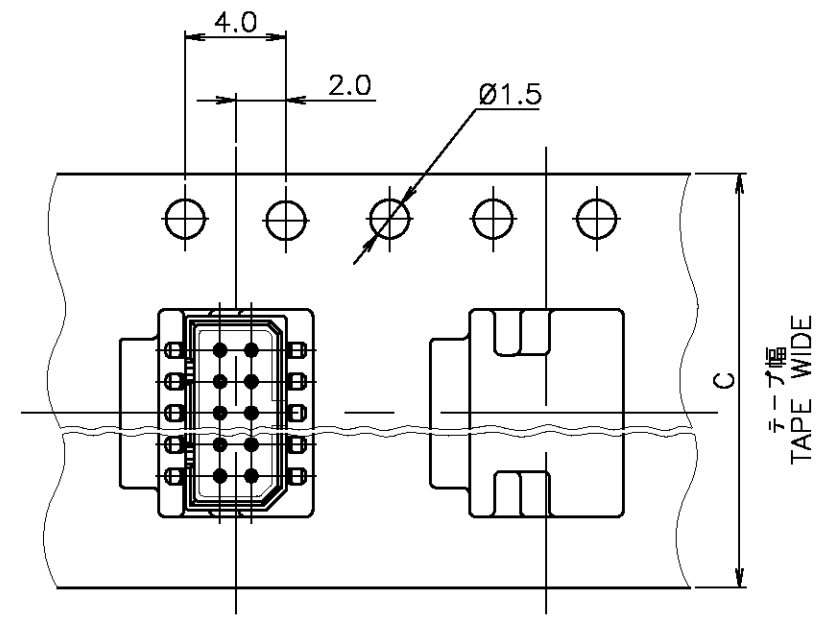
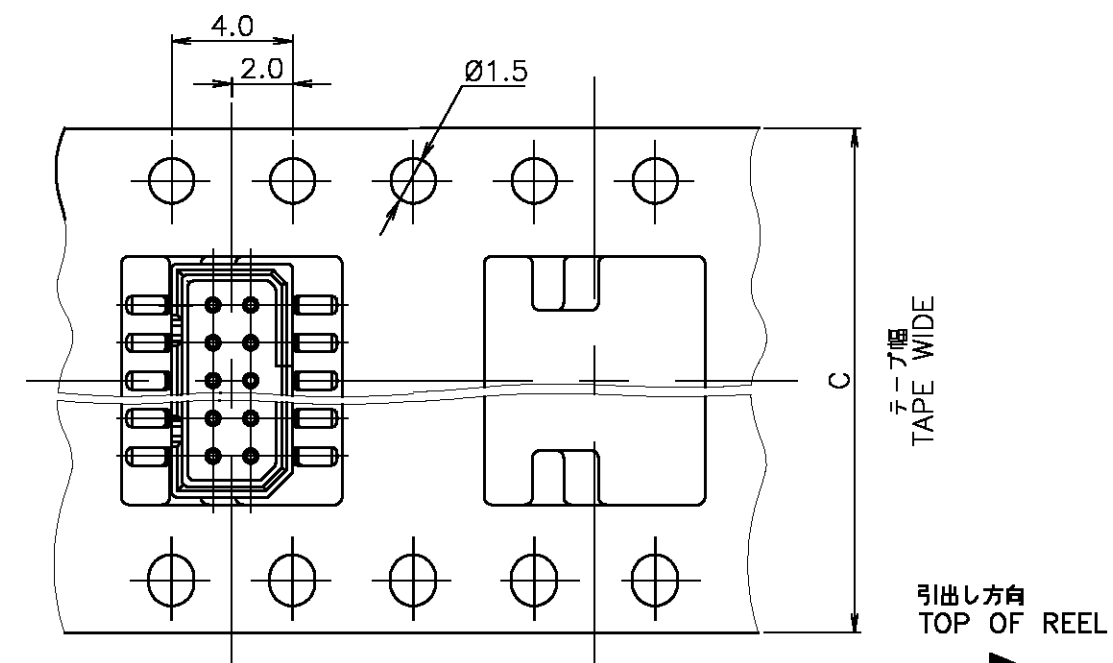


THIS DRAWING IS UNPUBLISHED. RELEASED FOR PUBLICATION
 © COPYRIGHT By -- ALL RIGHTS RESERVED.

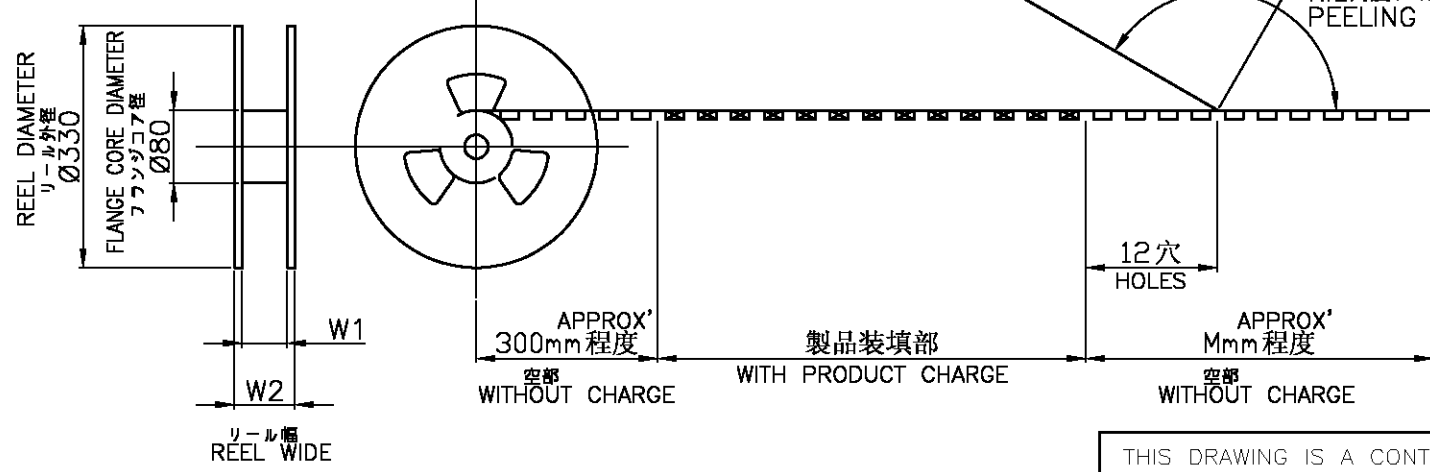
LOC	DIST	REVISIONS					
		P	LTR	DESCRIPTION	DATE	DWN	APVD
J		D		REVISED PER ECR-11-001310	21APR11	T.T	T.M



製品型番:3-177530-0 に適用
 APPLICABLE P/N:3-177530-0

製品型番:9-177530-0 に適用
 APPLICABLE P/N:9-177530-0

WEEDING THE COVER TAPE
 AROUND THE OUTER PERIPHERY
 IN A TURN.
 カバーテープ
 リーダー部
 外周一巻
 剝離角度、165°~180°
 PEELING ANGLE.



注記
 1. 包装規格:107-5123-5

NOTE
 1. PACKAGING SEPC:107-5123-5

鉛フリー
 LEAD FREE

↑	↑	↑	12	↑	5.45	4.25	1000	↑	9-912058-8	9-	↑	-0	9-	↑	-0
OBSOLETE	37	34	300	16	32	9.90	9.10	430	30	6-912055-1	3-176140-0		3-177530-0		
	W ₂	W ₁	M	P	C	B	A	数量 (m) QTY/REEL	位置 Pos.	エンボス型番 EMBOS TAPE P/N	コネクタ型番 CONNECTOR P/N		リール巻 コネクタ型番 TAPING P/N		

THIS DRAWING IS A CONTROLLED DOCUMENT.

DIMENSIONS: mm

TOLERANCES UNLESS OTHERWISE SPECIFIED:

Ø PLC	±	W1下: ±0.2
1 PLC	±	100µm W1下: ±0.25
2 PLC	±	300µm W1下: ±0.3
3 PLC	±	角: ±3°
4 PLC	±	

ANGLES: ±

MATERIAL: _____

FINISH: _____

WEIGHT: _____

CUSTOMER DRAWING

DWN: S.KANEKI 27MAR92

CHK: J.TANIGAWA 27MAR92

APVD: S.KUBOUCHI 02NOV98

PRODUCT SPEC

APPLICATION SPEC

WEIGHT

SCALE: _____

SHEET: 1 OF 1

REV: D

TE Connectivity

ON TAPING (EMBOSS) 1.25 F-P CONNECTOR (B-TO-B)
 DOUBLE ROW POST HDR ASS'Y SMT TYPE
 WITH BOSS - IMPROVED TYPE

SIZE: A3 CAGE CODE: 00779 DRAWING NO: C-177530 RESTRICTED TO: _____

Mouser Electronics

Authorized Distributor

Click to View Pricing, Inventory, Delivery & Lifecycle Information:

[TE Connectivity:](#)

[9-177530-0](#)