

PLEASE CHECK WWW.MOLEX.COM FOR LATEST PART INFORMATION

Part Number: [0008700001](#)
Status: **Active**
Description: 4.80mm Pitch Crimp Terminal, Female, Reel

Documents:

[Drawing \(PDF\)](#) [Product Specification PS-5025-002-001 \(PDF\)](#)
[Product Specification PS-5025-001-001 \(PDF\)](#) [RoHS Certificate of Compliance \(PDF\)](#)

General

Product Family Crimp Terminals
 Series [5005](#)
 Application Power
 Crimp Quality Equipment Yes
 Product Name N/A
 UPC 800753614277

Physical

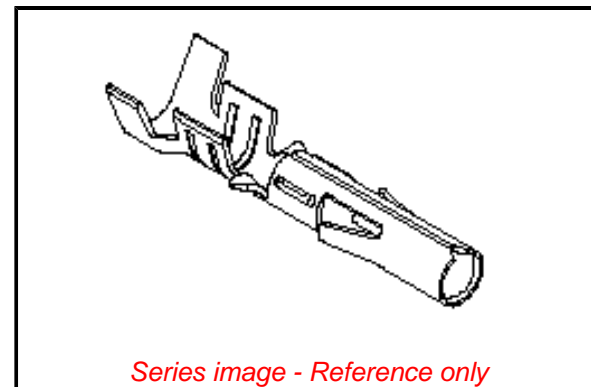
Gender Female
 Material - Metal Brass
 Material - Plating Mating Tin
 Material - Plating Termination Tin
 Net Weight 150.200/mg
 Packaging Type Reel
 Plating min - Mating 0.889µm
 Plating min - Termination 0.889µm
 Termination Interface: Style Crimp or Compression
 Wire Insulation Diameter 1.30-3.00mm
 Wire Size AWG 18, 20, 22, 24
 Wire Size mm² N/A

Material Info

Engineering Number 5005T

Reference - Drawing Numbers

Crimp Specification CS-5005~5006-001, CS-5005~5006-002
 Product Specification PS-5025-001-001, PS-5025-002-001
 Sales Drawing SD-5005X-051, SD-5005X-052



EU ELV

Not Relevant

EU RoHS

Compliant

REACH SVHC

Not Contained Per -
 D(2021)4569-DC (8
 July 2021)

Halogen-Free

Status

Low-Halogen

For more information, please visit [Contact US](#)

China ROHS

ELV

RoHS Phthalates

China RoHS

Green Image

Not Relevant

Not Contained

Search Parts in this Series

[5005 Series](#)

Mates With

[5006](#)

Use With

[5025 Receptacle](#)

Application Tooling | [FAQ](#)

Tooling specifications and manuals are found by selecting the products below. Crimp Height Specifications are then contained in the Application Tooling Specification document.

Global

Description	Product #
Terminator Die	11402064
Hand Crimp Tool for Standard 1.57mm Pin and Socket Crimp Terminals, 18-24 AWG	638191300
Mini-Mac Applicator	638936000

Japan

Description	Product #
Applicator for M211A Bench Press, 14-28 AWG Wire	<u>11260034</u>
S-1 Applicator for 4.80mm Pitch Male and Female Crimp Terminals, 18-24 AWG, Wire Insulation Diameter 2.30-3.00mm	<u>2023933700</u>
S-1 Applicator for 4.80mm Pitch Male and Female Crimp Terminals, 18-24 AWG, Wire Insulation Diameter 1.30-2.70mm	<u>2023933710</u>

This document was generated on 09/13/2021

PLEASE CHECK WWW.MOLEX.COM FOR LATEST PART INFORMATION

Mouser Electronics

Authorized Distributor

Click to View Pricing, Inventory, Delivery & Lifecycle Information:

[Molex:](#)

[08-70-0001](#) [08-70-0001 \(Cut Strip\)](#) [08-70-0001 \(Mouser Reel\)](#)