

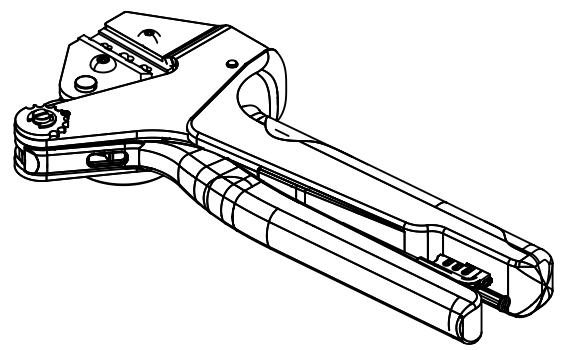
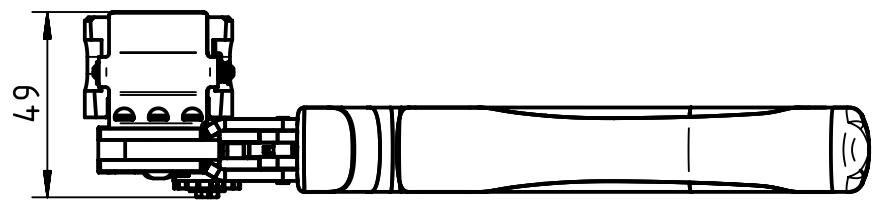
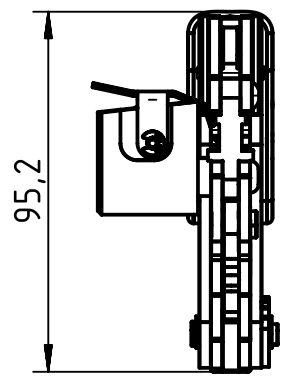
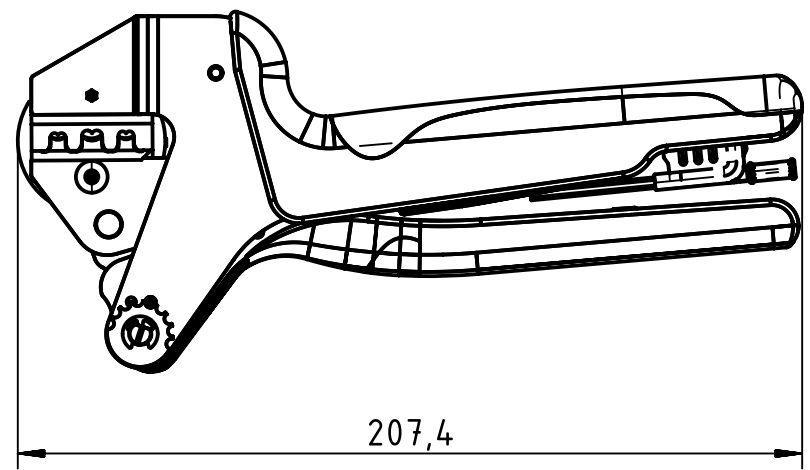
1 2 3 4 5 6

A

B


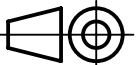
C

D



cross section range:

- profile 1 4mm²
- profile 2 10mm²
- profile 3 6mm²

	 All Dimensions in mm Original Size DIN A4	Scale 1:2	Free size tol.			Ref.
	All rights reserved Department EL PD - DE	Created by FINKEV	Inspected by RIEPE	Standardisation RUETERA	Date 2016-11-15	State Final Release
HARTING Electric GmbH & Co. KG D-32339 Espelkamp		Title Crimping tool Han-Fast Lock 4-10mm²				Doc-Key / ECM-Nr. 100515379/UGD/001/D 500000111398
		Type TB	Number 09 99 000 0831			Rev. D
					Page 1/1	

Mouser Electronics

Authorized Distributor

Click to View Pricing, Inventory, Delivery & Lifecycle Information:

[HARTING:](#)

[09990000831](#)