

PLEASE CHECK WWW.MOLEX.COM FOR LATEST PART INFORMATION

Part Number: **0190020014**
Status: **Active**
Overview: Standard Quick-Disconnect Terminals
Description: Avikrimp Fully Insulated Quick Disconnect, Female, for 18-22 AWG Wire, Mylar Tape

Documents:

| | |
|--|--|
| 3D Model | Product Specification PS-19902-014-001 (PDF) |
| Drawing (PDF) | Product Specification PS-19902-015-001 (PDF) |
| Product Specification PS-19902-011-001 (PDF) | RoHS Certificate of Compliance (PDF) |

Agency Certification

| | |
|-----|---------|
| CSA | LR18689 |
| UL | E79133 |

General

| | |
|-------------------------|--|
| Product Family | Quick Disconnects |
| Series | <u>19002</u> |
| Crimp Quality Equipment | Yes |
| Insulated | Fully |
| Overview | <u>Standard Quick-Disconnect Terminals</u> |
| Product Name | Avikrimp |
| Type | Quick Disconnect |
| UPC | 800753027114 |

Physical

| | |
|--------------------------------|-----------------------|
| Barrel Type | Closed |
| Color - Resin | Red |
| Flammability | 94V-2 |
| Gender | Female |
| Glow-Wire Capable | Yes |
| Insulation | Nylon (PA) |
| Lock to Mating Part | None |
| Material - Metal | Brass |
| Material - Plating Mating | Tin |
| Material - Plating Termination | Tin |
| Net Weight | 0.815/g |
| Orientation | Straight |
| Packaging Type | Adhesive Tape on Reel |
| Plating min - Mating | 4.064µm |
| Plating min - Termination | 4.064µm |
| Polarized to Mating Part | No |
| Tab Thickness | 0.51mm |
| Tab Width | 2.79mm |
| Temperature Range - Operating | -65° to +105°C |
| Termination Interface: Style | Crimp or Compression |
| Wire Insulation Diameter | 3.17mm max. |
| Wire Size AWG | 18, 20, 22 |

Electrical

| | |
|-------------------|------|
| Voltage - Maximum | 300V |
|-------------------|------|

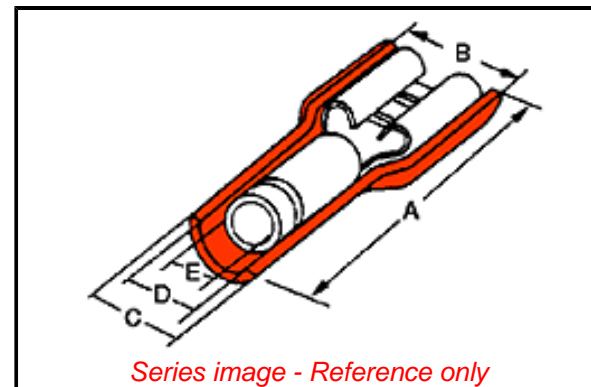
Solder Process Data

| | |
|------------------------------|-----|
| Lead-free Process Capability | N/A |
|------------------------------|-----|

Material Info

| | |
|--------------------|----------|
| Engineering Number | AA-5275T |
|--------------------|----------|

Reference - Drawing Numbers



EU ELV

Not Relevant

EU RoHS

Compliant

REACH SVHC

Not Contained Per -
ED/61/2018 (27 June
2018)

Halogen-Free

Status

Low-Halogen

For more information, please visit [Contact US](#)

China ROHS

ELV

RoHS Phthalates

China RoHS

Green Image

Not Relevant

Not Contained

Search Parts in this Series

19002 Series

Application Tooling | FAQ

Tooling specifications and manuals are found by selecting the products below. Crimp Height Specifications are then contained in the Application Tooling Specification document.

Global

| Description | Product # |
|--|------------------|
| ATP Crimp Dies for the Tape Crimp Module and ATP-101 & 301 Press | <u>192880028</u> |
| Mini-Mac Applicator | <u>638852000</u> |

Product Specification

Sales Drawing

PS-19902-011-001, PS-19902-014-001,
PS-19902-015-001
SD-19002-003

This document was generated on 11/28/2018

PLEASE CHECK WWW.MOLEX.COM FOR LATEST PART INFORMATION

Mouser Electronics

Authorized Distributor

Click to View Pricing, Inventory, Delivery & Lifecycle Information:

[Molex:](#)

[19002-0014](#)