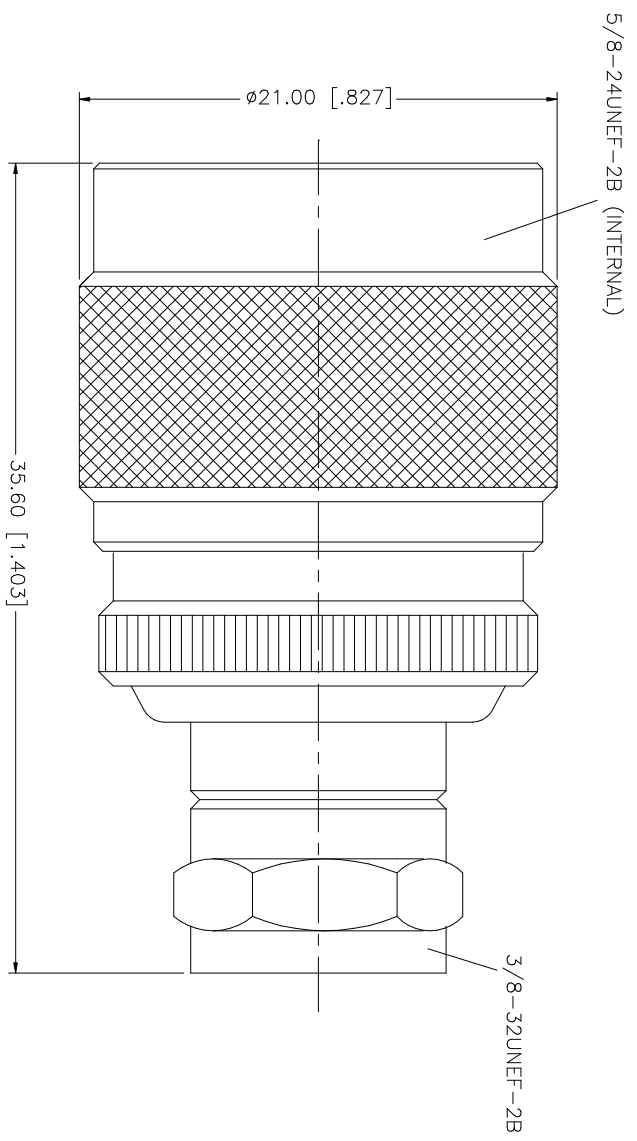


REV.	DATE	DESCRIPTION
A	09/25/03	MODIFY BODY LAYOUT



NO.	DESCRIPTION	MATERIAL	FINISH	QTY	UNLESS OTHERWISE SPECIFIED DIMENSIONS ARE IN INCHES AND FOR CUSTOMER REFERENCE ONLY. TOLERANCES FOR MILLING ARE:	UNLESS OTHERWISE SPECIFIED DIMENSIONS ARE IN INCHES AND FOR CUSTOMER REFERENCE ONLY. TOLERANCES FOR MILLING ARE:	APPROVALS	DATE	PART DESCRIPTION	DWG. NO.	REV.	SIZE	SCALE
8					0.5 - 8mm ± 0.20mm	0.020 - .315 = ± 0.007"	APPROVALS DRAWN G.R.S. CHECKED ISSUED SHEET 1 OF 1	09/25/03	Amphenol Connex N 50ohm MALE TO F 75ohm MALE ADAPTER	242157.DWG	A	A	NA
7				8 - 30mm ± 0.40mm	.315 - 1.180 = ± 0.015"								
6					30 - 120mm ± 0.50mm	1.180 - 4.724 = ± 0.020"							
5													
4													
3	CONTACT PIN	BRASS	GOLD	1									
2	INSULATOR	TEFLON	NATURAL	1									
1	BODY	BRASS	NICKEL	1									
	DESCRIPTION	MATERIAL	FINISH	QTY	DO NOT SCALE DRAWING				CAD FILE	C:/242/242157.DWG			

Mouser Electronics

Authorized Distributor

Click to View Pricing, Inventory, Delivery & Lifecycle Information:

[Amphenol:](#)

[242157](#)