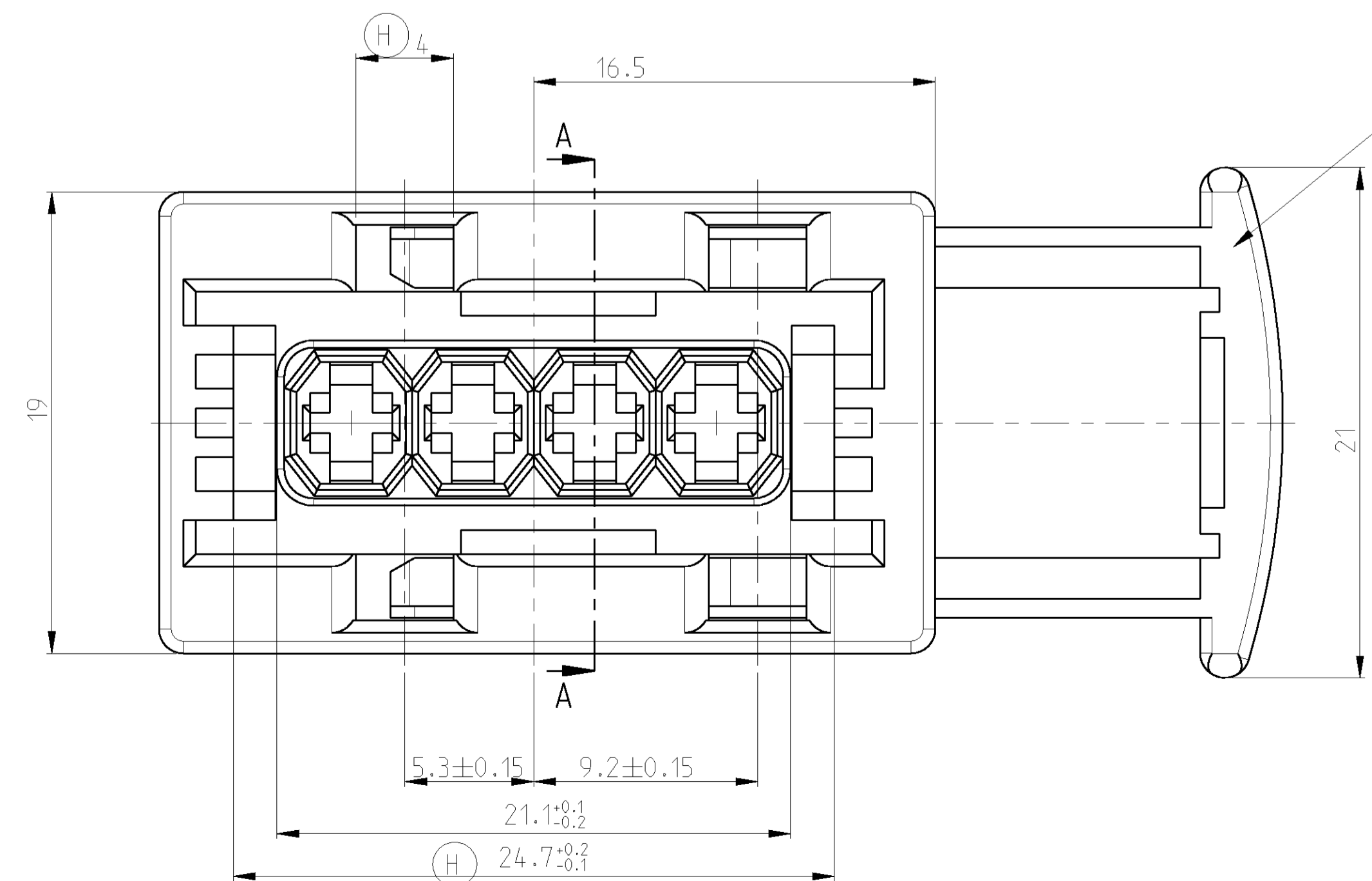
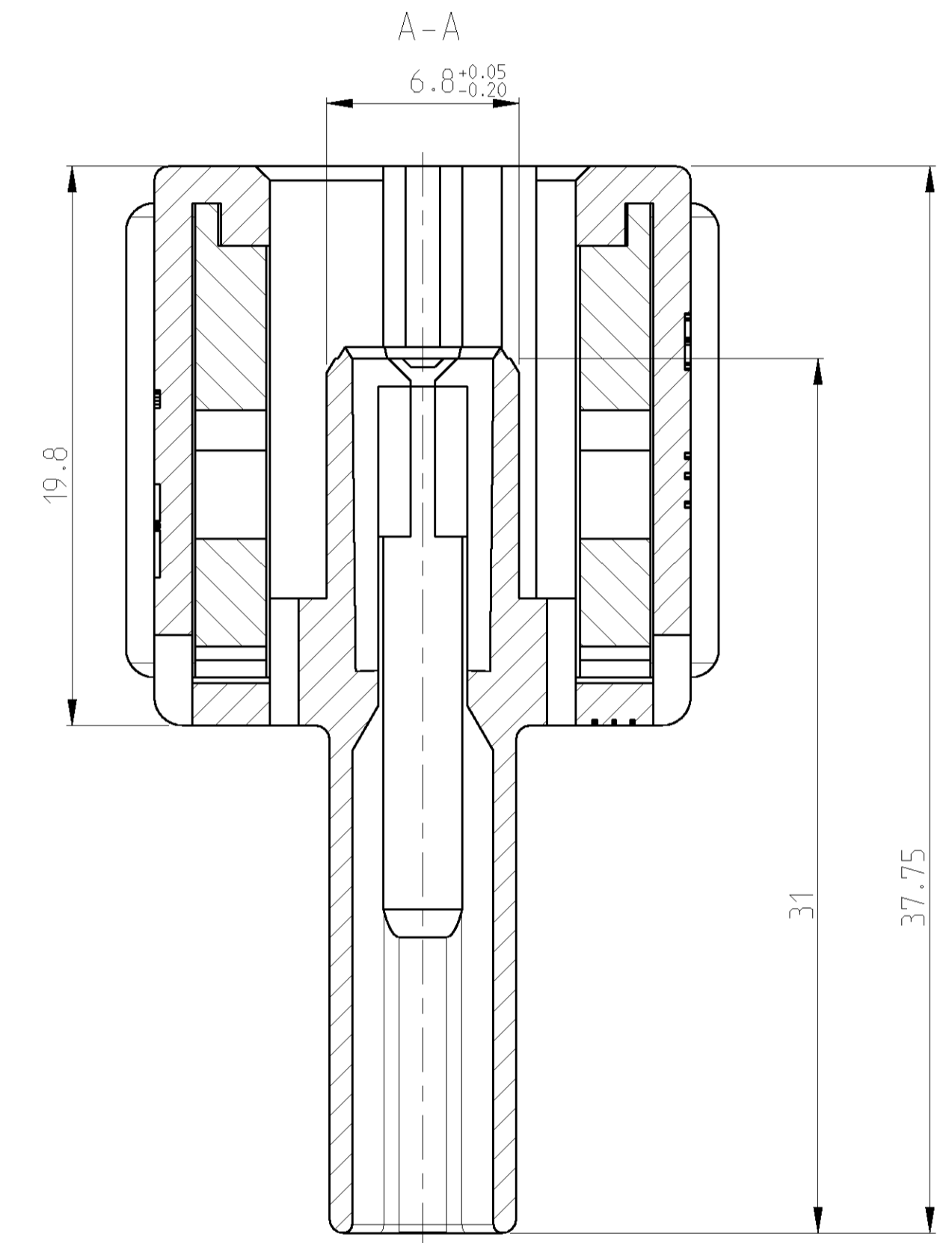
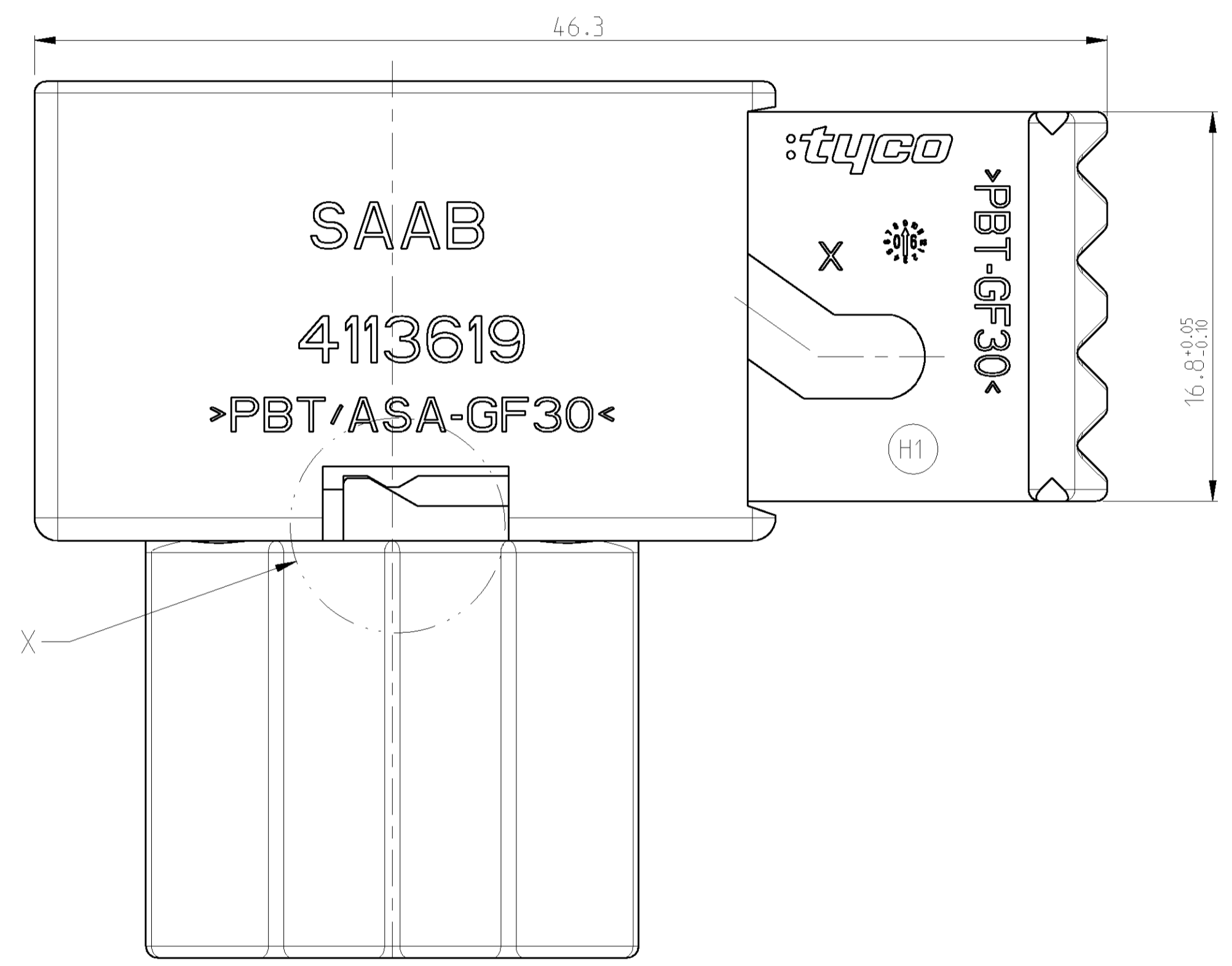
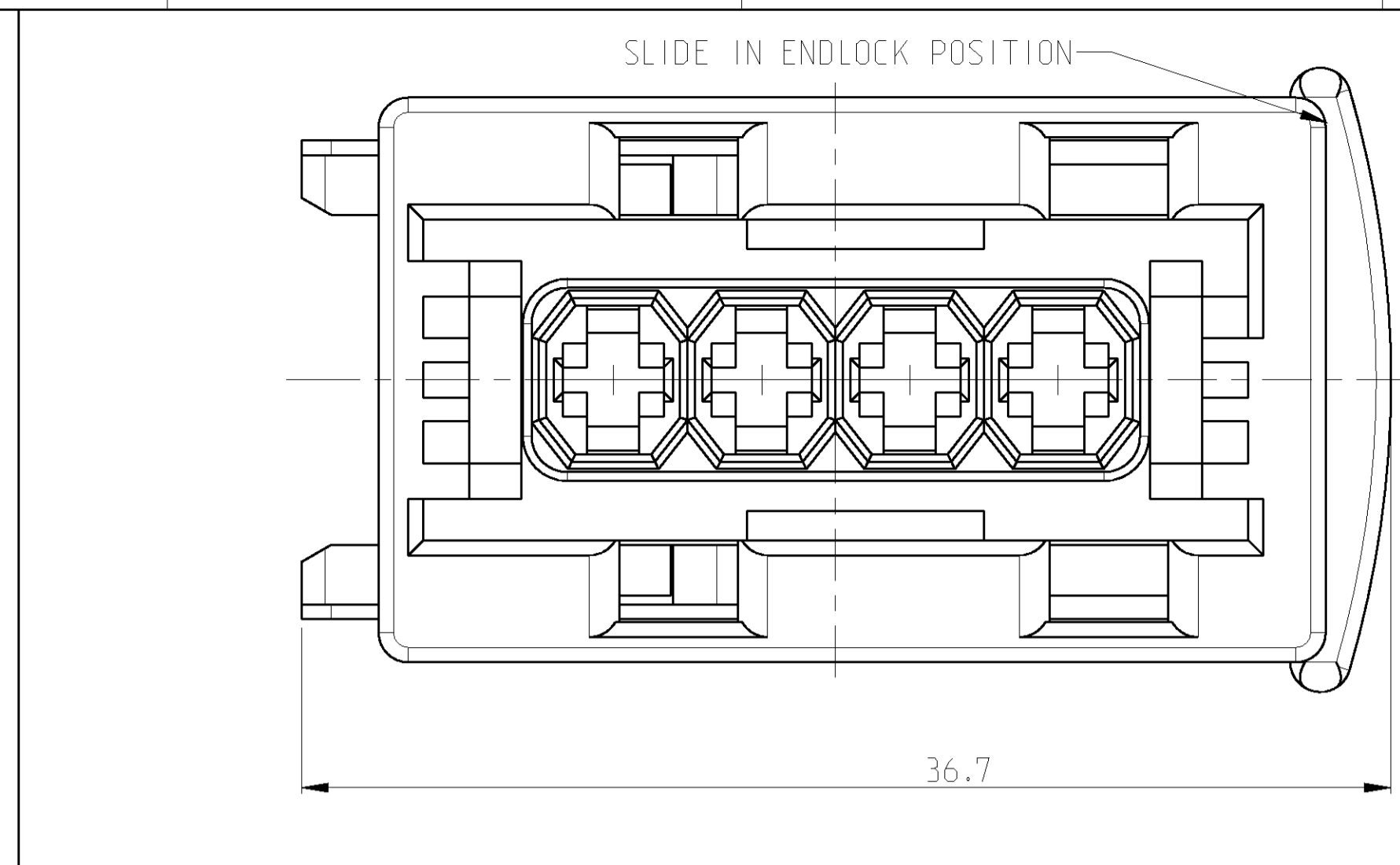
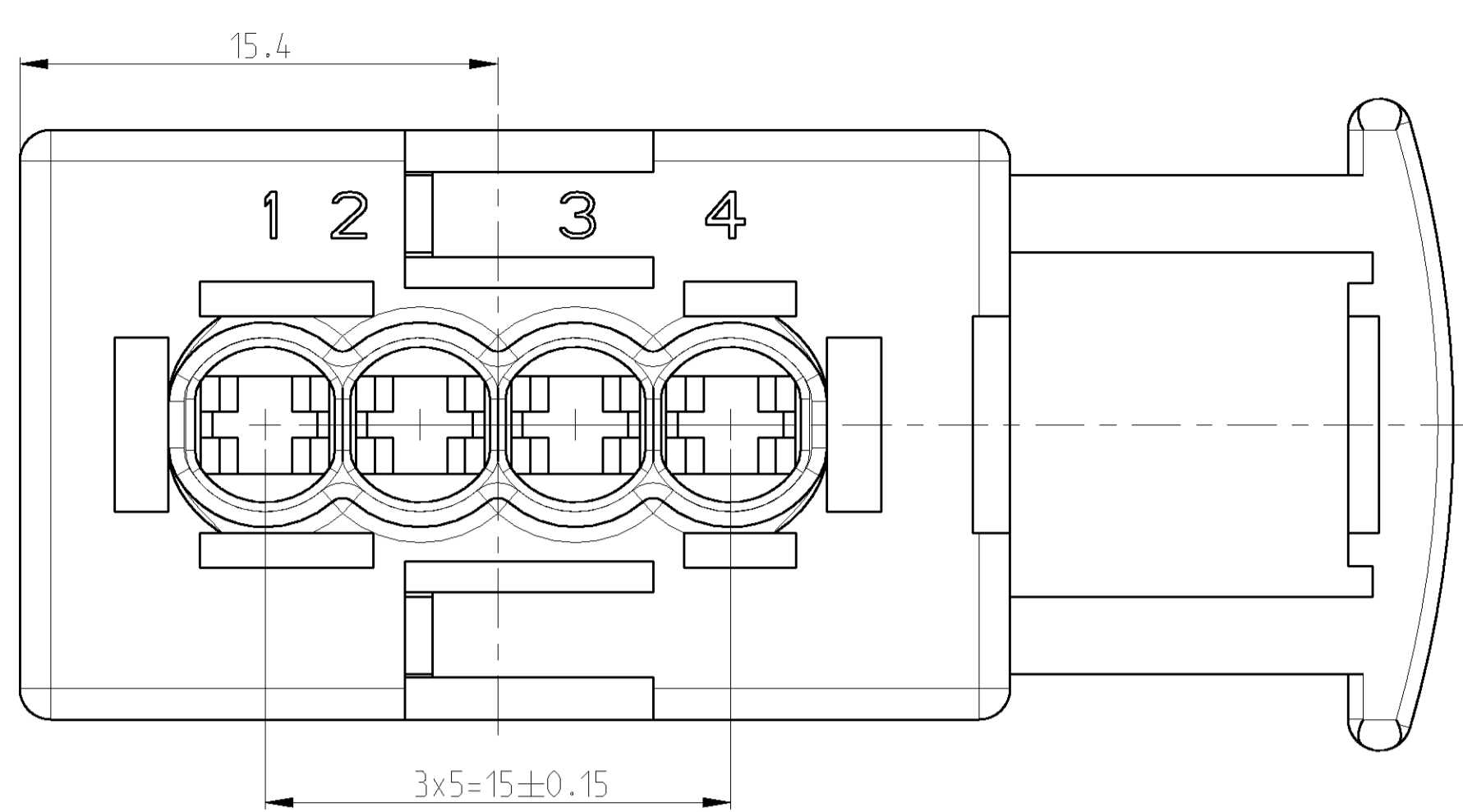
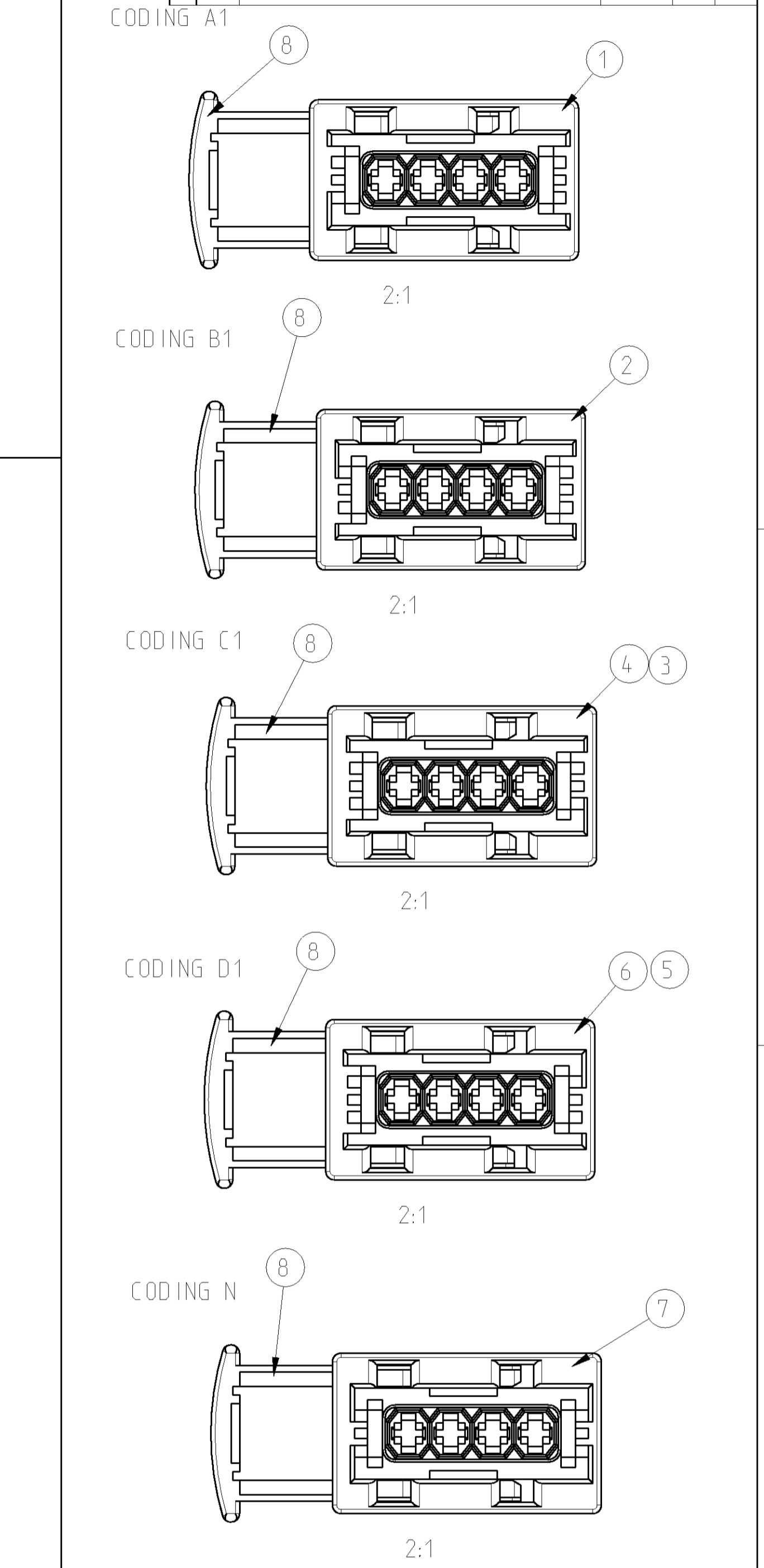


LOC	DIST	REV	DATE	BY	APPV
A1	-	H	25MAY2004	M.D.	T.K.
		H1	23AUG06	C.A.	T.K.



DELIVERY POSITION (G)
 CAUSED BY TRANSPORT
 THE POSITION OF THE SLIDE
 COULD CHANGE TO INTERMEDIATE
 OR CLOSED POSITION

CUSTOMER PART NO.	AMP PART NO.	REV.	PCS	MATERIAL	COLOR	DESCRIPTION	ITEM NO.
4113601	5-963207-1 CODING N	H	1	PBT-GF30	RED	SLIDE	8
			1	PBT+ASA-GF30	WHITE	JPT HSG., 4POS.	7
4113643	4-963207-2 CODING D1	H	1	PBT-GF30	RED	SLIDE	8
			1	PBT+ASA-GF30	GREEN	JPT HSG., 4POS.	6
4113643	4-963207-1 CODING D1	H	1	PBT-GF30	RED	SLIDE	8
			1	PBT+ASA-GF30	BROWN	JPT HSG., 4POS.	5
4113635	3-963207-2 CODING C1	H	1	PBT-GF30	RED	SLIDE	8
			1	PBT+ASA-GF30	GREEN	JPT HSG., 4POS.	4
4113635	3-963207-1 CODING C1	H	1	PBT-GF30	RED	SLIDE	8
			1	PBT+ASA-GF30	BLUE	JPT HSG., 4POS.	3
4113627	2-963207-1 CODING B1	H	1	PBT-GF30	RED	SLIDE	8
			1	PBT+ASA-GF30	GREY	JPT HSG., 4POS.	2
4113619	1-963207-1 CODING A1	H	1	PBT-GF30	RED	SLIDE	8
			1	PBT+ASA-GF30	BLACK	JPT HSG., 4POS.	1

tyco Electronics AMP GmbH
 JUNIOR POWER TIMER HOUSING, 4 POS.
 SCALE 5:1 SHEET 1 OF 1 REV. H1

Mouser Electronics

Authorized Distributor

Click to View Pricing, Inventory, Delivery & Lifecycle Information:

[TE Connectivity:](#)

[3-963207-1](#)