

THIS DRAWING IS UNPUBLISHED.

RELEASED FOR PUBLICATION NOV ,2003.

© COPYRIGHT 2003 By -

ALL RIGHTS RESERVED.

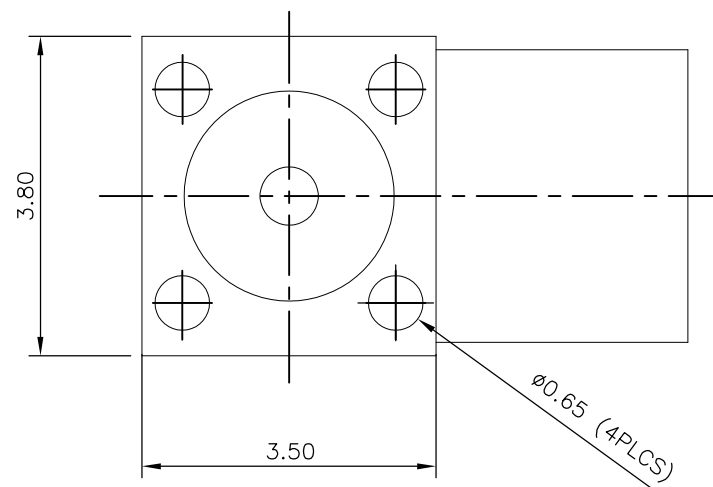
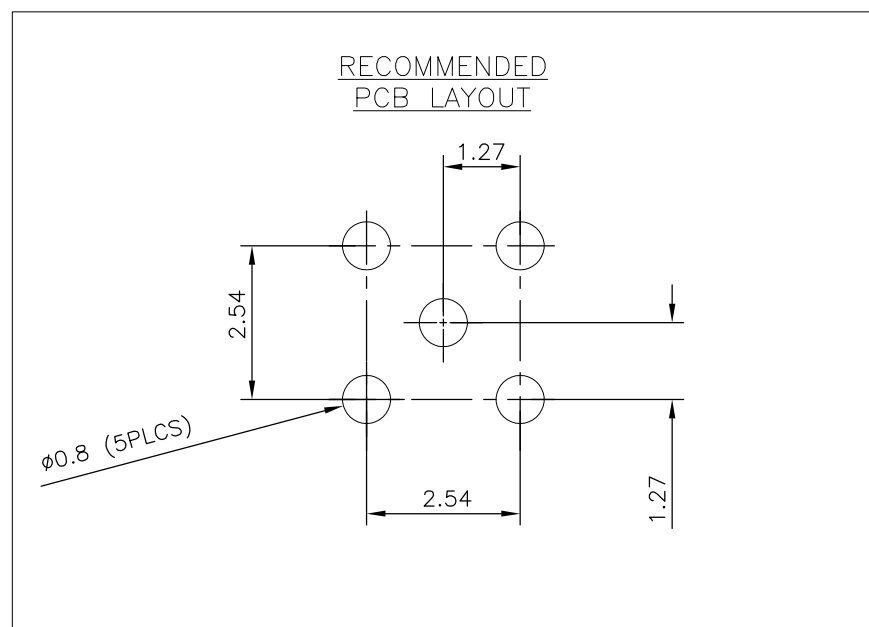
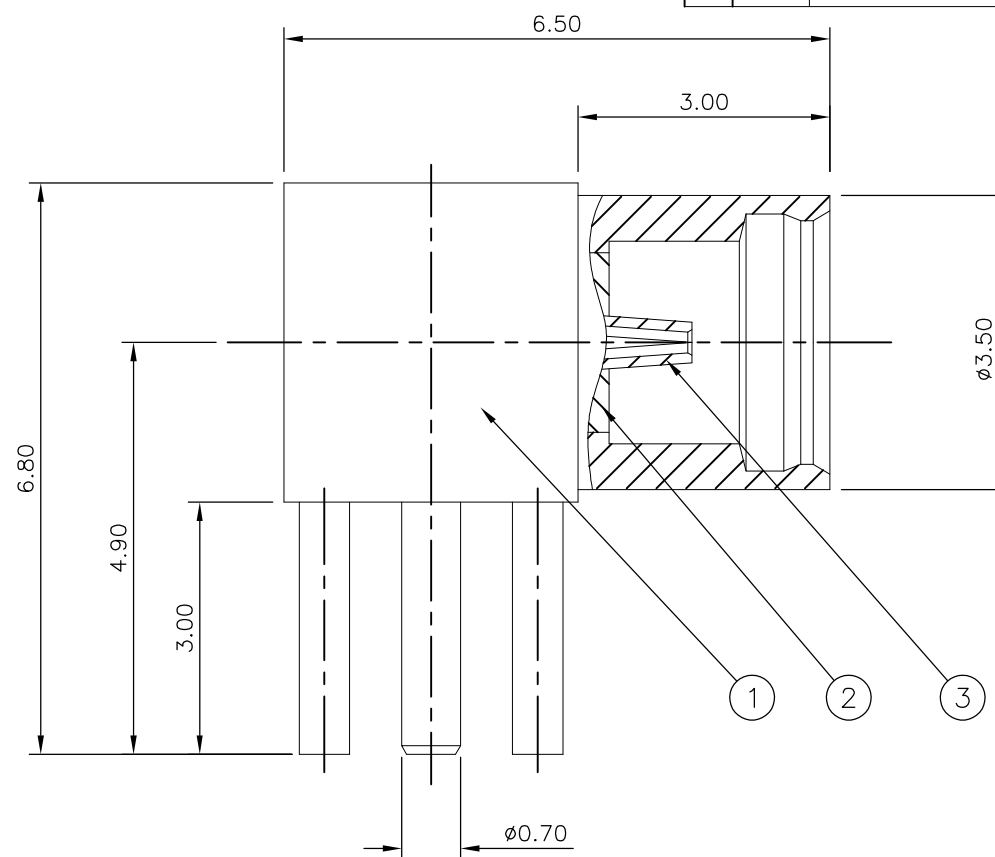
LOC	DIST	REVISIONS					
E	B	P	LTR	DESCRIPTION	DATE	DWN	APVD
			D2	REVISED PER ECO-14-015544	16OCT2014	RZ	MY

NOTES:

- 1 SINGLE PACK IN ACCORDANCE WITH AMP SPEC 107-3275
- 2 100 TRAY PACK IN ACCORDANCE WITH AMP SPEC 107-3275
- 3 Au PLATING OVER Ni PLATING OVER Cu PLATING
- 4. CHARACTERISTICS

FREQUENCY RANGE:	DC-6GHz
NOMINAL IMPEDANCE:	50 OHMS
WORKING VOLTAGE:	170V RMS
INSULATION RESISTANCE:	1000 MOHMS
DIELECTRIC WITHSTAND VOLTAGE:	500V RMS
CONTACT RESISTANCE:	5.0 mOHMS
CENTRE CONTACT	
- 5. MECHANICAL CHARACTERISTICS

DURABILITY:	500 CYCLES
-------------	------------
- 6. FOR TECHNICAL DATA REFER TO YOUR LOCAL TE CONNECTIVITY SALES OFFICE
- 7. ALL DIMENSIONS ARE NOMINAL FOR REFERENCE ONLY UNLESS OTHERWISE STATED



	1	1	BERYLLIUM COPPER	SOCKET	3
	1	1	PTFE	INSULATOR	2
	1	1	BRASS	BODY	1
	6--0	1--0	MATERIAL	DESCRIPTION	ITEM
QUANTITY PER ASSY			PARTS LIST		

THIS DRAWING IS A CONTROLLED DOCUMENT.		DWN	J.SANDWELL	12NOV03	TE Connectivity												
DIMENSIONS: mm		CHK	S.PARLOW	12NOV03													
TOLERANCES UNLESS OTHERWISE SPECIFIED:		APVD	F.WHEELER-KING	12NOV03													
<table border="0"> <tr><td>0 PLC</td><td>± -</td></tr> <tr><td>1 PLC</td><td>± -</td></tr> <tr><td>2 PLC</td><td>± -</td></tr> <tr><td>3 PLC</td><td>± -</td></tr> <tr><td>4 PLC</td><td>± -</td></tr> <tr><td>ANGLES</td><td>± -</td></tr> </table>		0 PLC	± -	1 PLC			± -	2 PLC	± -	3 PLC	± -	4 PLC	± -	ANGLES	± -	PRODUCT SPEC	108-3462
0 PLC	± -																
1 PLC	± -																
2 PLC	± -																
3 PLC	± -																
4 PLC	± -																
ANGLES	± -																
MATERIAL	SEE TABLE	FINISH	SEE TABLE	APPLICATION SPEC	411-3280	SIZE	A3	CAGE CODE	00779	DRAWING NO	C-1634010	RESTRICTED TO	-				
CUSTOMER DRAWING						SCALE	NTS	SHEET	1 OF 1	REV	D2						

Mouser Electronics

Authorized Distributor

Click to View Pricing, Inventory, Delivery & Lifecycle Information:

[TE Connectivity:](#)

[6-1634010-0](#)