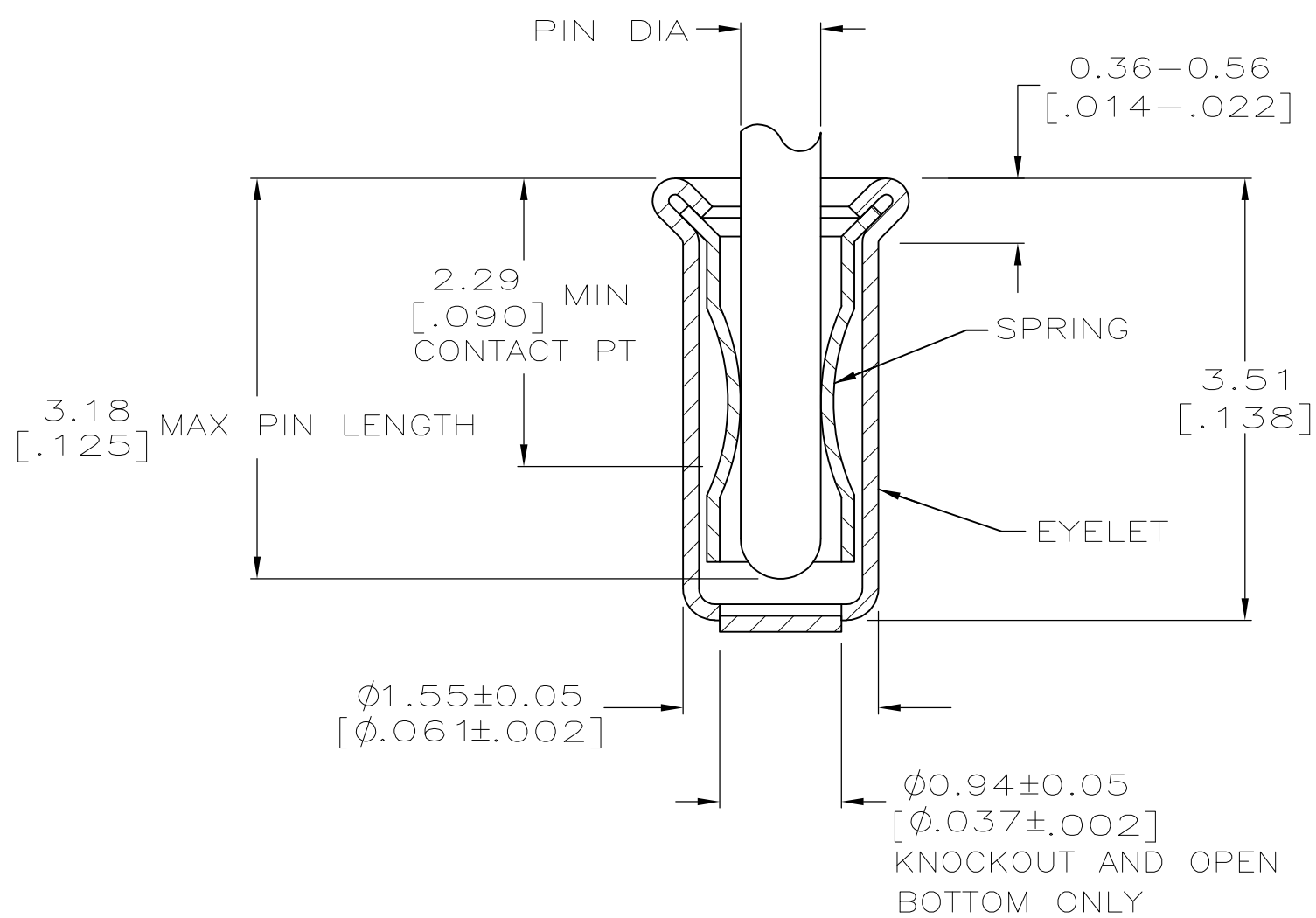
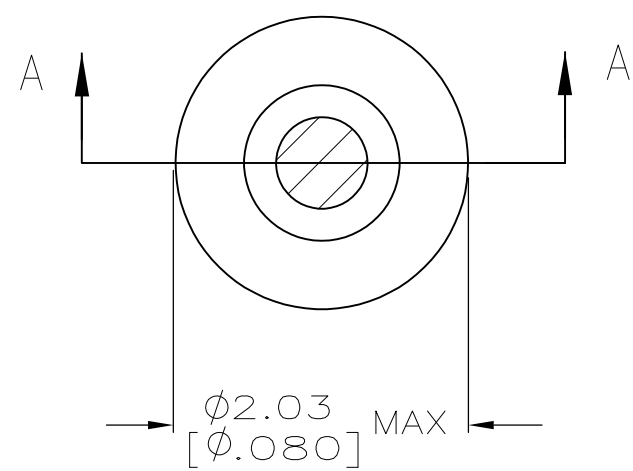


THIS DRAWING IS UNPUBLISHED. RELEASED FOR PUBLICATION  
 © COPYRIGHT - By - ALL RIGHTS RESERVED.

LOC		DIST		REVISIONS			
P	LTR	DESCRIPTION		DATE	DWN	APVD	
GP	00	P		REVISED PER ECO-11-004835	07MAR11	RK HMR	



SECTION A-A

- 1. TIN PLATE PER ASTM B 545 0.00254 [.000100] MIN THICK.
- 2. GOLD PLATE PER ASTM B 488 0.00076 [.000030] MIN THICK OVER NICKEL PLATE PER QQ-N-290 0.00028 [.000011] MIN THICK ON CONTACT AREA.
- 3. RECOMMENDED HOLE SIZE, PLATED OR UNPLATED:  
 MACHINE INSERTION: 1.57 <sup>+0.10</sup>/<sub>-0.08</sub> [.062 <sup>+0.004</sup>/<sub>-0.003</sub>]  
 HAND INSERTION: 1.60 <sup>+0.10</sup>/<sub>-0.00</sub> [.063 <sup>+0.004</sup>/<sub>-0.000</sub>]
- 4. APPLICATION TOOL PART NUMBER: MACHINE NO. 682127-4  
 INSERTION HEAD NO. 682039-3
- 5. TO INSURE PROPER SPRING TENSION DO NOT EXCEED A 0.05 [.002] DIFFERENCE IN PIN DIA WHEN CHANGING TO A SMALLER PIN.
- 6. BOTTOM PLUG KNOCKOUT TOOL PART NUMBER 69729 WITH TIP PART NUMBER 69728-1.
- 7. MATERIAL: BERYLLIUM COPPER PER ASTM B 194  
 EYELET: COPPER PER ASTM B 152
- 8. OBSOLETE PARTS: OBSOLETE CIS STREAMLINING PER D.RENAUD/D.SINISI

8	OBSOLETE	PIN DIA		FINISH	PART NO
		OPEN	CLOSED		
		0.76-0.84 [.030-.033]	0.66-0.74 [.026-.029]	TIN 1	GOLD 2
		0.76-0.84 [.030-.033]	0.66-0.74 [.026-.029]		
		0.76-0.84 [.030-.033]	0.66-0.74 [.026-.029]	TIN 1	TIN 1
		0.76-0.84 [.030-.033]	0.56-0.64 [.022-.025]		
		0.76-0.84 [.030-.033]	0.76-0.84 [.030-.033]		
		RECOMMENDED PIN DIA 5			

THIS DRAWING IS A CONTROLLED DOCUMENT.		DWN A. FERNANDEZ-DOCK5 22APR2005	TE Connectivity	
DIMENSIONS: mm [INCHES]		CHK J. HAVENER 22APR2005	NAME MINIATURE SPRING SOCKET ASSEMBLY	
TOLERANCES UNLESS OTHERWISE SPECIFIED: 0 PLC ± - 1 PLC ± - 2 PLC ± - 3 PLC ± 0.20 [.008] 4 PLC ± - ANGLES ± -		APVD J. HAVENER 22APR2005	PRODUCT SPEC 108-14008	
MATERIAL NOTE 7		FINISH SEE TABLE	APPLICATION SPEC 114-13152	RESTRICTED TO -
		WEIGHT -	SIZE A2	CAGE CODE 00779
		CUSTOMER DRAWING	SCALE 20:1	SHEET 1 of 1

# Mouser Electronics

Authorized Distributor

Click to View Pricing, Inventory, Delivery & Lifecycle Information:

[TE Connectivity:](#)

[3-5331677-4](#)