

TW2867

OBSOLETE PRODUCT
RECOMMENDED REPLACEMENT PARTS
 TW2867C, TW2984, TW2964, TW2965

www.renesas.com/products/TW2867

FN7748

Rev. 0.00

December 8, 2010

4-Channel Video Decoders and Audio Codecs for Security Applications

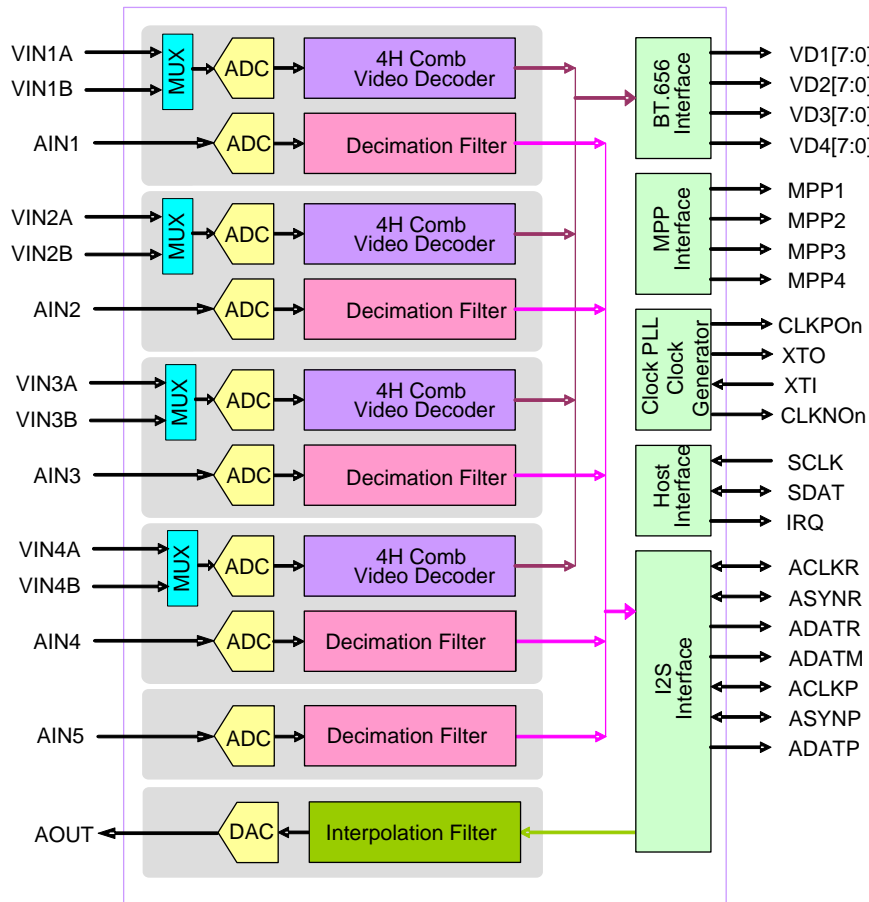
The TW2867 includes four high quality NTSC/PAL/SECAM video decoders that convert analog composite video signal to digital component YCbCr data for security applications. Each channel contains 10-bit ADC and proprietary clamp and gain controllers and utilizes 4H comb filter for separating luminance and chrominance to reduce cross noise artifacts. The TW2867 adopts the image enhancement techniques such as IF compensation filter, CTI and programmable peaking. The TW2867 also includes audio CODEC, which has five audio analog-to-digital converters and one digital-to-analog converter. A built-in audio controller can generate digital outputs for recording/mixing and accepts digital input for playback.

- Supports I2S/DSP master/slave interface for record output and playback input
- PCM 8-/16-bit and u-Law/A-Law 8-bit for audio word length
- Programmable audio sample rate that covers popular frequencies of 8/16/32/44.1/48kHz
- Supports a two-wire serial host interface
- Integrated clock PLL for 108MHz clock output
- Ultra low power consumption (typical 431.88mW)
- 128 pin LQFP package

Features

- Accepts all NTSC (M/4.43) / PAL (B/D/G/H/I/K/L/M/N/60)/SECAM standards with auto detection
- Integrated four video analog anti-aliasing filters and 10-bit CMOS ADCs
- High performance adaptive 4H comb filters for all NTSC/PAL standards
- IF compensation filter for improvement of color demodulation
- Color Transient Improvement (CTI)
- Automatic white peak control
- Programmable hue, saturation, contrast, brightness and sharpness
- Proprietary fast video locking system for non-realtime application
- Supports the standard ITU-R BT.656 format or time multiplexed output with 54/108MHz
- Provides simultaneous four channel full D1 and CIF time-multiplexed outputs with 54MHz
- Integrated five audio ADCs and one audio DAC
- Provides multichannel audio mixed analog output

Block Diagram



© Copyright Intersil Americas LLC 2010. All Rights Reserved.

All trademarks and registered trademarks are the property of their respective owners.

For additional products, see www.intersil.com/product_tree

Intersil products are manufactured, assembled and tested utilizing ISO9001 quality systems as noted in the quality certifications found at <http://www.intersil.com/en/support/qualandreliability.html>

Intersil products are sold by description only. Intersil may modify the circuit design and/or specifications of products at any time without notice, provided that such modification does not, in Intersil's sole judgment, affect the form, fit or function of the product. Accordingly, the reader is cautioned to verify that datasheets are current before placing orders. Information furnished by Intersil is believed to be accurate and reliable. However, no responsibility is assumed by Intersil or its subsidiaries for its use; nor for any infringements of patents or other rights of third parties which may result from its use. No license is granted by implication or otherwise under any patent or patent rights of Intersil or its subsidiaries.

For information regarding Intersil Corporation and its products, see <http://www.intersil.com>