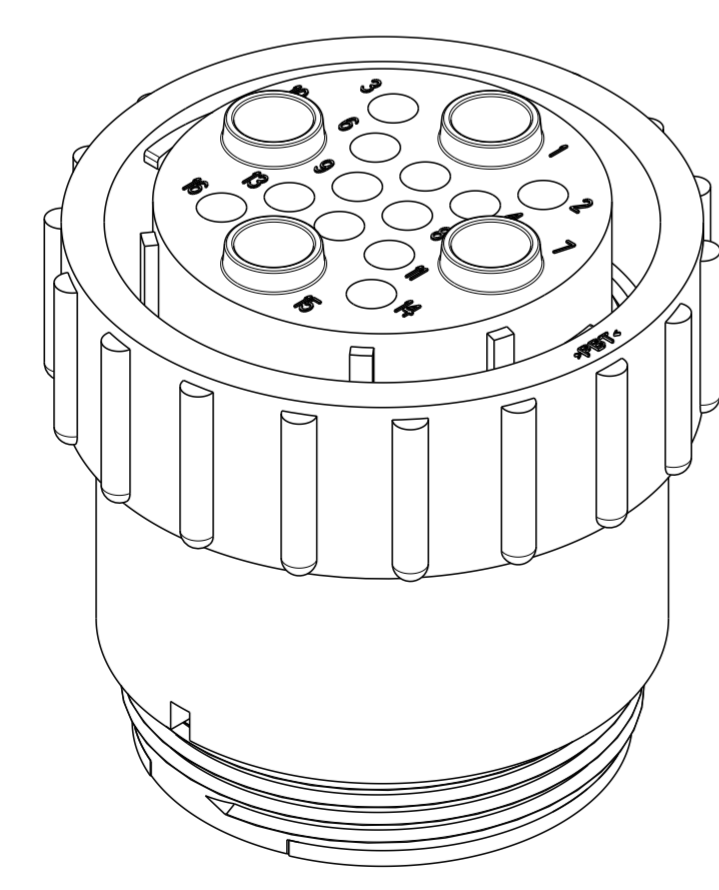
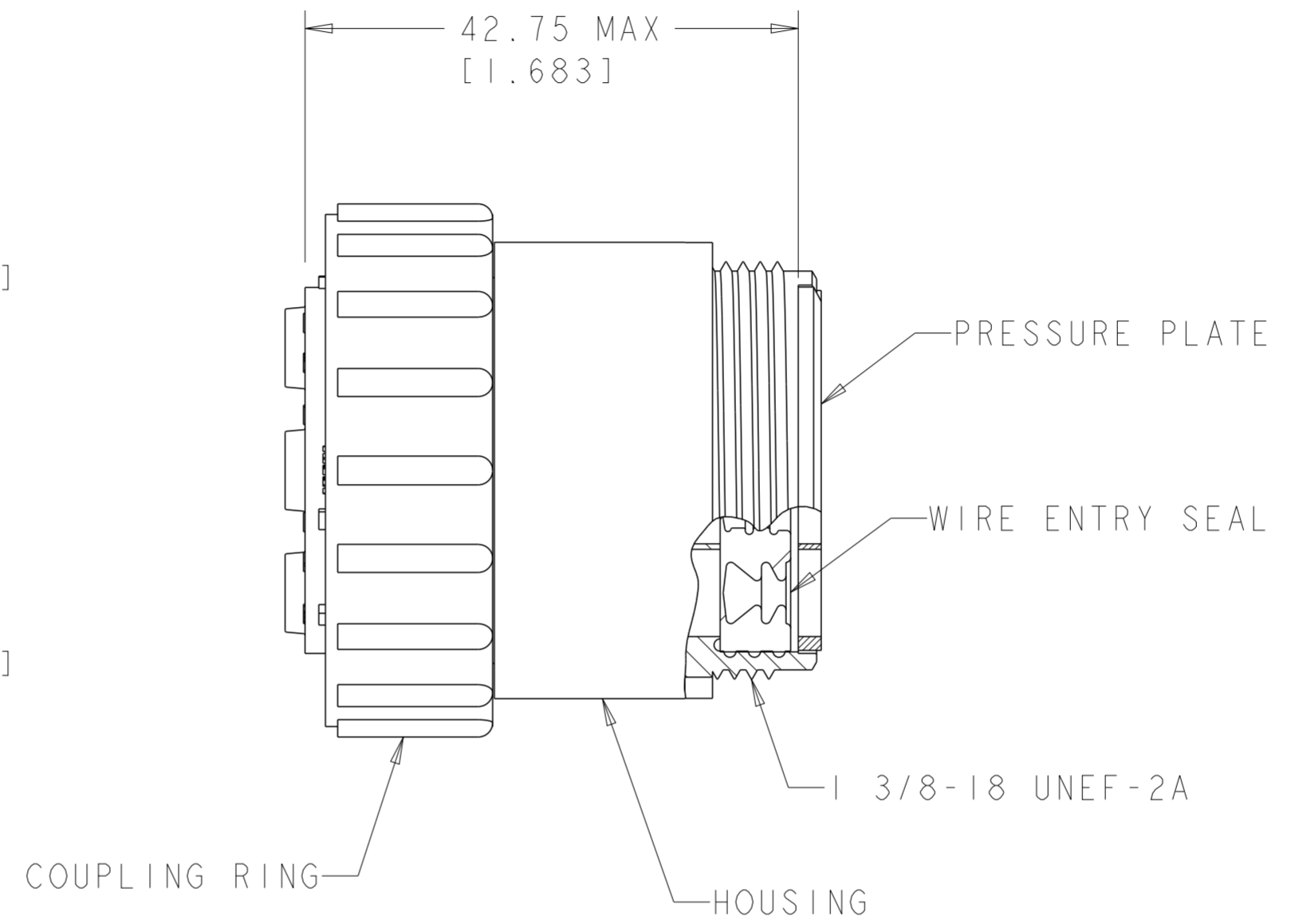
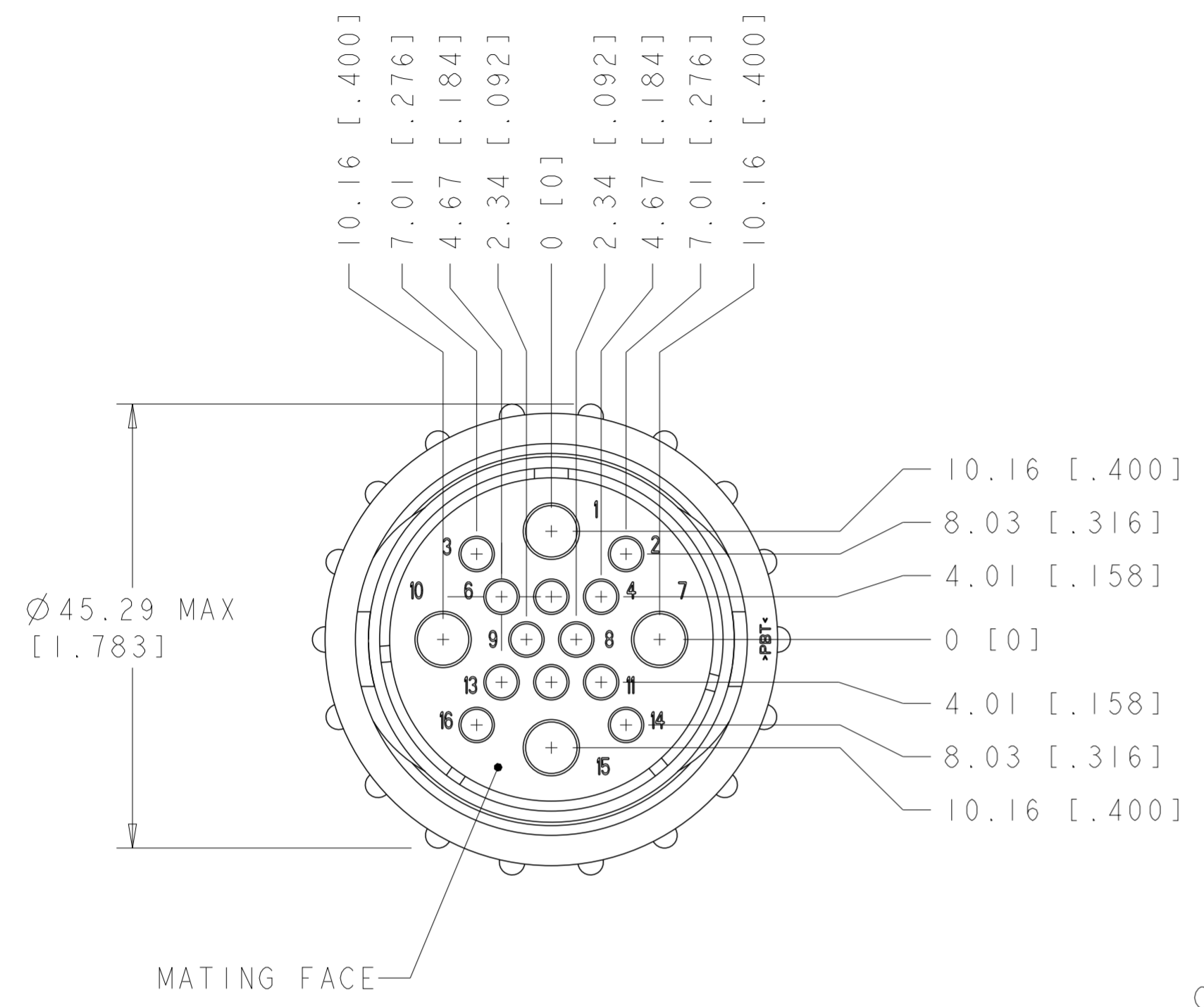


THIS DRAWING IS UNPUBLISHED. RELEASED FOR PUBLICATION
 © COPYRIGHT 20 BY - ALL RIGHTS RESERVED.

LOC		DIST		REVISIONS			
P	LTR	DESCRIPTION	DATE	DWN	APVD		
	A	NEW DRAWING PER ECO-12-018480	15NOV2012	KH	MZ		



- 1 HOUSING & PRESSURE PLATE: NYLON, BLACK.
 WIRE ENTRY SEAL: ELASTOMER, RED-IRON OXIDE.
 COUPLING RING: POLYESTER, BLACK.
- 2. CONNECTOR WILL ACCEPT (12) MULTIMATE SOCKET AND (4) POWER SOCKET CONTACTS.

STD	1977892-1
WIRE ENTRY SEAL	PART NUMBER

THIS DRAWING IS A CONTROLLED DOCUMENT.		DWN	15NOV2012	TE Connectivity			
DIMENSIONS: mm [INCHES]		CHK	15NOV2012				
TOLERANCES UNLESS OTHERWISE SPECIFIED:		APVD	15NOV2012				
0 PLC ± 1 PLC ± 2 PLC ±0.02 3 PLC ± 4 PLC ± ANGLES ± FINISH		NAME	CPC PLUG ASSEMBLY, SERIES 6 SEALED, 23-16 STANDARD SEX UV RESISTANT				
MATERIAL	1	PRODUCT SPEC	108-1579	SIZE	CAGE CODE	DRAWING NO	RESTRICTED TO
		APPLICATION SPEC	-	A2	00779	C-1977892	-
		WEIGHT	-	SCALE	2:1	SHEET	1 OF 1
		CUSTOMER DRAWING				REV	A

Mouser Electronics

Authorized Distributor

Click to View Pricing, Inventory, Delivery & Lifecycle Information:

[TE Connectivity:](#)

[1977892-1](#)